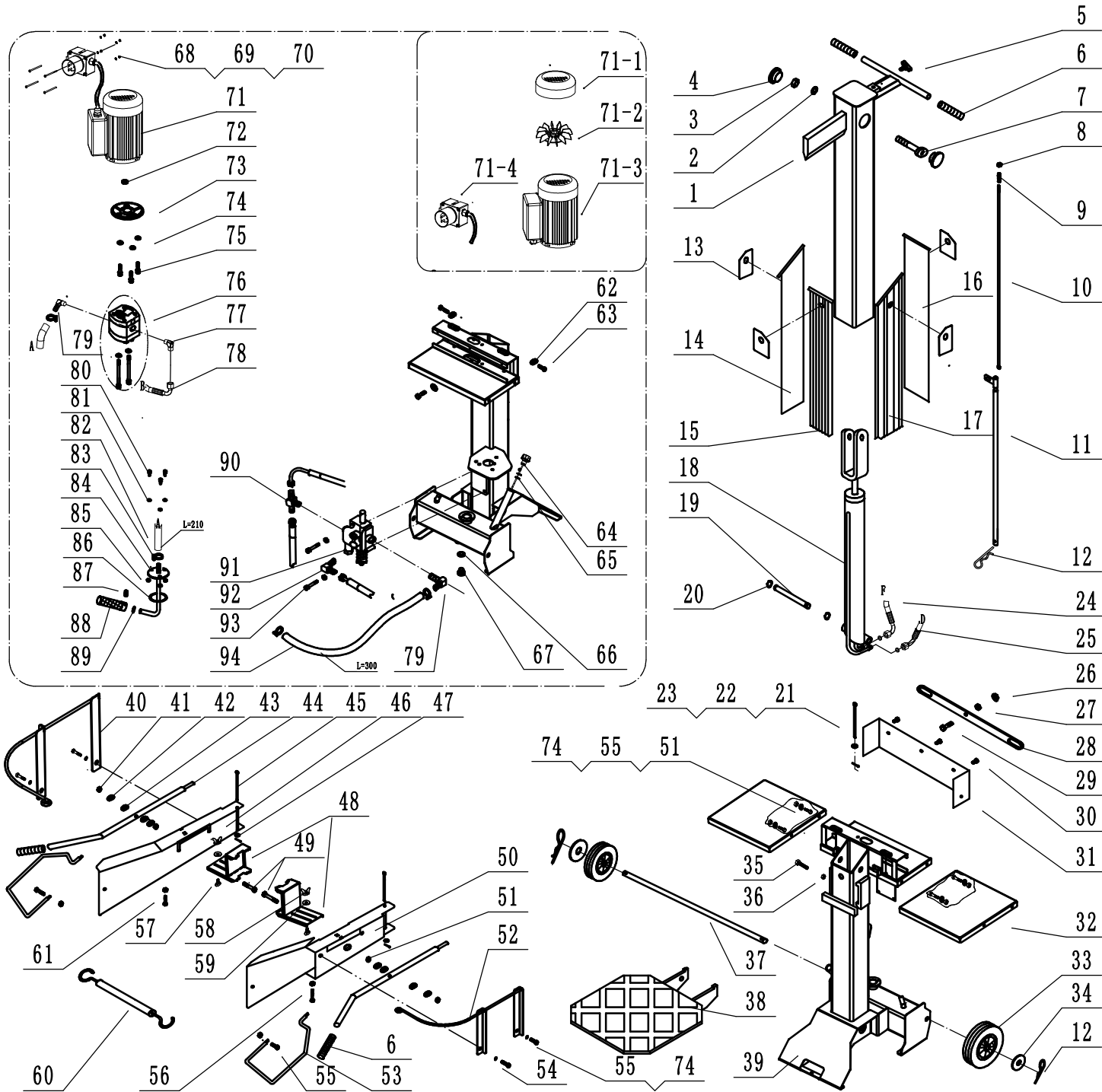


EXPLODED DRAWING
 LS6000C/DC550-6JL
 20190327



Part List LS6000C/DC550-6JL

20190327

pos. no	Description	Qty
1	Knife column	1
2	Spring washer 20	1
3	Nut M20	1
4	plug	2
5	screw	1
6	Handle grip	4
7	Screw 20x55	1
8	Locking nut M8	1
9	spring	1
10	Valve rod	1
11	Bushing for valve rod	1
12	pin	3
13	Adjusting washer	4
14	Sliding pad-left	1
15	Sliding pad-back	1
16	Sliding pad-front	1
17	Sliding pad-right	1
18	Cylinder	1
19	Cylinder axle	1
20	Spindle circlip 20	2
21	B-type pin	1
22	Flat washer	1
23	pin	3
24	Oil pipe	1
25	Oil pipe	1
26	Nut M6	1
27	Nut M6	1
28	seesaw plate	1
29	Bolt 6x25	1
30	Screw 5x8	3
31	protector guard	1
32	Log storage table	2
33	Wheel	2
34	Flat washer	2

35	Bolt M10x35	1
36	Locking nut M10	1
37	wheel axle	1
38	Work table	1
39	Main frame	1
40	Hand protector-left	1
41	locking nut M8	4
42	Flat washer	4
43	Washer	4
44	handle	2
45	pin -B type	2
46	Handle guard- left	1
47	Flat washer	2
48	Log claw- left&right	2
49	Bolt 8x45	2
50	Handle guard-right	1
51	Nut M8	8
52	Hand protector- right	1
53	Hand protector- left&right	2
54	Bolt 8x20	2
55	Bolt 8x16	4
56	Bolt 8x40	1
57	Nut M8	2
58	nut M8	2
59	Rubber belt	16
60	Rubber belt	1
61	Bolt 8x30	1
62	Flat washer	3
63	Bolt 6x8	3
64	oil sticker	1
65	oil seal O-ring 15x2.65	2
66	oil seal O-ring	1
67	plug	1
68	Screw 4X60	4
69	Washer 4	4
70	nut 4	4
71	motor/230V	1
71-1	motor fan cover	1

71-2	Flying fan	1
71-3	Motor w/out switch	1
71-4	Switch/230V	1
72	connector	1
73	Motor base C	1
74	Spring washer 8	5
75	Screw 8x30	3
76	Pump 1.6D	1
77	Elbow	1
78	Oil pipe	1
79	Elbow	2
80	Screw 6x20	3
81	Spring washer 6	3
82	Oil pipe- 0.21	1
83	Pipe hoop	4
84	Oil pipe	1
85	Locking nut M6	3
86	O-ring 27x2.65	1
87	Screw 6x6	1
88	Filter cpl	1
89	O-ring 14x2.65	1
90	T-type connector	1
91	Vavle G	1
92	Elbow	1
93	Screw 8x35	2
94	Oil pipe -0.3	1