








# H190T

## Technical data



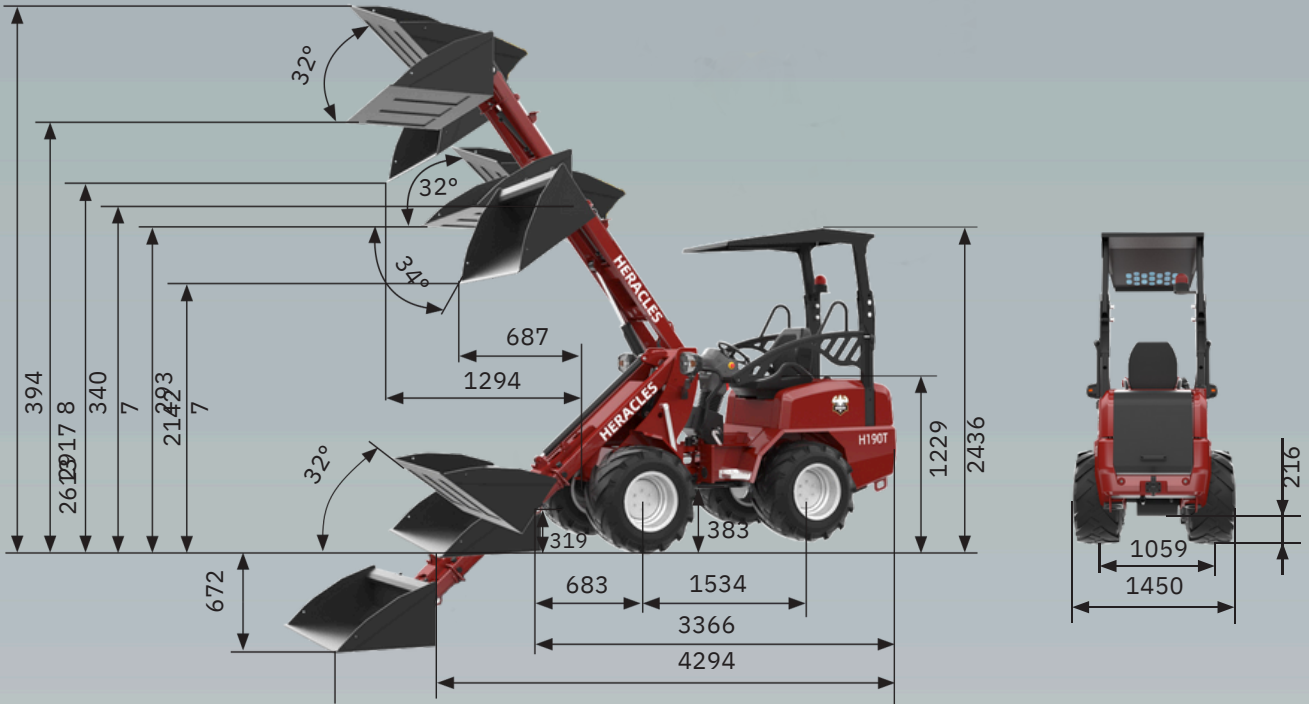
 Max Lifting Capacity <b>1200</b> kg	 Engine Power <b>28.2</b> kw	 Travel Speed <b>20</b> km/h	 Hydraulic Flow <b>40</b> l/min	 Max Lifting Height <b>3.5</b> m
--	--	--	---	--



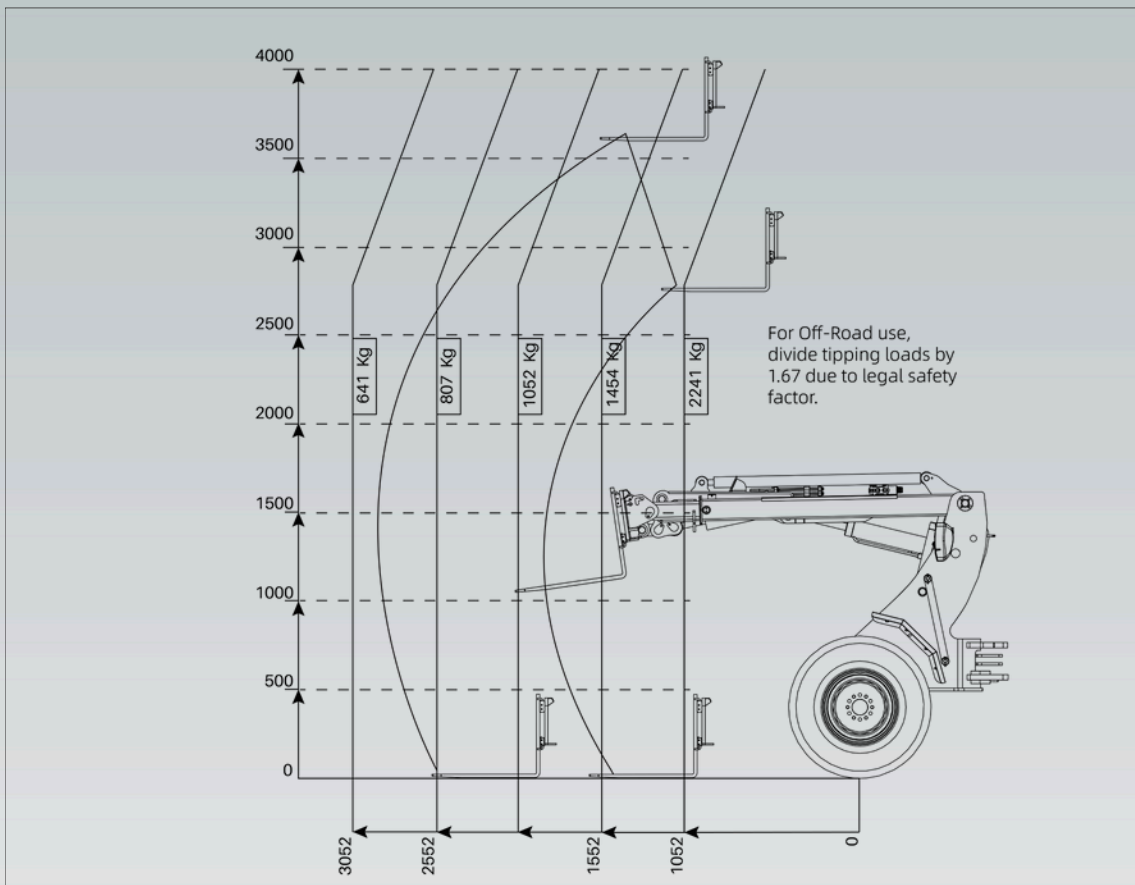
Technical data	H190T	
	YANMAR	
	3TNV88-BWTY	
Engine model Fuel type	Diesel	
Cylinders	3	
Displacement cc Emission		
standards Max engine output kW	EU Stage V	
Max engine torque Nm		
Cooling system	18.4@2000rpm	
Operating voltage V	107.1@1200rpm	
Battery Ah	Water	
Operating weight kg	12	
Tipping load ,max kg	70	
Lifting capacity,max kg	2500	
Operator's cab	1500	
Travel speed km/h	1200	
Steering angle °	Canopy	
Turn radius inside/outside mm	0~20	
Standard tires	45	
Fuel tank capacity l	1124/3030	
Hydraulic oil tank capacity l	10.0/75-15.3	
Working hydraulic flow l/min	30	
Working hydraulic pressure bar	30	
Transmission type	40	
	200	
	Hydrostatic	

# H190T

## Dimensions/mm



Tires size	Height	Width
10.0/75-15.3	2513	1160
400/60-15.5		1340



Products will continue to be optimized, so the technical data on this page may not be updated in real time.  
 For more information at: [www.heracles.eu](http://www.heracles.eu)  
 Or contact us (contact information is on the back cover).