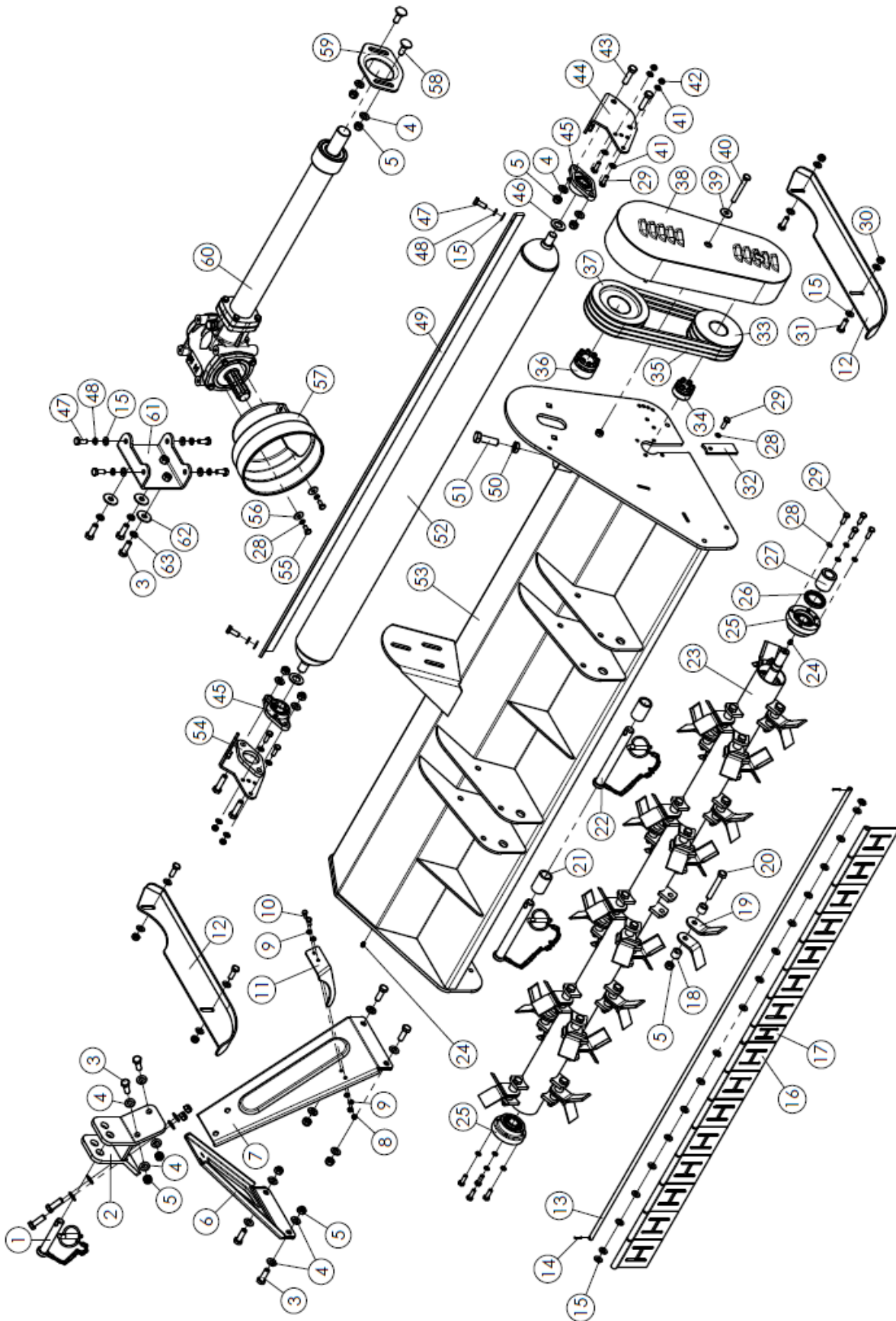


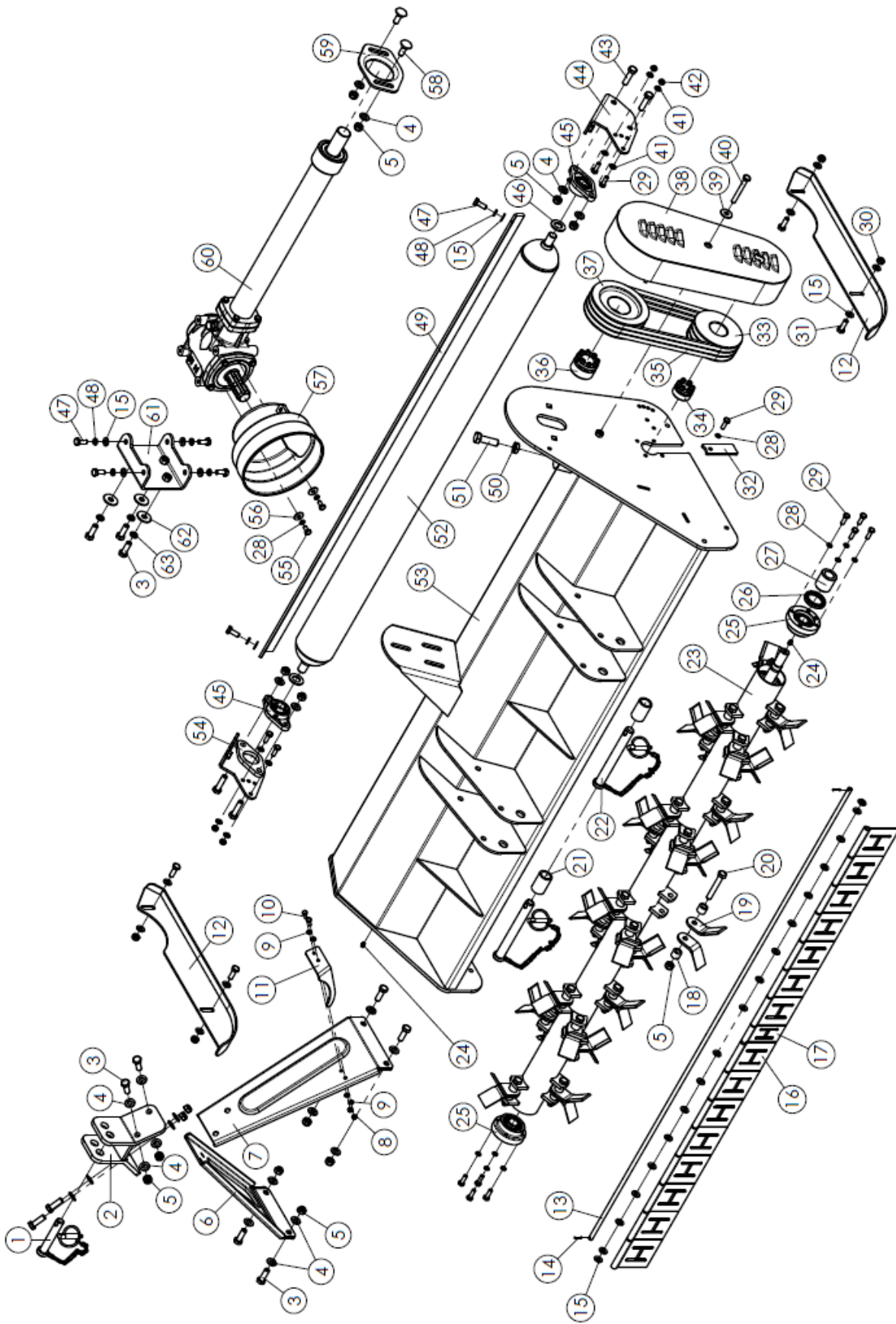
5.1 Flail Mower Assembly



Flail Mower Assembly

Ser.No	Part No	Name and Specification	Quantity	Remarks
1	EF100.00.019	Pin shaft weldment	1	
2	EF100.00.018	Bracket weldment	1	
3	GB5783-86	Hex. head bolt M12x35	11	
4	GB97.1-85	Plain washer 12	22	
5	GB6184-2000	Hex. nut M12	41	
6	EF100.00.020	Suspension plate(right)	1	
7	EF100.00.016	Suspension plate(left)	1	
8	GB6184-2000	Hex. nut M 6	2	
9	GB97.1-85	Plain washer 6	4	
10	GB5783-86	Hex. head bolt M 6x20	2	
11	EFR105.105	Hook	1	
12	EFN125.00.028	Base plate	2	
13	EF100.00.123	Shaft (or (ender	1	
14	GB879.1-2000	Elastic cylindrical pin 4x20	2	
15	GB97.1-85	Plain washer 10	32	
16	EF100.00.122	Fender	15	
17	EF100.00.121	Fender	1	
18	EF100.00.101	Sleeve	54	
19	EFR105.102	Blade	54	
20	GB5782-86	Hex. head bolt M12x80	27	
21	EF100.00.106	spacer	2	
22	EF100.00.014	Pin shaft weldment	2	
23	EF100.00.011	Blade axle	1	
24	GB1152	Grease nipple M6	2	
25	EF100.00.012	Bearing with flange UC205	2	
26	GB9877.1-88	Oil seal FB-40x55x8	1	
27	EF100.00.109A	Sleeve	1	
28	GB93-87	Spring lock washer 8	11	
29	GB5783-86	Hex. head bolt M 8x25	13	
30	GB6184-2000	Hex. nut M10	4	
31	GB5783-86	Hex. head bolt M10x30	4	
32	EFN125.00.202	Fender	1	
33	EF100.00.110A	Belt wheel (little)	1	
34	JB / T7934Z3	swellable sleeve 22x47	1	
35	GB1171-74	Belt A930	3	
36	JB / T7934Z3	swellable sleeve 35x60	1	

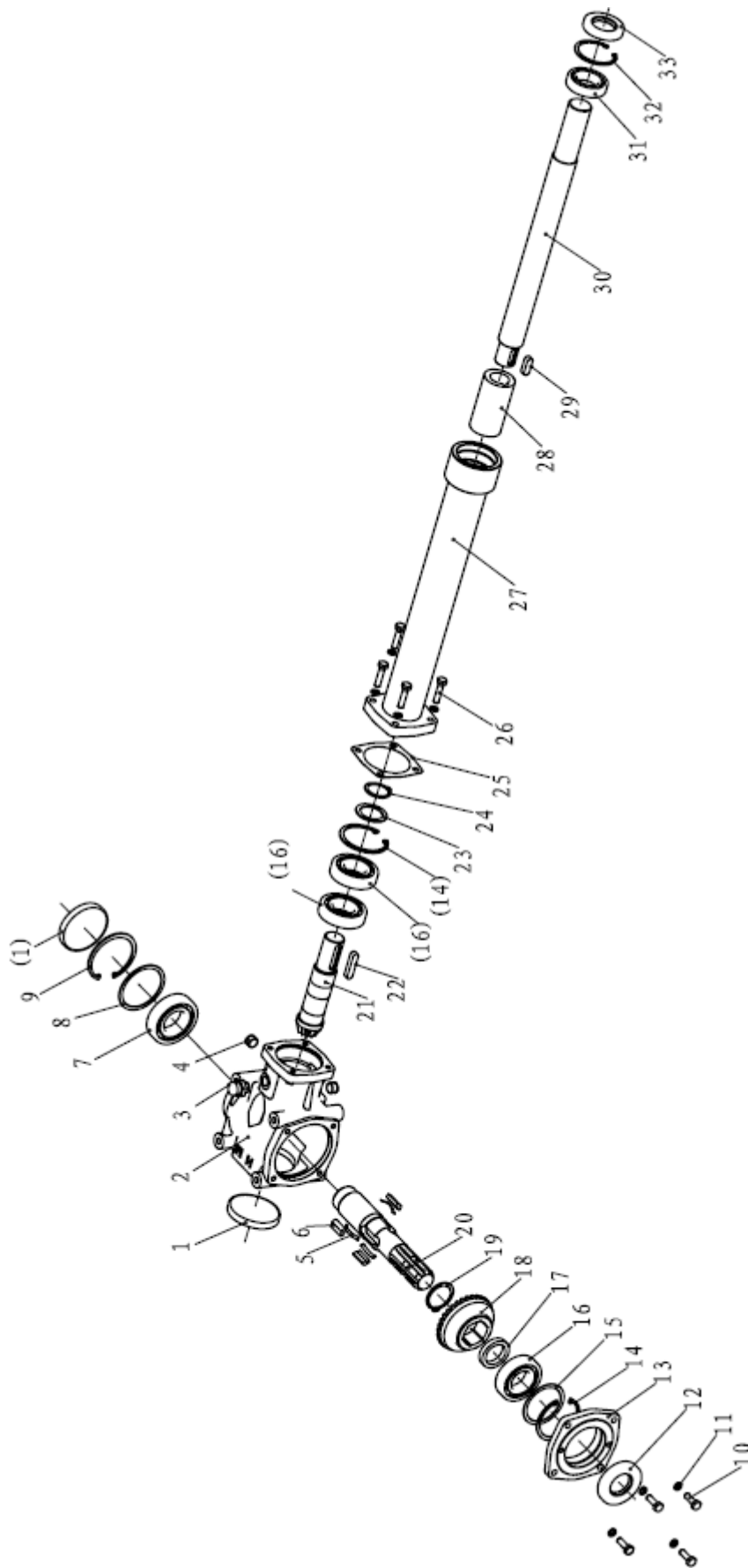
5.1 Flail Mower Assembly



Flail Mower Assembly

Ser.No	Part No	Name and Specification	Quantity	Remarks
37	RK120.113A	Belt wheel (large)	1	
38	EF100.00.021	Belt cover	1	
39	GB96.2-2002	Plain washer 10	1	
40	GB5782-86	Hex. head bolt M10×80	1	
41	GB97.1-85	Plain washer 8	16	
42	GB6184-2000	Hex. nut M 8	4	
43	GB5782-86	Hex. head bolt M12×45	4	
44	EFN125.00.031	Supporting (or roller (L))	1	
45	GB7810-1995	Bearing with flange UCFL204	2	
46	GB97.1-85	Plain washer 20	2	
47	GB5783-86	Hex. head bolt M10×25	4	
48	GB93-87	Spring lock washer 10	6	
49	RKH120-J01	Mud shield	1	
50	GB6172-86	Hex. nut M16	1	
51	GB5783-86	Hex. head bolt M16×60	1	
52	EFR105.025A	roller	1	
53	EFN155.00.013	Blade axle cover	1	
54	EFN125.00.032	Supporting (or roller (R))	1	
55	GB5783-86	Hex. head bolt M 8×16	2	
56	GB96.2-2002	Plain washer 8	2	
57	EF100.00.115	Guard shade	1	
58	GB12-88	Hex. head bolt M12×35	2	
59	EFN125.00.201	Tension plate	1	
60	EFN155.01.001	Gearbox	1	
61	EFN125.00.015	Gearbox seat	1	
62	GB96.2-2002	Plain washer 12	3	
63	GB93-87	Spring lock washer 12	3	

5.2 Gearbox assembly



Gearbox Assembly

Ser.No	Part No	Name and Specification	Quantity	Remarks
1	NFG_RCA	Blocked patch 80X10	2	
2	1GQR-125-101	Case	1	
3	FM120-00-199	Breather	1	
4	DUSAI	Retainer 3/8-19	2	
5	AG14-01-C07	Spring	3	
6	SL100-01-110	Key	3	
7	GB276	Bearing 6208	1	
8	TZDP	Adjusting shim 80×70×1	1	
9	GB893.1	Circlip 80	1	
10	GB5783	Hex. head bolt M 8×25	4	
11	GB93	Spring lock washer 8	8	
12	GB9877.1-88	Oil seal 35X80X10	1	
13	SL100-01-107	Bearing cover	1	
14	GB893.1	Circlip 72	2	
15	TZDP	Adjusting shim 72×60×0.4	1	
16	GB276	Bearing 6207	3	
17	SL100-01-115	Sleeve	1	
18	SL100-01-112	Bevel gear	1	
19	GB894.1	Circlip 42	1	
20	EFN100-101	Input shaft	1	
21	EFN100-102	Output shaft	1	
22	GB1096 A	Key 10×45	1	
23	TZDP	Adjusting shim 48×35×1.5	1	
24	GB894.1	Circlip 35	1	
25	SL100-01-103	Paper gasket	1	
26	GB5783	Hex. head bolt M 8×35	4	
27	RK120-026	Shaft tube Weldment	1	
28	EF100-01-101	Connected sleeve	1	
29	GB1096 A	Key 10×30	1	
30	RK120-166	Transmission shaft	1	EFN125-145
30	EFN100-103	Transmission shaft	1	EFN155-165
31	GB276	Bearing 6007	1	
32	GB893.1	Circlip 62	1	
33	GB9877.1-88	Oil seal 35X62X10	1	