



HE18 Spare parts

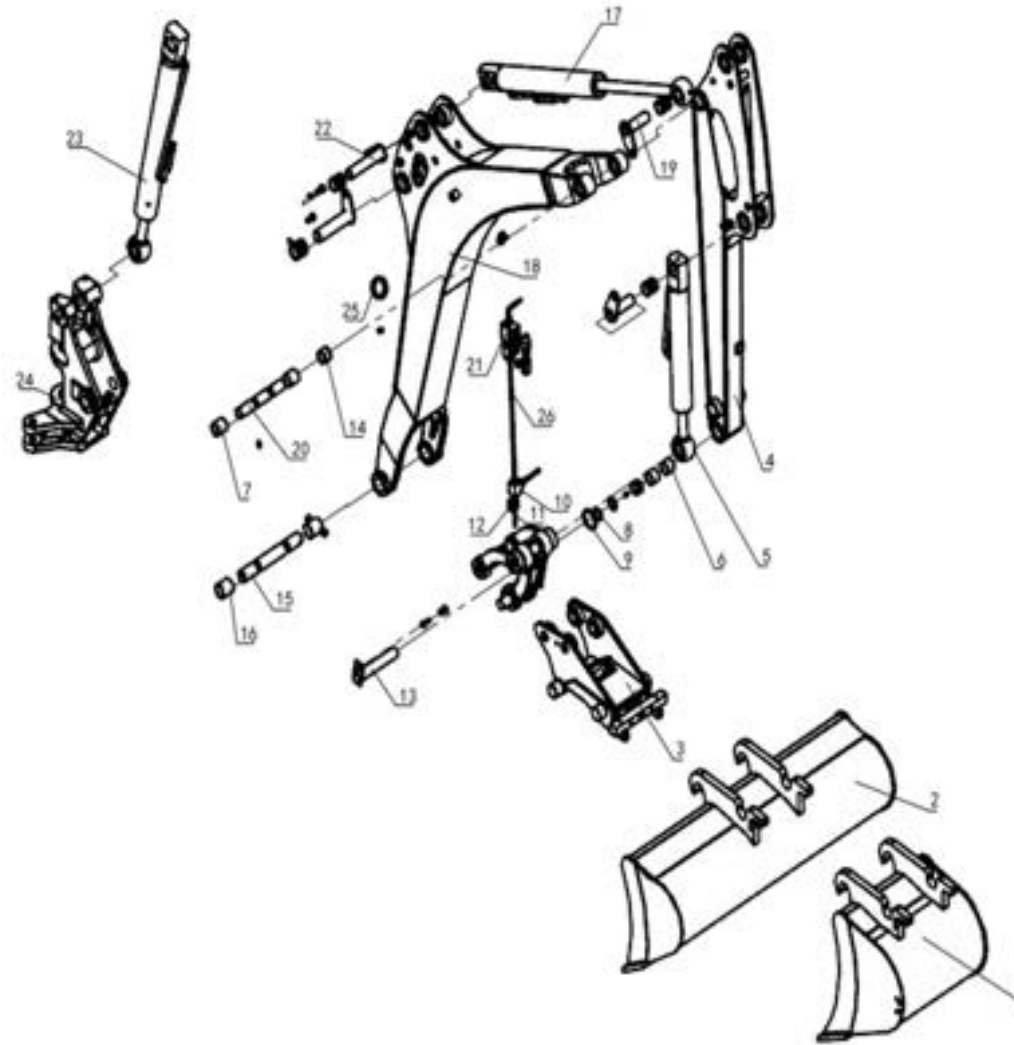
P. de Heus en Zonen Greup B.V.
Stougjesdijk 153
3271 KB Mijnsheerenland
The Netherlands
Tel. + 31 (0) 186 612 333
info@eurotrac.nl

1.	WORKING DEVICES	4
1.1	Working device (1)	4
1.2	Working device (2)	6
1.3	Quick change device	8
2.	CHASSIS ASSEMBLY	10
2.1	Chassis assembly	10
2.2	H frame assembly	12
2.3	Right track frame assembly	14
2.4	Left track frame assembly	16
2.5	Bulldozer assembly	18
3.	POWER SYSTEM	20
3.1	Power system (1)	20
3.2	Power system (2)	22
3.3	Fuel tank assembly	24
3.4	Fuel tank	26
4.	ROTARY PLATFORM ASSEMBLY	28
5.	OPERATION SYSTEM	32
5.1	Multi-way valve operation system assembly	32
5.2	Seat bracket assembly	34
6.	HYDRAULIC SYSTEM	36
6.1	Driving motor	36
6.2	Bulldozer telescopic cylinder	38
6.3	Main pump	40
6.4	Main pump inlet	42
6.5	Return line	44
6.6	Hydraulic oil tank assembly	46
6.7	Oil distribution line	48
6.8	Rotary motor piping	50
6.9	Multi-way valve joint	52
6.10	Medium return circuit (1)	54
6.11	Medium return circuit (2)	56

6.12	Medium return circuit (3)	58
6.13	Working device oil circuit (1)	60
6.14	Working device oil circuit (2)	62
7.	ELECTRICAL SYSTEM	64
7.1	Electrical system (1)	64
7.2	Electrical system (2)	66
7.3	Electrical system (3))	68
7.4	Electrical system (4))	70
8.	CAB SYSTEM	72
8.1	Cab system assembly (left)	72
8.2	Cab system assembly (right)	74
8.3	Left door	76
8.4	Front moving window	78
8.5	Wiper assembly	80

1. WORKING DEVICES

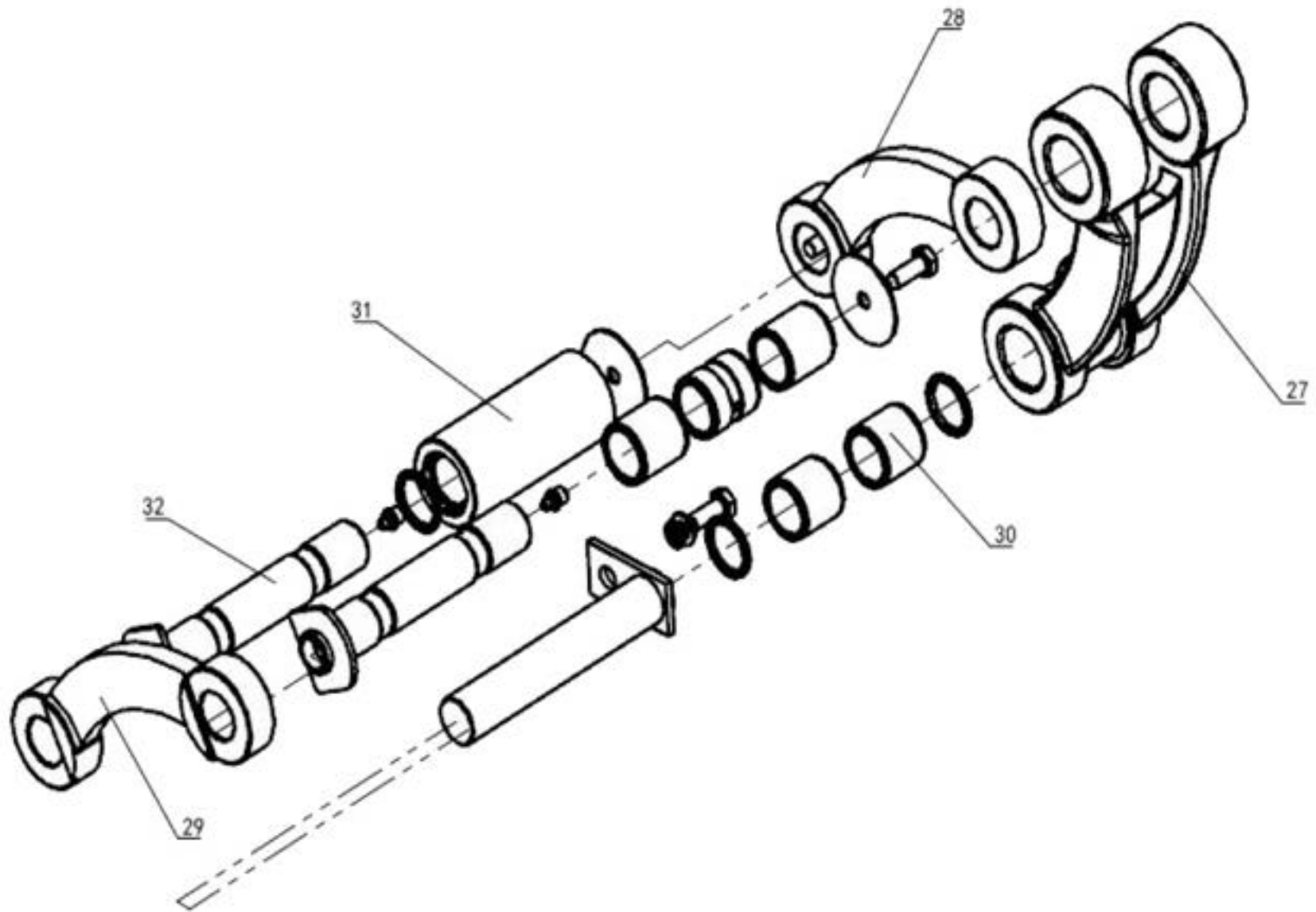
1.1 Working device (1)



Working device (1)

Item	Part number	Part name	Qty	Remark
1	DL40	Bucket	1	
2	AB100	Bucket AB100	1	
3	0018-100700-000	Quick change device	1	
4	0018-100200-000	Bucket rod assembly	1	
5	0018-100900-000	Bucket cylinder	1	
6	0018-100010-G00	30x38x30 Bushing	2	
7	0018-100009-G00	30x38x40 Bushing	4	
8	0018-100008-G00	Dust cover	4	
9	0018-100710-000	O-ring	4	
10	-	KHB Straight ball valve 08LR	1	
11	0018101006-G00	Steel pipe	1	
12	0018-101008-G00	Pipe support	1	
13	0018-101202-000	Quick change pin	1	
14	0018-100015-000	0x38x28 sleeve	1	
15	0018-100007-G00	Swing arm link pin	1	
16	0018-100005-000	Swing arm sleeve	2	
17	0018-100800-000	Bucket arm cylinder	1	
18	0018-100100-000	Swing arm assembly	1	
19	0018-100300-000	Cylinder latch assembly	2	
20	0018-100004-000	Connecting pin	1	
21	0018-101003-G00	Two-way solenoid valve	1	
22	0018-100600-000	Cylinder fixing pin	2	
23	0018-101100-G00	Swing arm cylinder	1	
24	0018-400001-000	Swing arm hinged body	1	
25	0018-100014-000	Rubber ring	1	
26	0018-101005-G00	Steel pipe	1	

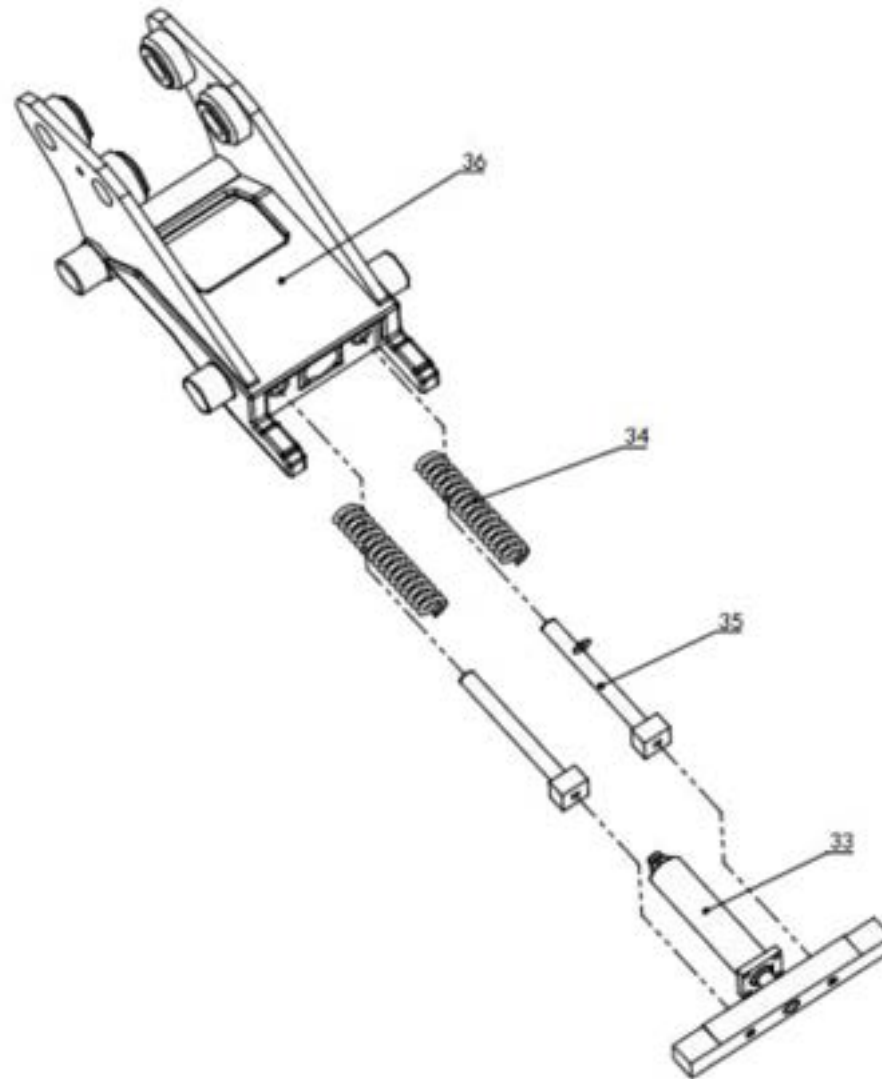
1.2 Working device (2)



Working device (2)

Item	Part number	Part name	Qty	Remark
27	0018-100001-000	Rocker	1	
28	0018-100003-000	Connecting rod	1	
29	0018-100002-000	Connecting rod	1	
30	0018-100011-000	30x38x35 bushing	2	
31	0018-100204-000	Four link mechanism sleeve	1	
32	0018-100402-000	Four link mechanism latch	1	

1.3 Quick change device

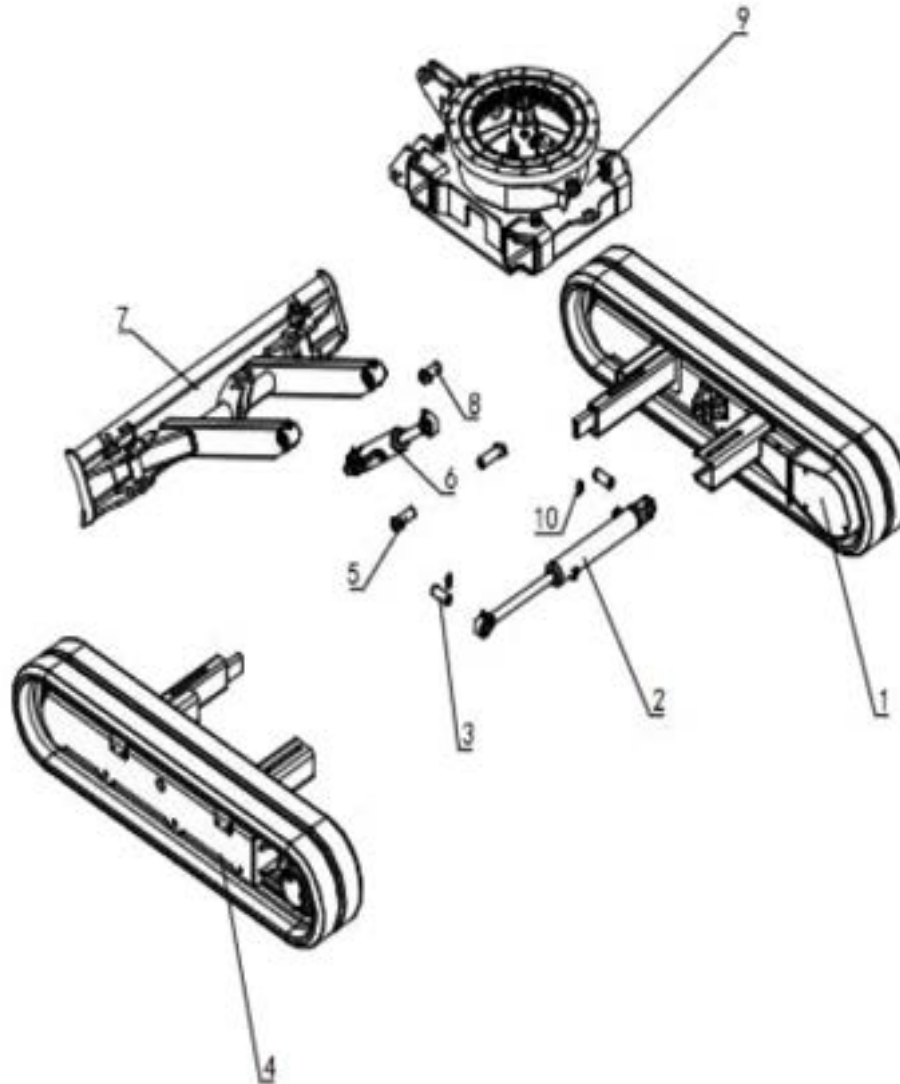


Quick change device

Item	Part number	Part name	Qty	Remark
33	0018-100740-G00	Cylinder assembly	1	
34	0018-100709-000	Spring	2	
35	0018-100702-000	Quick change telescopic rod	2	
36	0018-100710-000	Quick change base	1	

2. CHASSIS ASSEMBLY

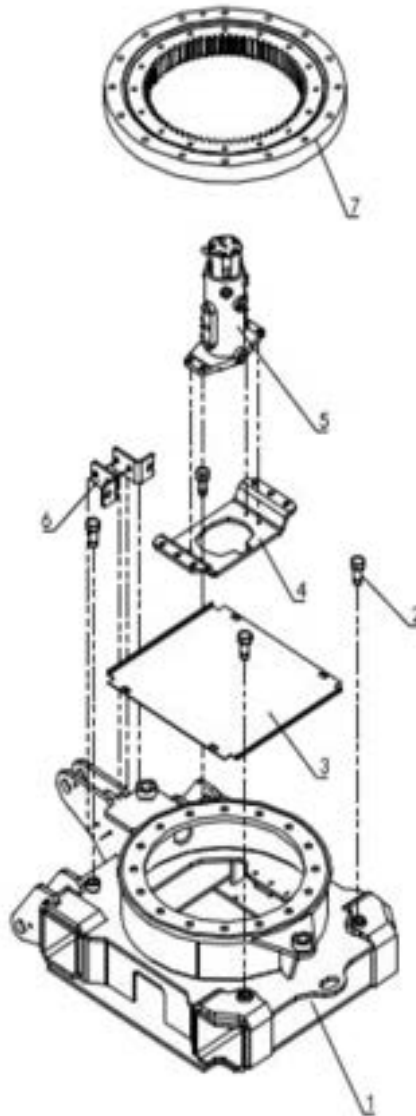
2.1 Chassis assembly



Chassis assembly

Item	Part number	Part name	Qty	Remark
1	0018-220000-000	Right track frame assembly	1	
2	0018-200400-G00	Telescopic cylinder	1	
3	0018-200004-000	Telescopic cylinder pin	2	
4	0018-230000-000	Left track frame assembly	1	
5	0018-200101-000	Bulldozer pin	2	
6	0018-200300-G00	Bulldozer cylinder	1	
7	0018-240000-000	Bulldozer assembly	1	
8	0018-200201-000	Bulldozer cylinder pin	2	
9	0018-210000-000	H frame assembly	1	
10	0018-200003-000	Pin limit plate	2	

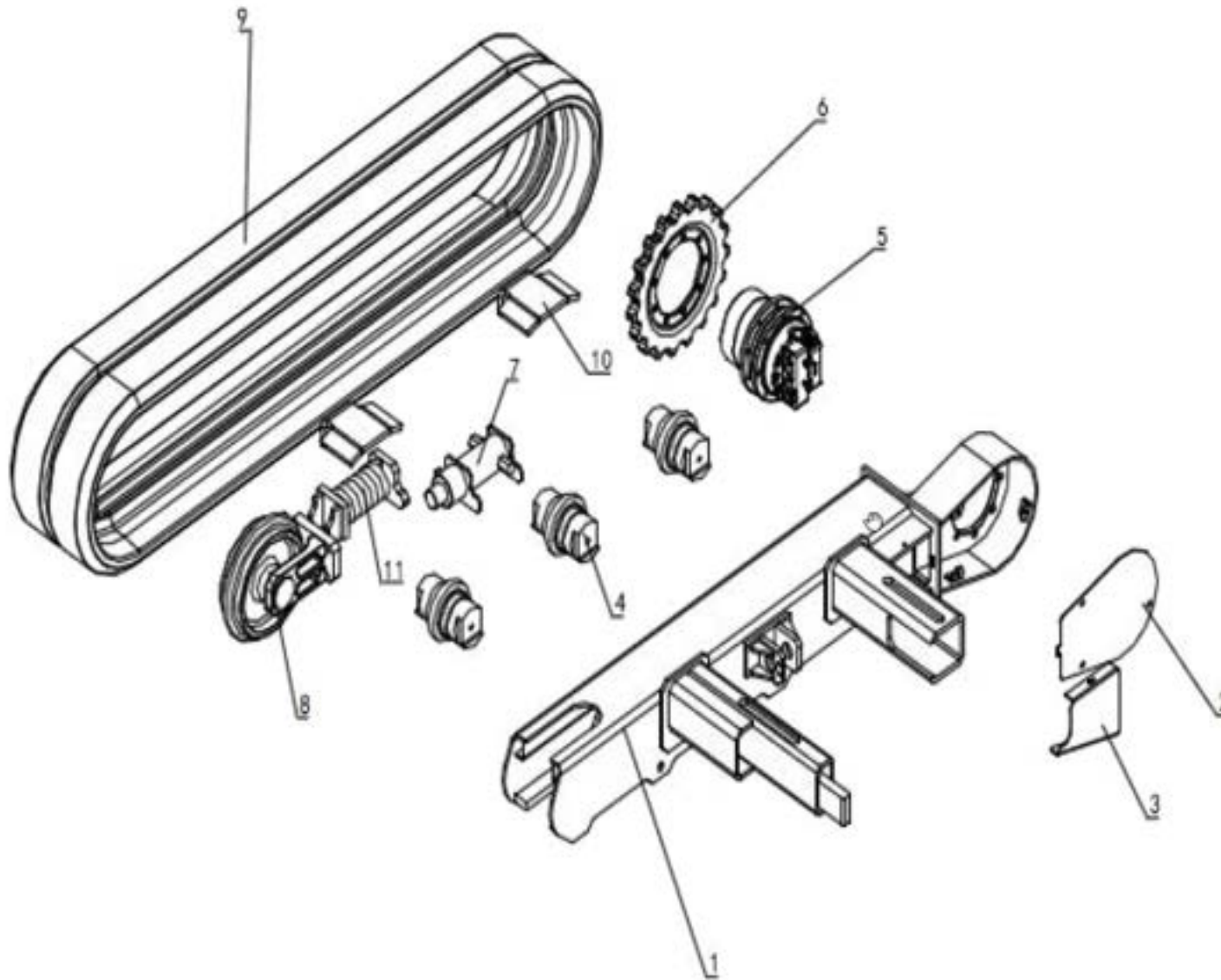
2.2 H frame assembly



H frame assembly

Item	Part number	Part name	Qty	Remark
1	0018-211000-000	H frame welded parts	1	
2	0018-210005-000	Limit bolt	4	
3	0018-210001-000	Bottom plate	1	
4	0018-210004-000	Rotary joint mounting plate	1	
5	0018-210003-G00	Central rotary joint (10 channels)	1	
6	0018-210006-000	Mounting plate through plate connector	2	
7	0018-210002-G00	Slewing ring	1	

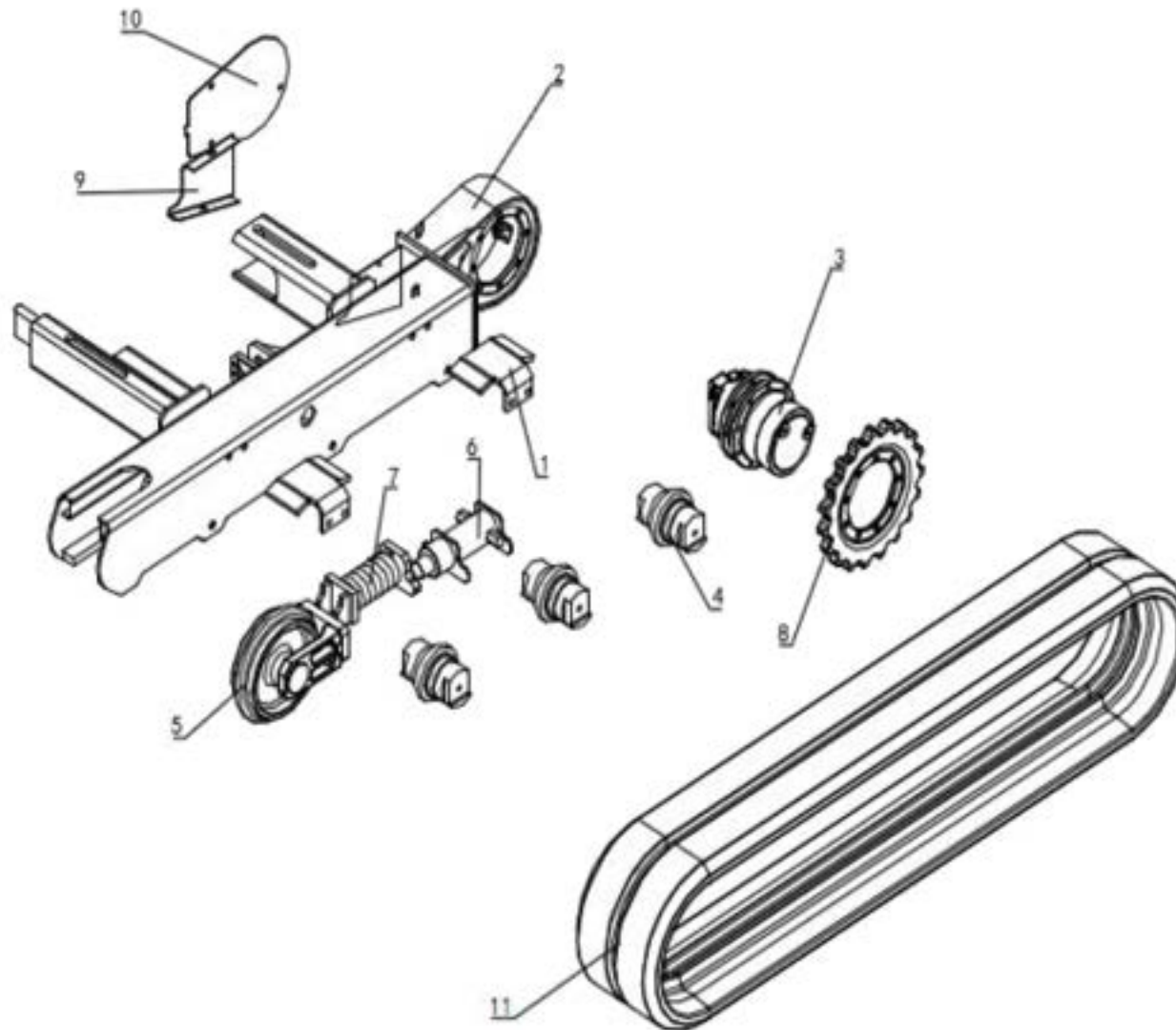
2.3 Right track frame assembly



Right track frame assembly

Item	Part number	Part name	Qty	Remark
1	0018-221000-000	Right U-beam welding	1	
2	0018-220003-000	Travel motor cover	1	
3	0018-220002-000	Right side cover	1	
4	0018-220006-G00	Roller 101015701	3	
5	0018-220004-G00	Travel motor (DWV-1206-01-37)	1	
6	0018-220005-G00	W17-18Q drive wheel	1	
7	0018-220008-G00	Tension cylinder device	1	
8	0018-220009-G00	Guide	1	
9	0018-220010-G00	230 rubber track (1230)	1	
10	0018-220001-000	Support plate	2	
11	0018-220007-G00	Tension spring assembly	1	

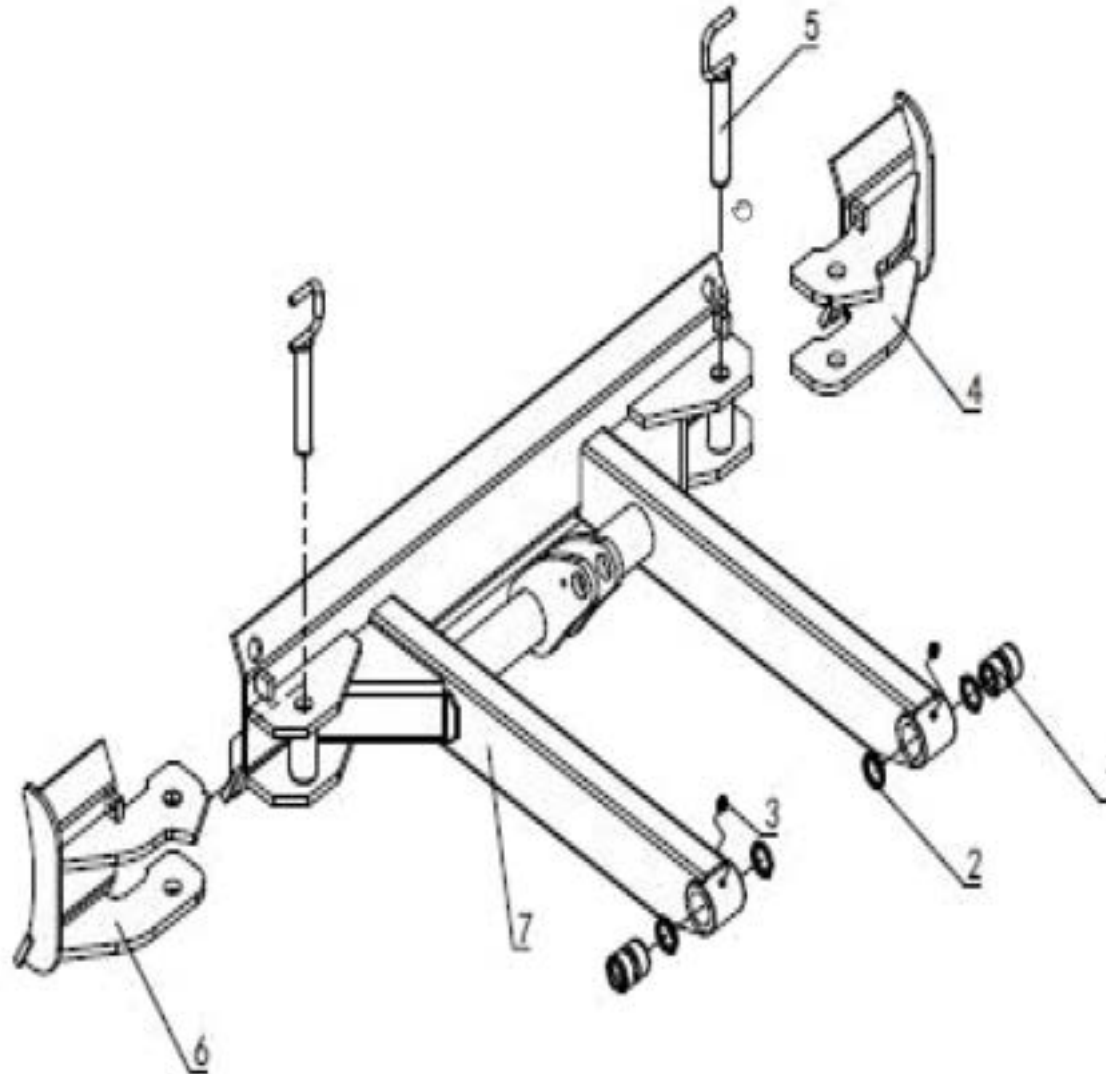
2.4 Left track frame assembly



Left track frame assembly

Item	Part number	Part name	Qty	Remark
1	0018-220001-000	Support plate	2	
2	0018-231000-000	Left U-beam welding	1	
3	0018--220004-G00	Travel motor (DWV-1206-01-37)	1	
4	0018-220006-G00	Roller 101015701	3	
5	0018-220009-G00	Guide	1	
6	0018-220008-G00	Tension cylinder device	1	
7	0018-220007-G00	Tension spring assembly	1	
8	0018-220005-G00	W17-18Q drive wheel	1	
9	0018-230001-000	Left side cover	1	
10	0018-220003-000	Travel motor cover	1	
11	0018-220010-G00	230 rubber track (1230)	1	

2.5 Bulldozer assembly

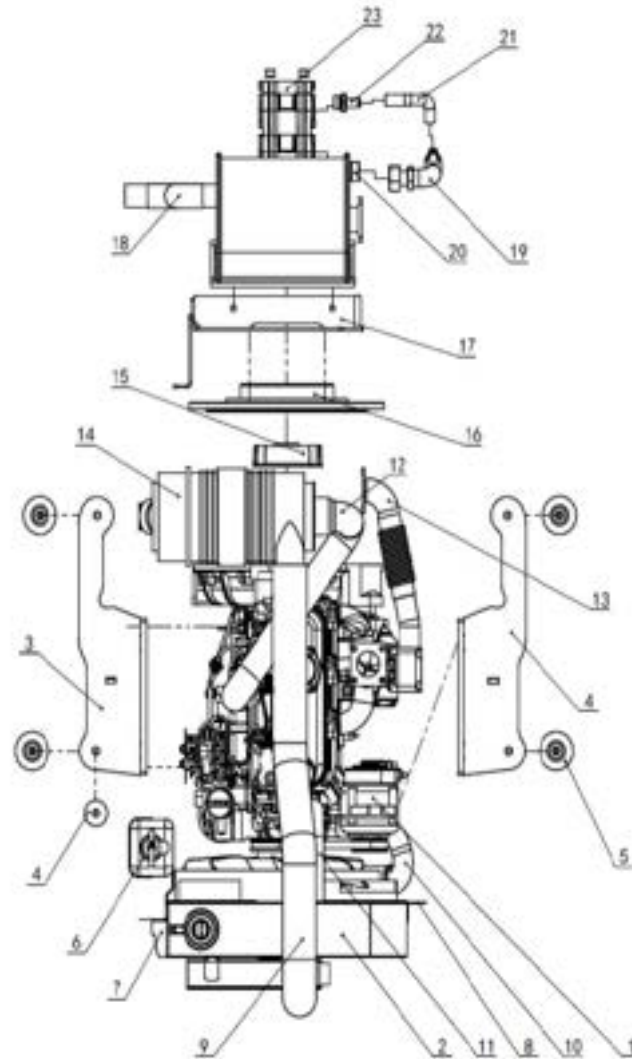


Bulldozer assembly

Item	Part number	Part name	Qty	Remark
1	0018-240001-000	Bushing 30x40x50	2	
2	0018-240002-G00	Dust ring 30x40x4	4	
3	079401 010101	Oil cup M10x1	2	
4	0018-242000-000	Right side bulldozer welding assembly	1	
5	0018-244000-000	Pin	2	
6	0018-243000-000	Left side bulldozer welding assembly	1	
7	0018-241000-000	Main bulldozer welding assembly	1	

3. POWER SYSTEM

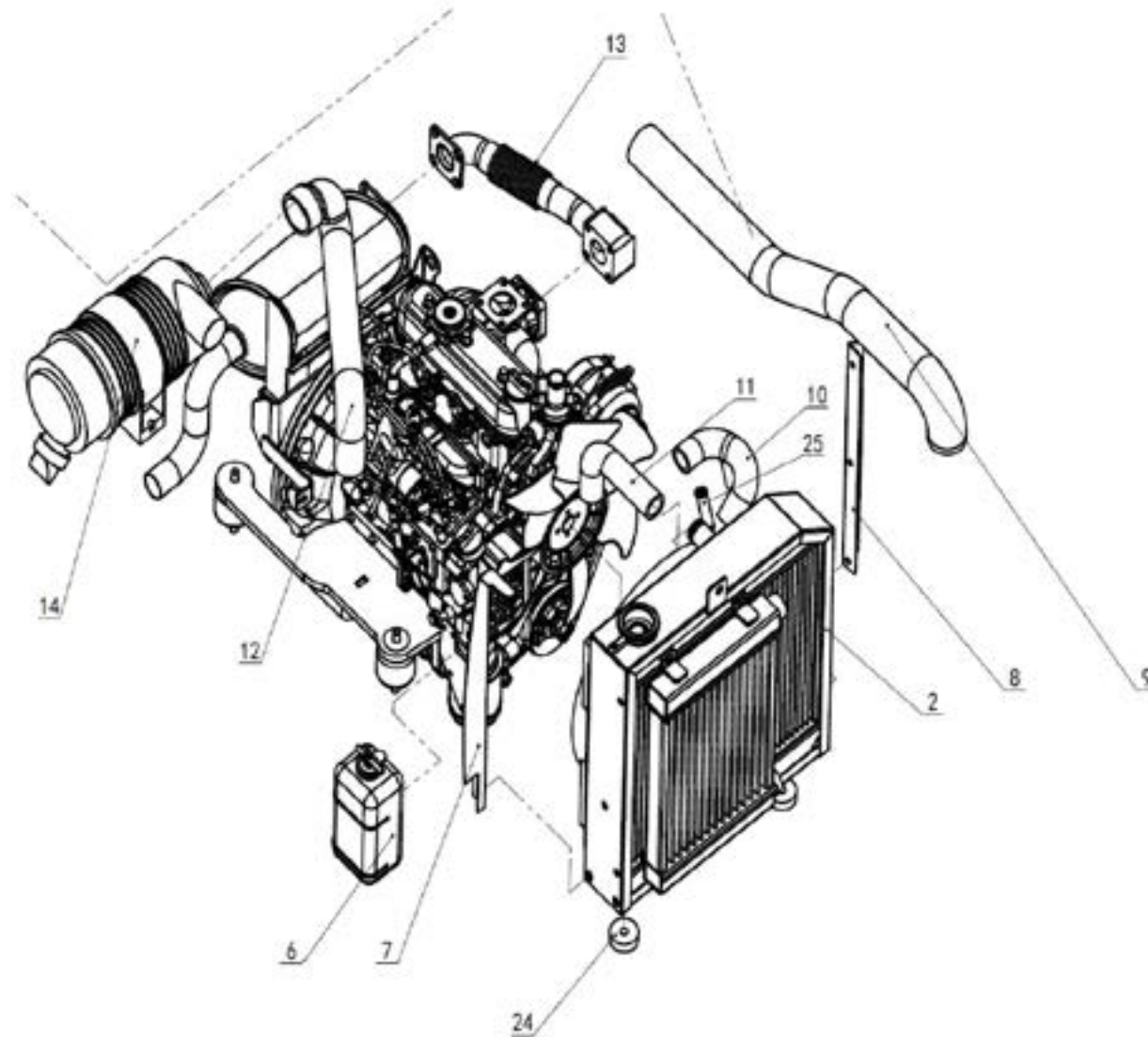
3.1 Power system (1)



Power system (1)

Item	Part number	Part name	Qty	Remark
1	D1105-14-2200	Kubota Engine D1105	1	
2	0018-340100-010	Radiator assembly	1	
3	0018-310700-000	Right engine foot	1	
4	0018-310600-000	Left engine foot	1	
5	0018-310800-000	Shock absorber	4	
6	K30G00 345000	Vice radiator	1	
7	0018-400054-010	Radiator left sealing plate	1	
8	0018-400056-010	Radiator right sealing plate	1	
9	0018-320002-001	Air filter intake pipe	1	
10	0018-340002-000	Downcomer	1	
11	0018-340001-000	Upper hose	1	
12	0018-320001-001	Engine intake	1	
13	0018-320100-000	Exhaust pipe	1	
14	1130-320300-G00	Air filter assembly	1	
15	0018-300700-G00	11 tooth coupling	1	
16	0018-300200-000	Coupling end cover	1	
17	0018-310300-010	Muffler bracket	1	
18	0018-330100-000	Muffler assembly	1	
19	0018-700100-010	Oil pipe of main pump	1	
20	0018-700006-000	3/4-M30	1	
21	0018-700019-010	Pilot pump suction pipe	1	
22	0018-700018-000	Pilot pump suction connector	1	
23	0018-300800-G00	Gear pump	1	

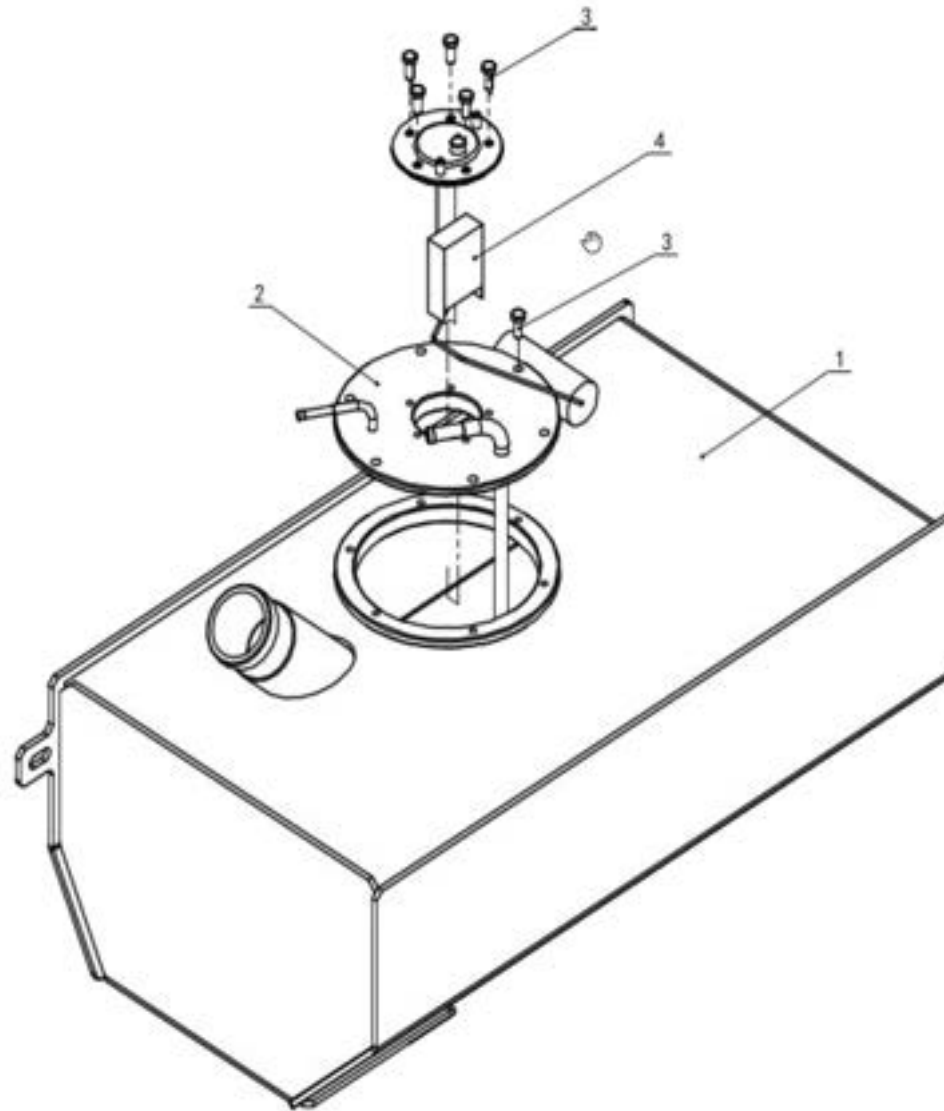
3.2 Power system (2)



Power system (2)

Item	Part number	Part name	Qty	Remark
24	K30G00 340002	Radiator shock pad	2	
25	0018-340004-010	Heater connecting pipe	1	

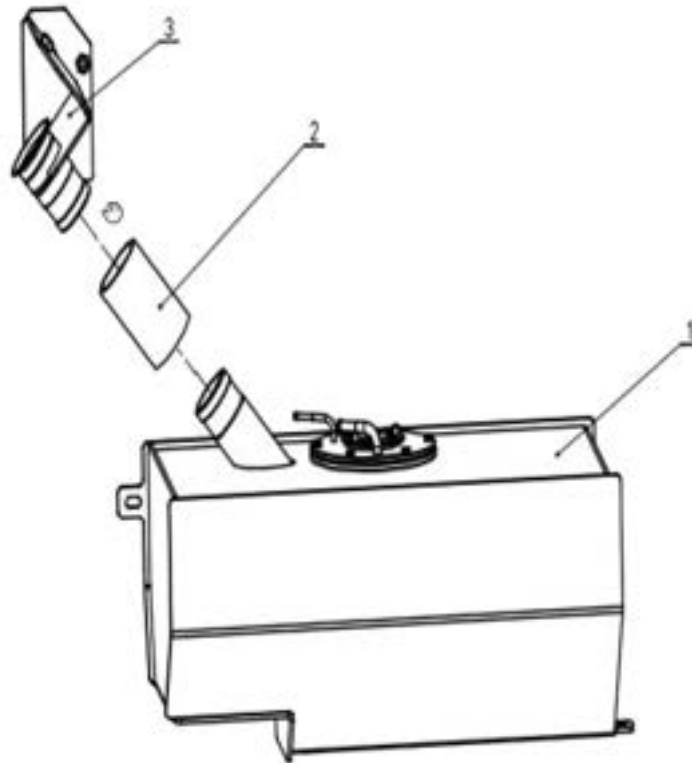
3.3 Fuel tank assembly



Fuel tank assembly

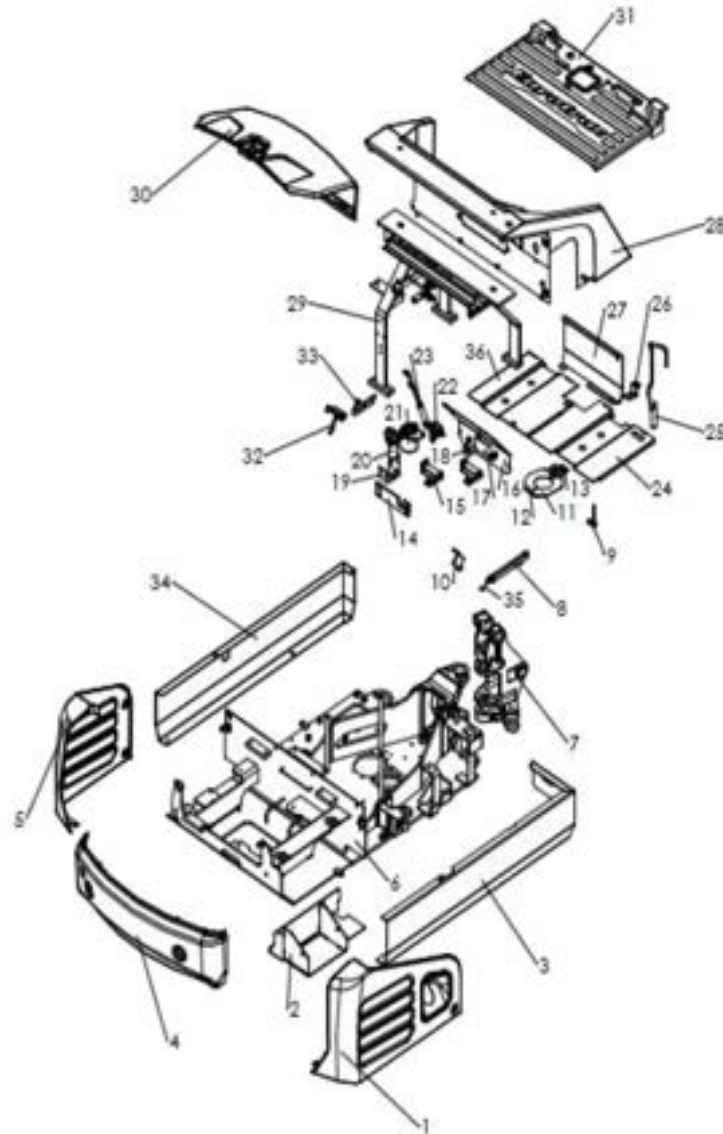
Item	Part number	Part name	Qty	Remark
1	0018-310220-010	Fuel tank welding assembly	1	
2	0018-310210-010	Fuel tank cover	1	
3	005781 050121	Bolt M5*12	12	
4	0018-700040-G10	Oil measurement sensor	1	

3.4 Fuel tank



Fuel tank				
Item	Part number	Part name	Qty	Remark
1	0018-310200-010	Fuel tank assembly	1	
2	0018-320202-010	Diesel fuel pipe	1	
3	0018-310230-010	Fuel filler port assembly	1	

4. ROTARY PLATFORM ASSEMBLY



Rotary platform assembly

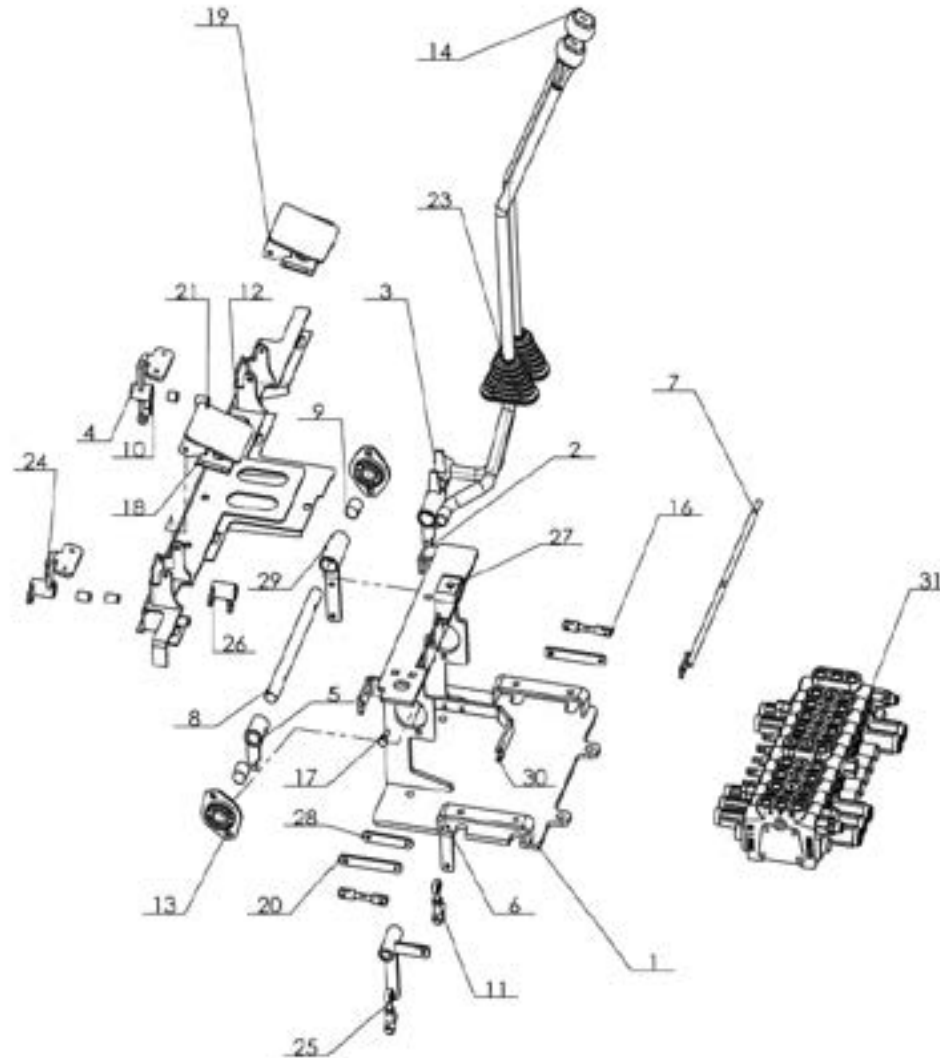
Item	Part number	Part name	Qty	Remark
1	0018-400070-010	Right side cover component	1	
2	0018-420900-010	Battery support	1	
3	0018-410025-010	Platform right side plate	1	
4	0018-400008-010	Counterweight	1	
5	0018-400080-010	Left cover component	1	
6	0018-410000-001	Boarding platform	1	
7	0018-400001-000	Swing arm hinged body	1	
8	0018-400052-010	Battery plate	1	
9	0018-400016-010	Clip string assembly	1	
10	0018-400013-010	Bracket	1	
11	0018-400004-000	Turntable right sealing plate	1	
12	0018-400003-000	Turntable sealing plate	1	
13	0018-400006-000	Rotary joint lock plate	1	
14	0018-420617-010	Lock plate	1	
15	0018-400700-010	Pipe clamp assembly	2	
16	0018-400051-010	Seal plate	1	
17	0018-400201-010	Radiator fixing bracket	1	
18	0018-400400-010	Hinge bracket II	1	
19	0018-400050-010	General power switch bracket	1	
20	1130-350400-G00	Primary filter	1	
21	1130-350300-G00	Secondary filter	1	
22	1130-350200-G00	Electronic pump	1	
23	0018-401900-010	Hood gas spring	1	
24	0018-420007-000	Right floor	1	
25	118-400100-000	Lock pin assembly	1	
26	0018-400003-000	Locking pin fixing plate	1	
27	0018-410026-010	Platform front side panel	1	
28	0018-430000-000	Partition board	1	
29	0018-420600-010	Rear bracket assembly	1	

Rotary platform assembly

Item	Part number	Part name	Qty	Remark
30	0018-400012-010	Tail cover assembly	1	
31	0018-400011-000	Foot pad	1	
32	0018-400800-010	Lock handle assembly	1	
33	0018-400302-010	Hinge bracket	1	
34	0018-410024-010	Platform left side panel	1	
35	0018-400053-010	Battery hook	2	
36	0018-420006-000	Left floor	1	

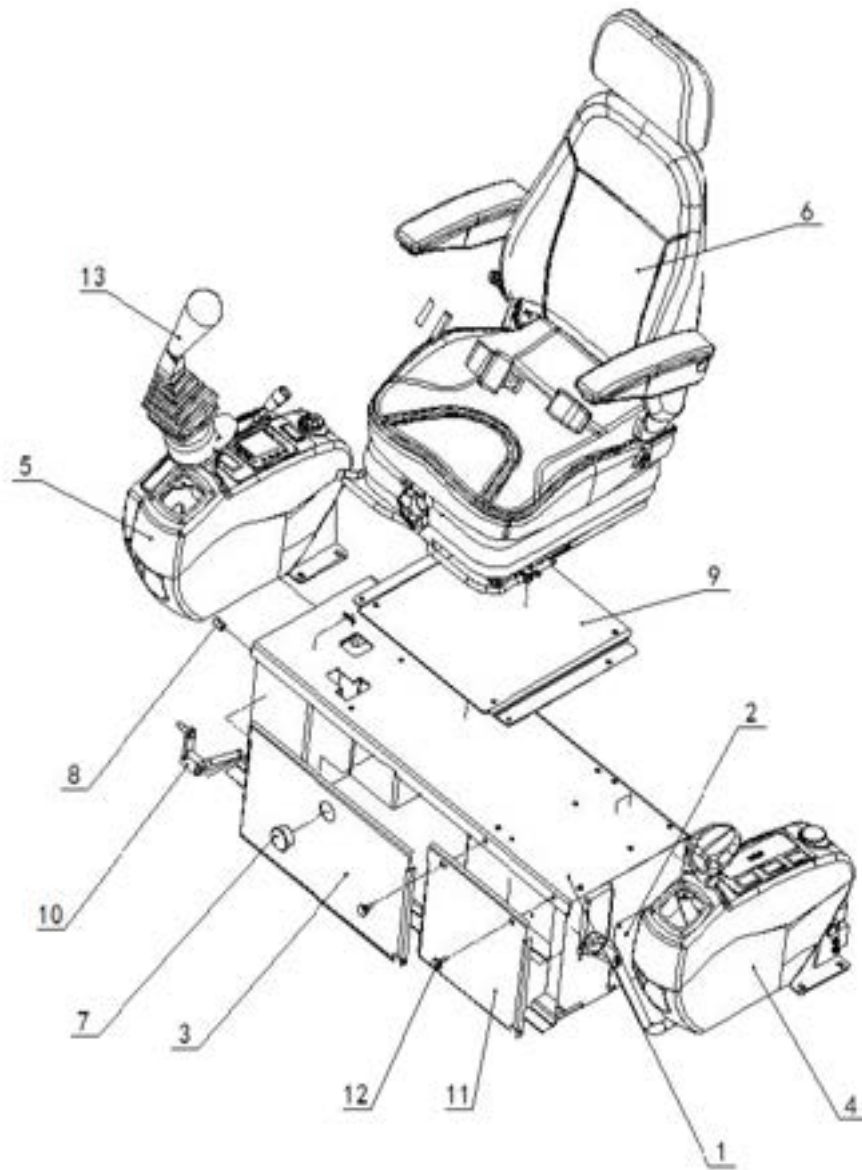
5. OPERATION SYSTEM

5.1 Multi-way valve operation system assembly



Multi-way valve operation system assembly				
Item	Part number	Part name	Qty	Remark
1	0018-510100-000	Multi-way valve bracket	1	
2	0018-510200-000	Left joystick assembly	1	
3	0018-510300-000	Right joystick	1	
4	0018-510400-000	Pedal main pin swing arm (broken)	1	
5	0018-510800-000	Right swing arm	1	
6	0018-510700-000	Pedal pin swing arm 2	1	
7	0018-510900-000	Rod assembly	1	
8	0018-510001-000	Master pin	1	
9	SF-2025	Bush 2025	1	
10	M8PING	Spherical hinge	2	
11	0018-511500-000	Spherical hinge assembly	1	
12	0018-511200-000	Floor bracket assembly	2	
13	SBPFL 20	Bearing with seat	1	
14	0018-512000-000	Joystick SL012	2	
15	0018-510600-000	Swing arm pin 1	2	
16	0018-511000-000	Connecting rod assembly	1	
17	0018-510003-000	Fit bolt	1	
18	0018-511100-000	Broken pedal	2	
19	0018-511300-000	Pedal cover	2	
20	0018-511400-000	Final swing arm lever	2	
21	SF-1220	Bushing 1220	3	
22	SF-1215	Bushing 1220	3	
23	0018-510004-G00	Joystick rubber cover	2	
24	0018-511600-000	Pedal pin swing arm 1	1	
25	0018-511700-000	Pedal pin swing arm 2	1	
26	0018-510500-000	Pedal pin swing arm 1	1	
27		Welding nut M8	1	
28	0018-512100-000	Swing arm lever welding	1	
29	0018-511900-000	Flexible shaft rod	1	
30	0018-510007-000	Push-pull flexible shaft fixing	1	
31	THD12-DH-10-SQ-01	Multi-way valve	1	

5.2 Seat bracket assembly

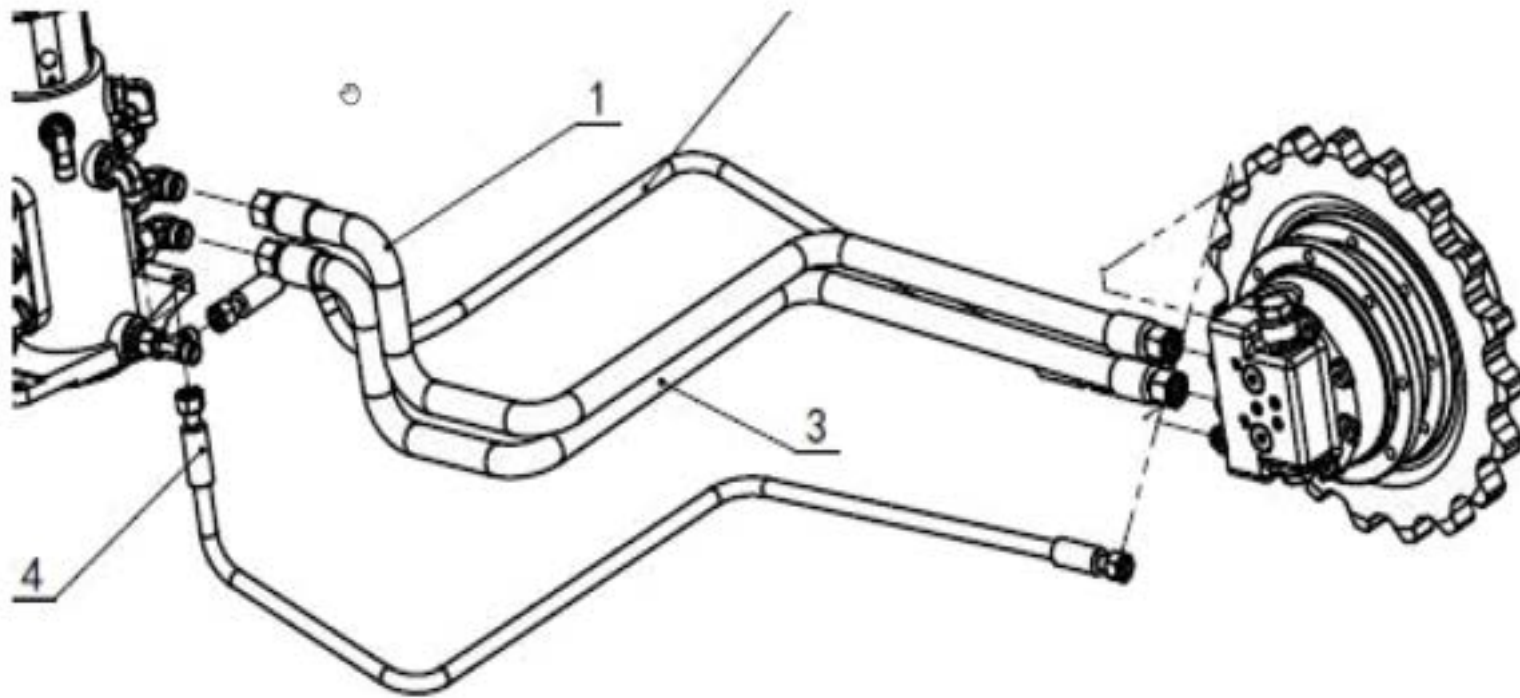


Seat bracket assembly

Item	Part number	Part name	Qty	Remark
1	0018-520100-010	Seat bracket	1	
2	0018-520001-010	Hydraulic oil filler seal	1	
3	0018-520002-010	Seat bracket door	1	
4	1.1.230.00.10 SD-	Left armrest box assembly	2	
5	1.1.230.00.40 SD-	Right armrest box assembly	1	
6	SC25-Y_zyzc_191111	Seat	1	
7	MS739-32	MS739-32 lock	1	
8	SF-1-1220	Axle sleeve SF-1-1220	2	
9	0018-520003-010	Seat plate	1	
10	0018-520200-010	Telescopic handle assembly	1	
11	0018-520004-010	Seat bracket door	1	
12	GB83488	Bolt M6*20	2	
13	JRCVJ-07	Operating handle	2	

6. HYDRAULIC SYSTEM

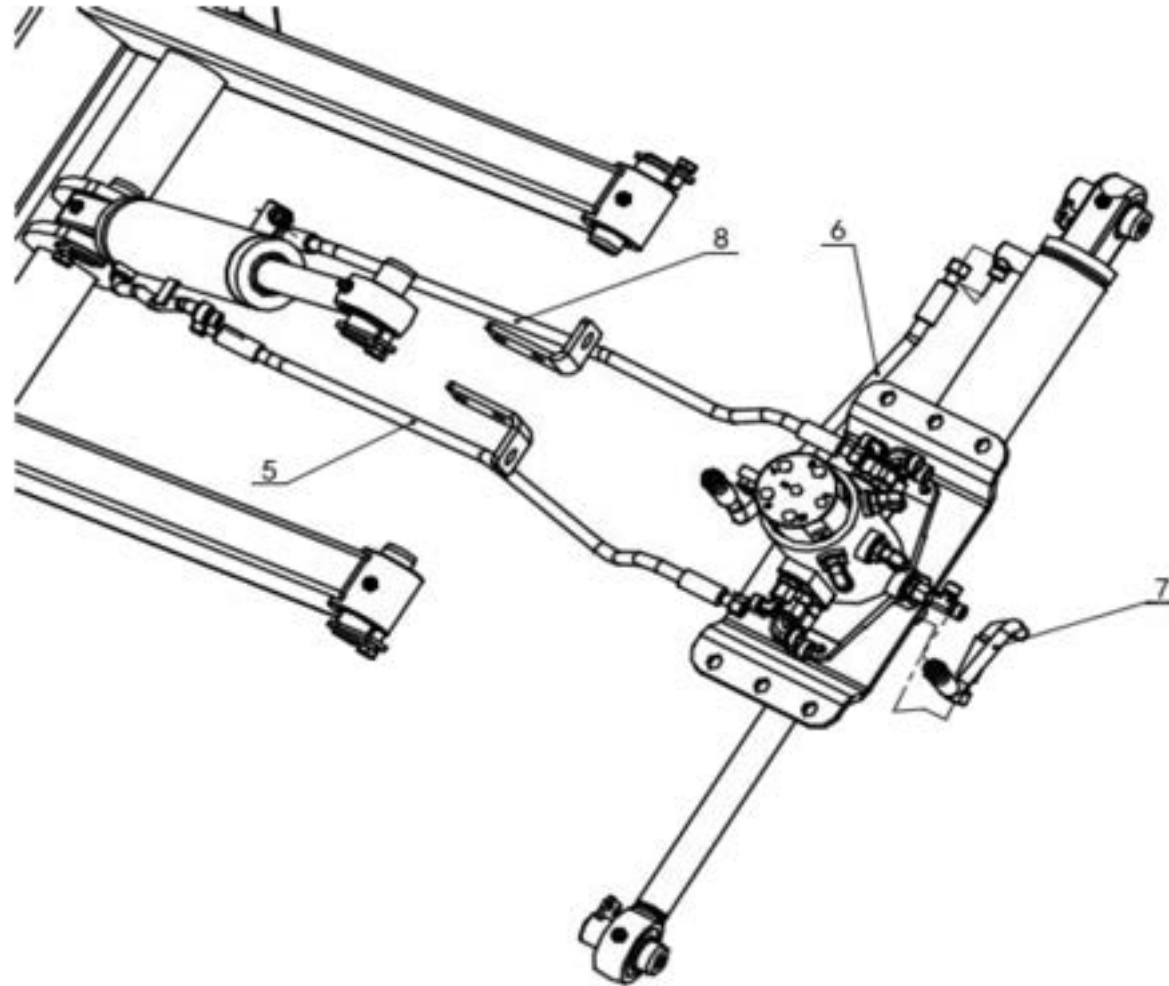
6.1 Driving motor



Driving motor

Item	Part number	Part name	Qty	Remark
1	0018-796480-G00	Rotary 7 - Driving motor P2	1	Right
2	0018-796440-G00	Rotary 1 - Driving motor PS	1	
3	0018-796500-G00	Rotary 9 - Driving motor P1	1	
4	0018-796460-G00	Rotary 10 - Driving motor T	1	

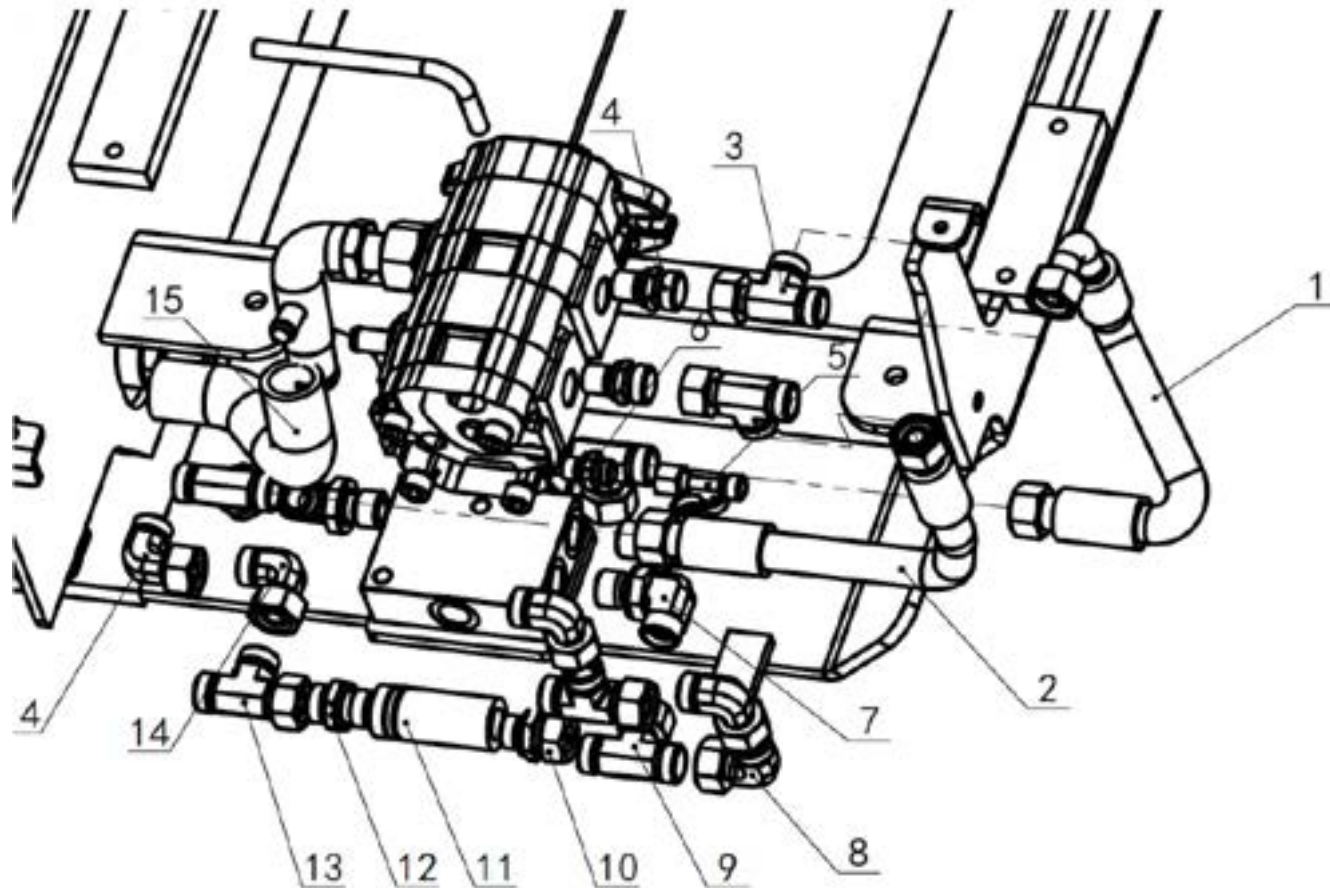
6.2 Bulldozer telescopic cylinder



Bulldozer telescopic cylinder

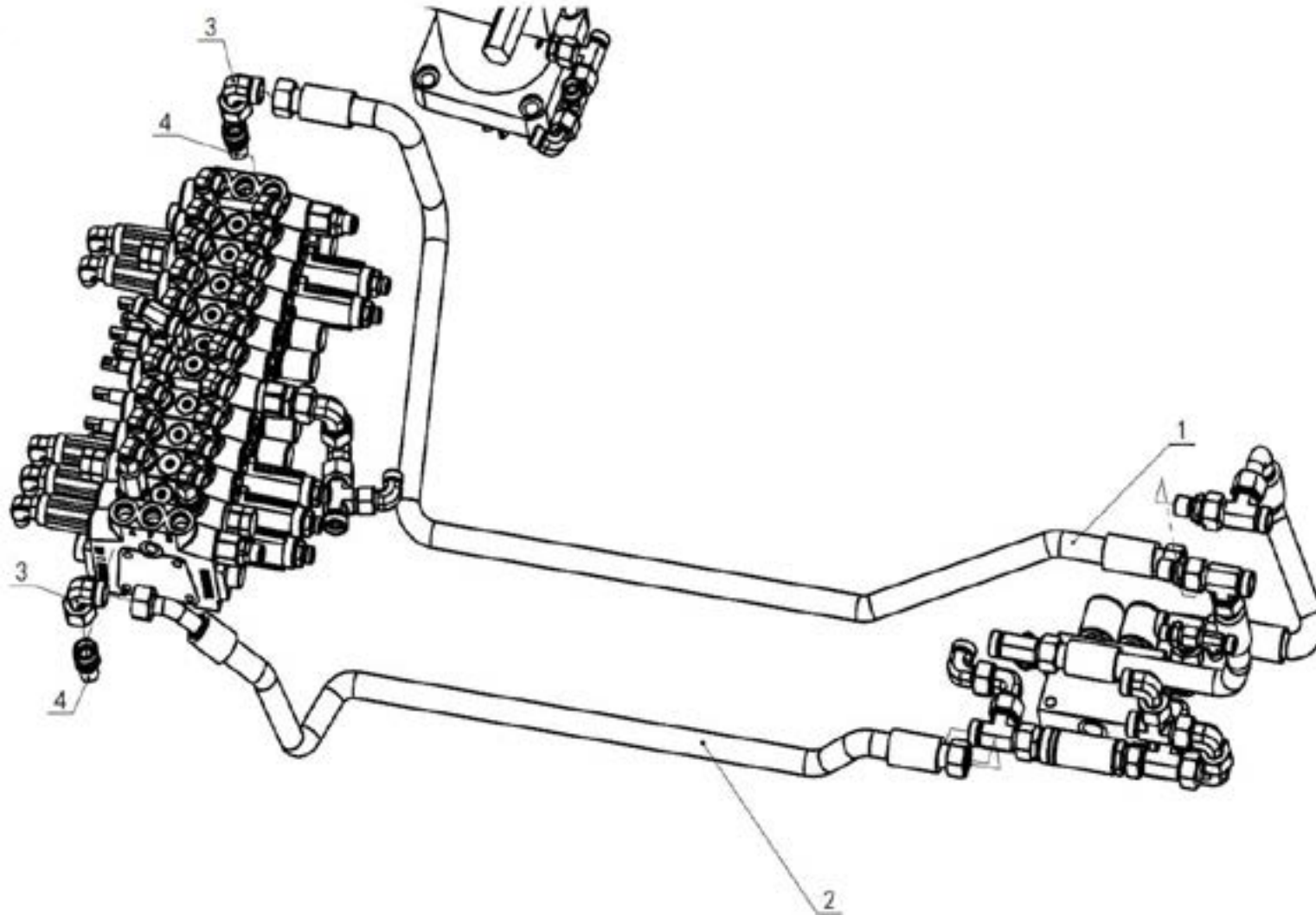
Item	Part number	Part name	Qty	Remark
5	0018-796530-G00	Rotary 4 - dozer cylinder large cavity	1	
6	0018-796520-G00	Rotary 3 - dozer cylinder large cavity	1	
7	0018-796510-G00	Rotary 2 - dozer cylinder large cavity	1	
8	0018-796540-G00	Rotary 5 - dozer cylinder large cavity	1	

6.3 Main pump



Main pump				
Item	Part number	Part name	Qty	Remark
1	0018-796010-000	Main pump-solenoid valve group	1	
2	0018-796020-000	Main pump-solenoid valve group	1	
3	000CC 0022WD	Right-end female thread M22 tee connector	3	
4	0001CB 2206WD	G3/8-M22 through connector (O ring seal)	2	
5	Q-EL08L M14X1.5	Right end female thread M14 tee connector	1	
6	Q-GE08L G1/4	G1/4-M14 straight-through connector (O ring seal)	1	
7	001CG9 2208OG	G1/2-M22 right angle	3	
8	0002C9 0022WD	Internal and external thread conversion M22 right angle	3	
9	0000BC 0022WD	M22 tee connector with internal thread in the middle	2	
10	S2GC-08-22	G1/2-M22 (internal thread) straight connector	1	
11	VU-12-G1/2-0.4	G1/2 one-way valve	1	
12	S2GC-08-26	G1/2-M26 (internal thread) straight connector	1	
13	0000AC 002600	Full external thread M26 tee connector	1	
14	0002C9 0026WD	Internal and external thread conversion M26 right angle	2	
15	0018-700010-020	Main pump suction pipe	1	

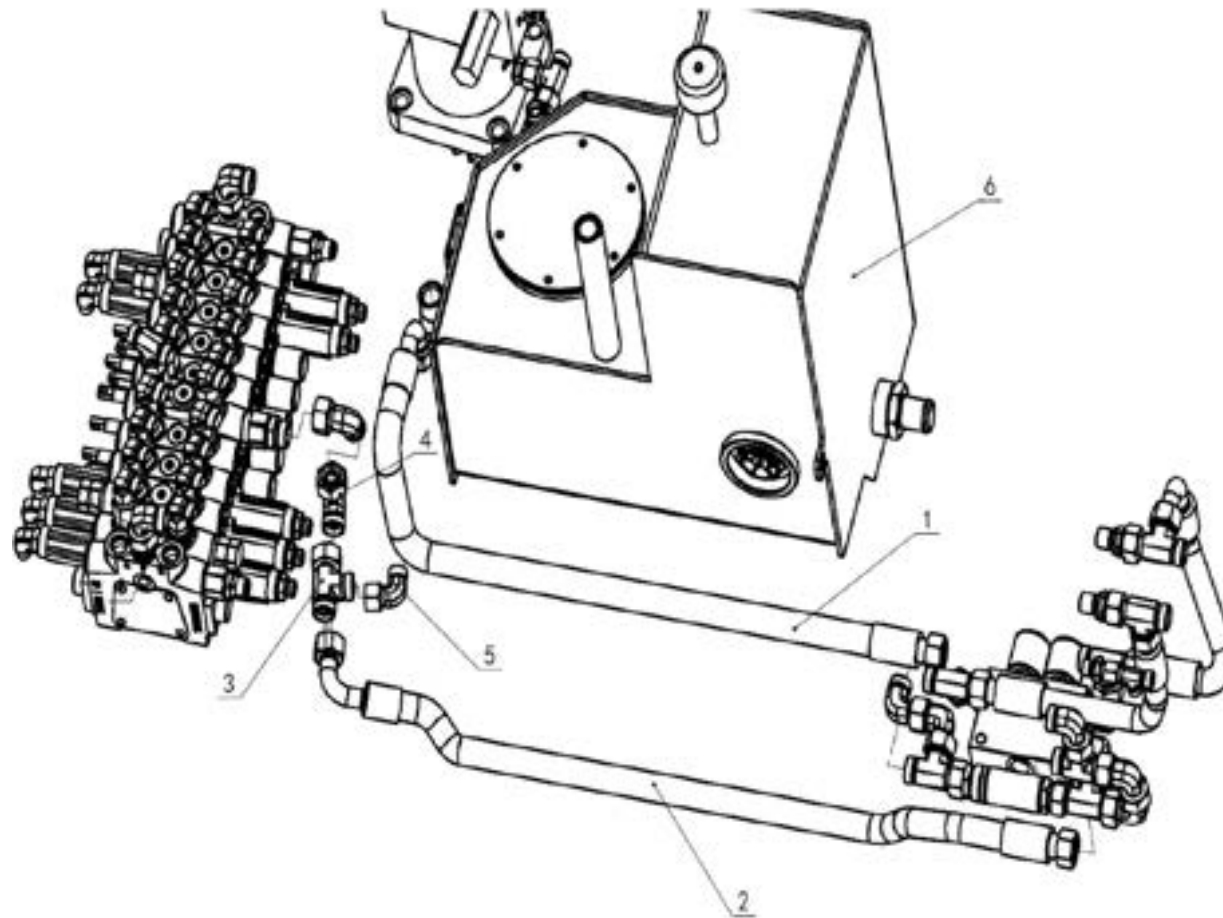
6.4 Main pump inlet



Main pump inlet

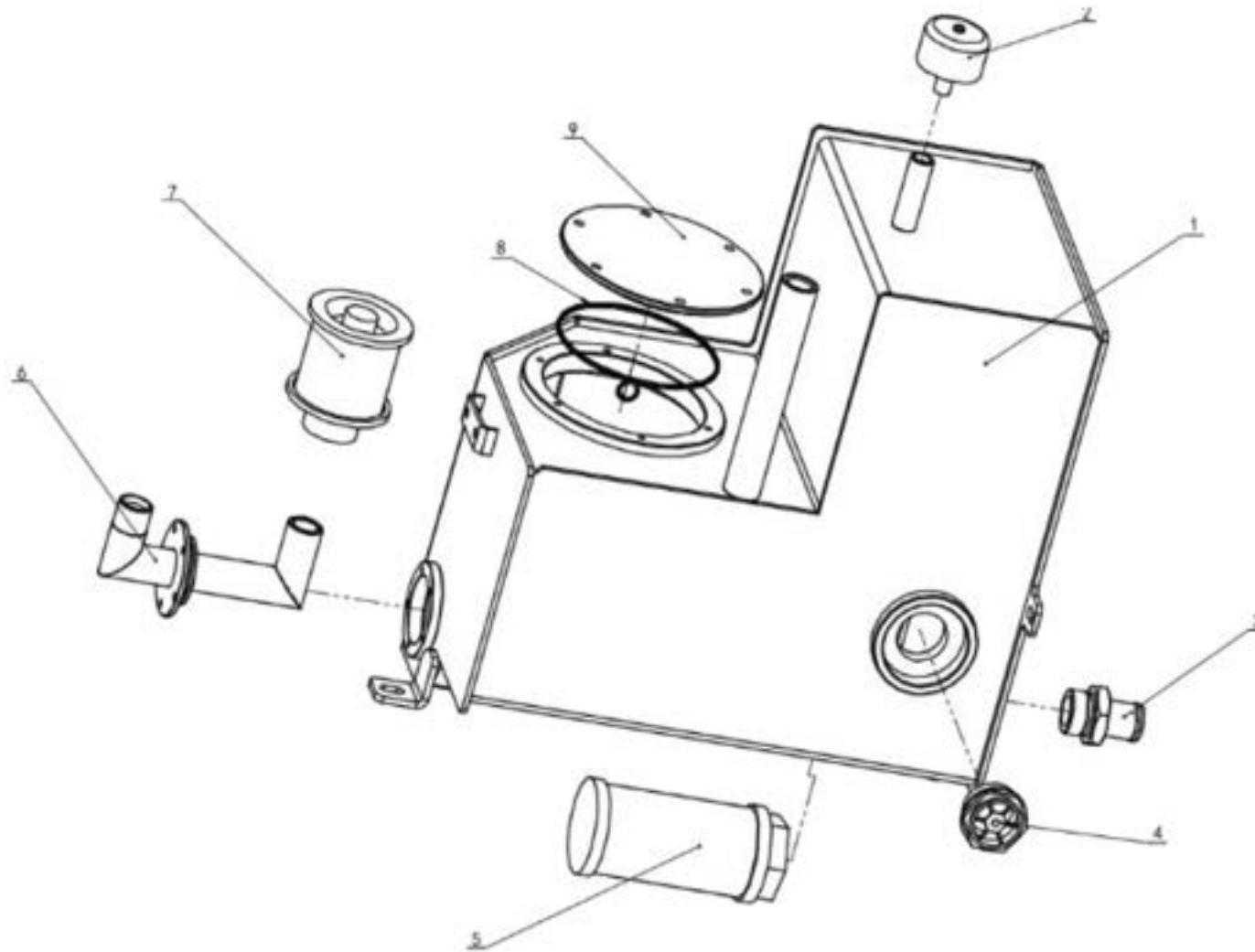
Item	Part number	Part name	Qty	Remark
1	0018-796040-000	Solenoid valve group-main valve	1	
2	0018-796030-000	Solenoid valve group-main valve	1	
3	Q-EW15L M22X1.5	M22 internal and external thread right angle joint	2	
4	0001CB 2206WD	G3/8-M22 straight connector	2	

6.5 Return line



Return line				
Item	Part number	Part name	Qty	Remark
1	0018-796120-000	Solenoid valve group-hydraulic oil tank	1	
2	0018-796090-000	Main valve T-solenoid valve	1	
3	Q-EL15L M22X1.5	Right-end female thread M22 tee connector	1	
4	Q-EW15L M22X1.5	M22 internal and external thread right angle joint	2	
5	Q-EW12L M18X1.5	M18 internal and external thread right angle connector	1	
6	0018-700300-010	Hydraulic oil tank assembly	1	

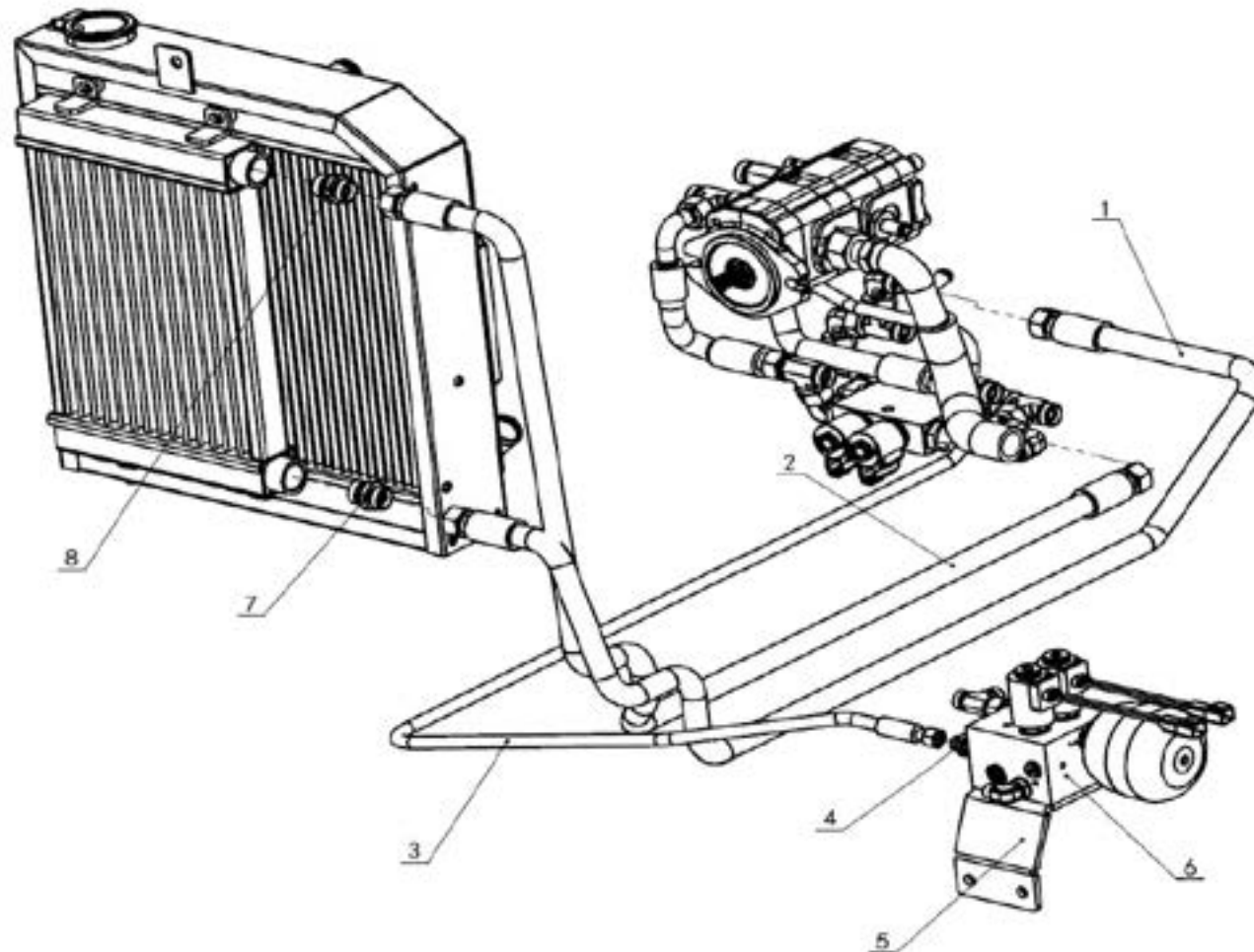
6.6 Hydraulic oil tank assembly



Hydraulic oil tank assembly

Item	Part number	Part name	Qty	Remark
1	0018-700310-010	Hydraulic oil tank welding	1	
2	0018-700400-010	Respirator	1	
3	0018-700009-000	Suction connector	1	
4	739801000002	Oil level mirror	1	
5	WU-100X80-J	Suction filter	1	
6	0018-700320-010	Oil return pipe welding assembly	1	
7	0018-700360-010	Oil return filter (only filter element)	1	
8	-	O-Ring 118x2.65	1	
9	0018-700301-010	Fuel tank cover	1	

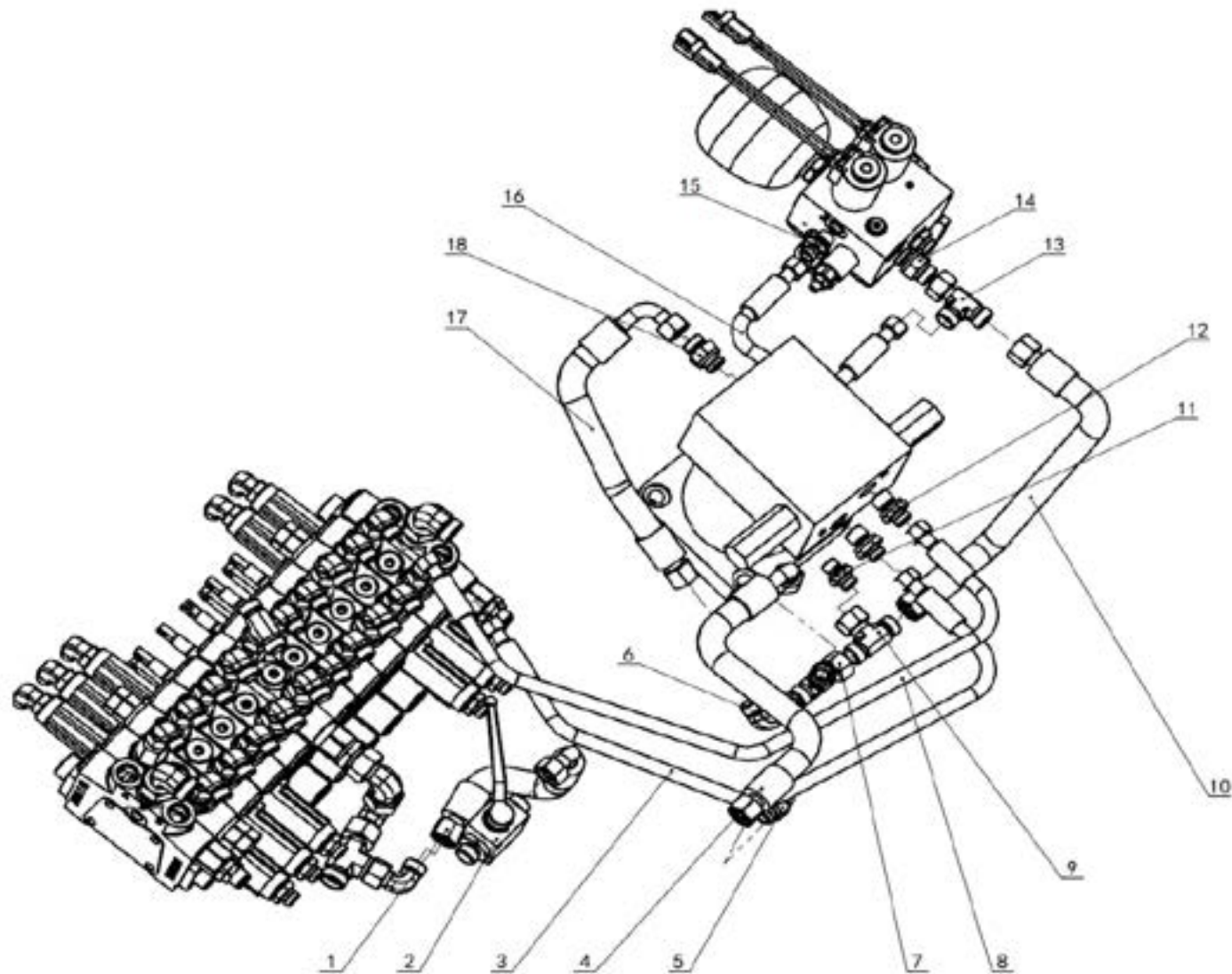
6.7 Oil distribution line



Oil distribution line

Item	Part number	Part name	Qty	Remark
1	0018-796100-000	Solenoid valve group T-oil loose M22	1	
2	0018-796110-000	Oil-bulk M26- solenoid valve	1	
3	0018-796050-000	Main pump-pilot P	1	
4	0001CB 1404WD	G1/4-M14 straight connector	1	
5	0018-700016-000	Oil source block bracket	1	
6	0018-700200-G00	Oil source block	1	
7	Q-GE15L M22X1.5	G3/8-M22 straight connector	1	
8	Q-GE15L M26X1.5	G3/8-M26 straight connector	1	

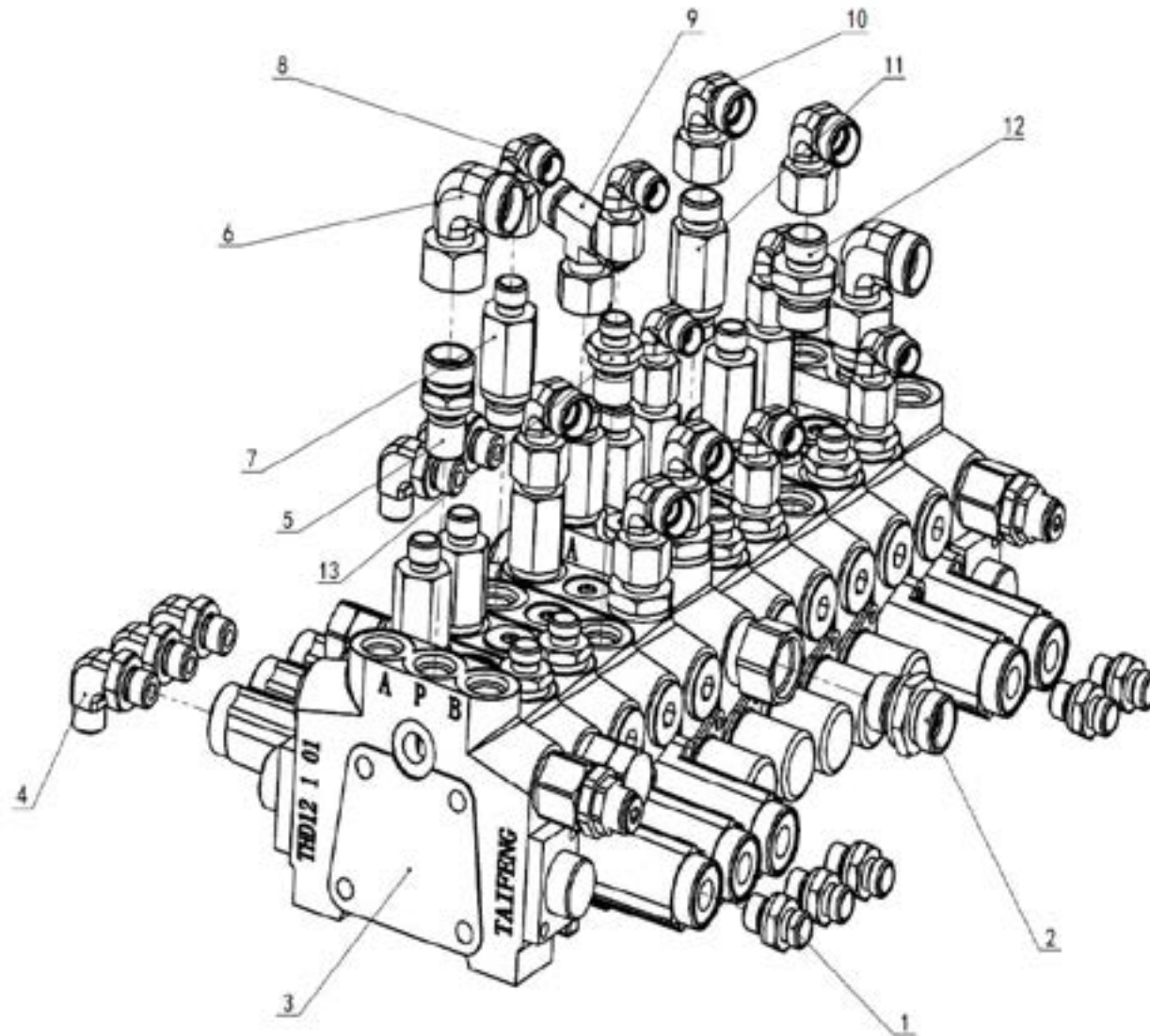
6.8 Rotary motor piping



Rotary motor piping

Item	Part number	Part name	Qty	Remark
1	0018-796080-G00	Broken ball valve-reducing tee	1	
2	0018-701100-000	KHB straight ball valve 12LR	1	
3	0018-796360-G00	Main valve B10-Slewing	1	
4	0018-796130-G00	M18 Swing drain port-fuel tank	1	
5	0001CB 1804WD	G1/4-M18 straight connector	1	
6	Q-EW12L M18X1.5	M18 internal and external thread conversion right angle	1	
7	0000CC 0018WD	Right end female M18 tee connector	1	
8	0018-796350-G00	Main valve A10-Slewing	1	
9	0000BC 0018WD	Female M18 Tee	1	
10	0018-796150-G00	Pilot T-sleeve drain port	1	
11	0001CB 1804WD	G1/4-M18 straight connector	1	
12	0001CB 1408WD	G1/4-M22 straight connector	2	
13	T0-18-14-18	Right end female thread tee reducer	1	
14	0001CB 1806WD	G3/8-M18 straight connector	1	
15	Q-GE08L G1/4 ED	G1/4-M14 straight connector	1	
16	0018-796060-G00	Pilot T1-Pilot T	1	
17	0018-796140-G00	Rotary charge port-pilot return tee	1	
18	0001CB 1804WD	G1/4-M18 straight connector	1	

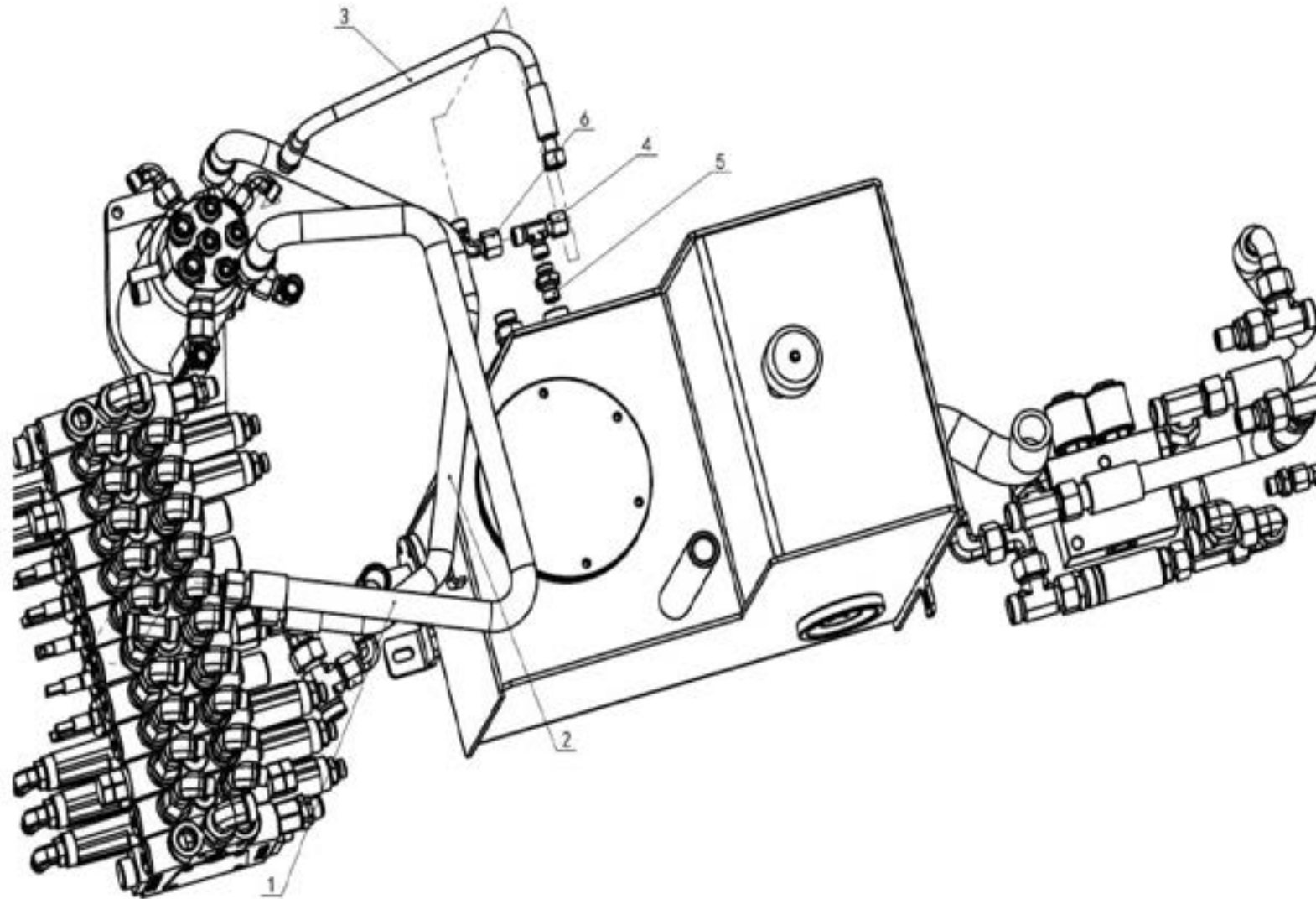
6.9 Multi-way valve joint



Multi-way valve joint

Item	Part number	Part name	Qty	Remark
1	Q-GE08L G1/4 ED	G1/4-M14 straight connector	5	
2	Q-GE15L G1/2 ED	G1/2-M22 straight connector	1	
3	THD12-DH-10-SQ-01	Multi-way valve	1	
4	Q-WEE08LG G1/4 OR	G1/4-M14 right angle adjustable joint	5	
5	0001CB 2206WD	G3/8-M22 straight connector	2	
6	Q-EW15L M22X1.5	M22 internal and external thread conversion right angle connector	2	
7	A03-14-06CS-S1-30	G3/8-M14 straight through modified connector	7	
8	Q-EW08L M14X1.5	M14 internal and external thread conversion right angle joint	5	
9	Q-ET12L M18X1.5	M18 intermediate end female thread tee connector	1	
10	Q-EW12L M18X1.5	M18 internal and external thread conversion right angle joint	5	
11	A03-18-06CS-S1-30	G3/8-M18 straight through modified connector	3	
12	0001CB 1806WD	G3/8-M18 straight connector	3	
13	Q-GE08L G3/8 ED	G3/8-M14 straight connector	7	

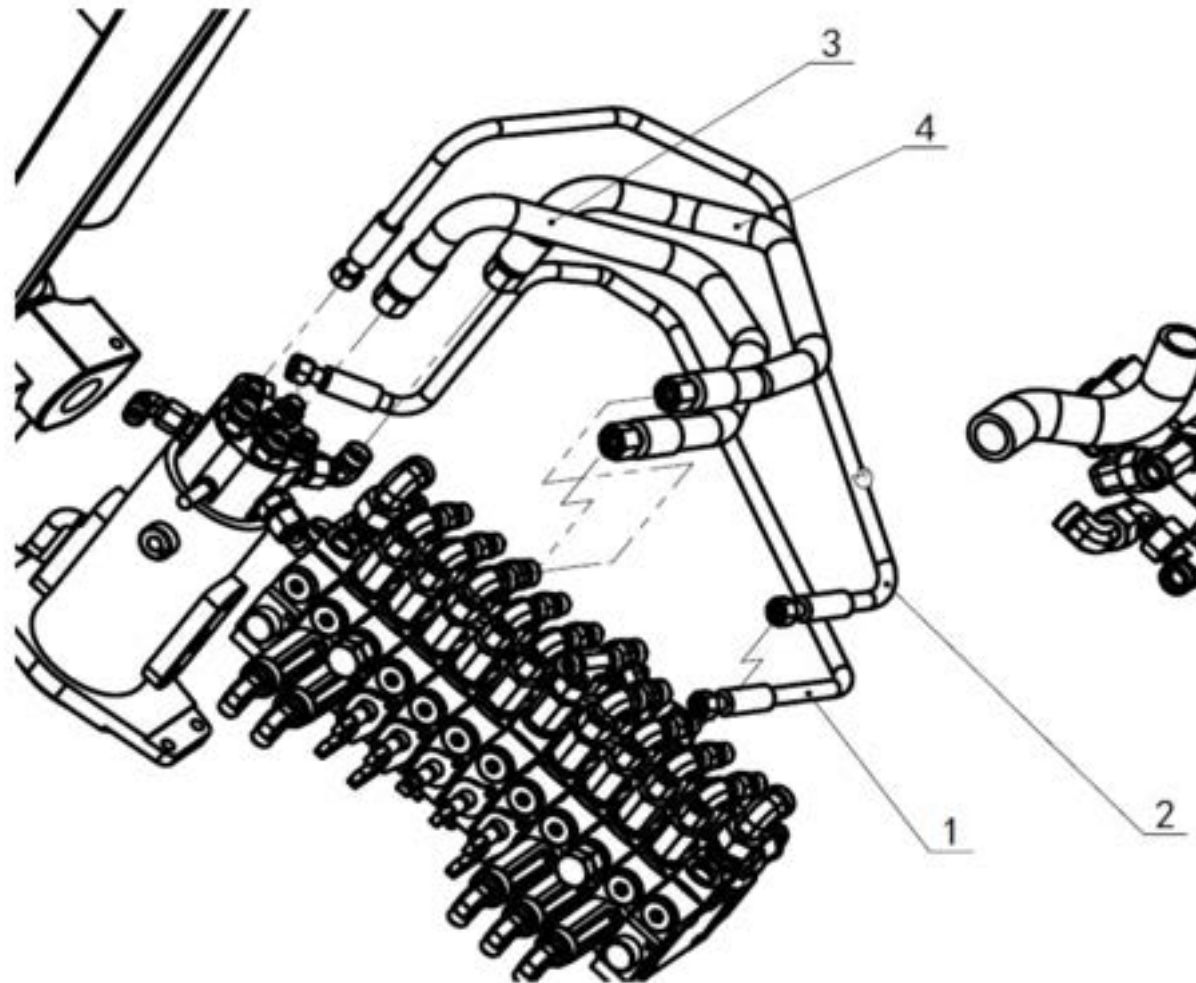
6.10 Medium return circuit (1)



Medium return circuit (1)

Item	Part number	Part name	Qty	Remark
1	0018-796260-G00	Main valve A4-rotary joint 9	1	
2	0018-796250-G00	Main valve B4-rotary joint 7	1	
3	0018-796450-G00	Rotary joint 1 - oil tank T	1	
4	Q-ET08L M14X1.5	M14 intermediate end female thread tee connector	1	
5	0001CB 1414WD	G1/4-M14 straight connector	1	
6	Q-EW08L M14X1.5	M14 internal and external thread conversion	1	

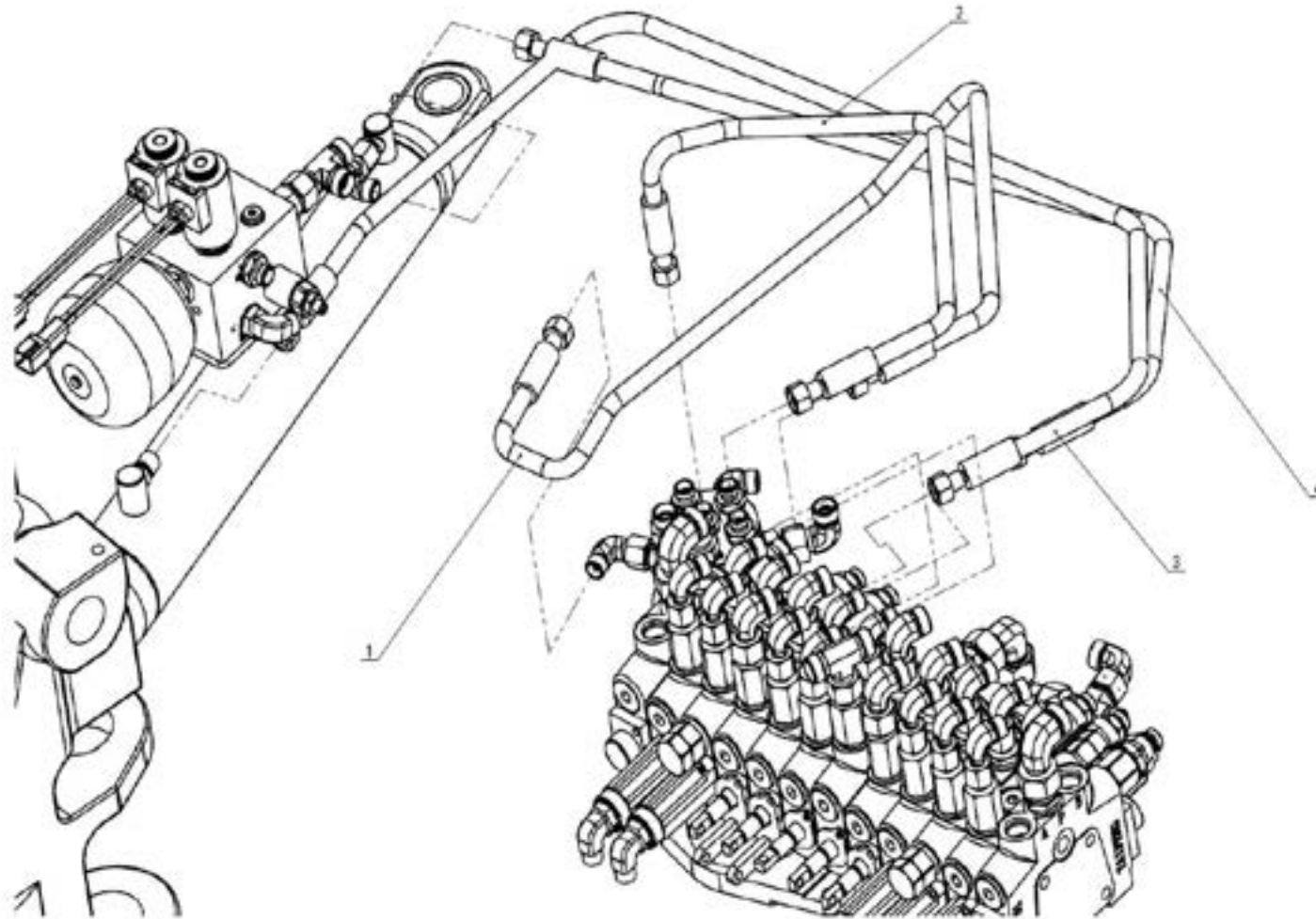
6.11 Medium return circuit (2)



Medium return circuit (2)

Item	Part number	Part name	Qty	Remark
1	0018-796280-G00	Main valve A3 - rotary joint 5	1	
2	0018-796270-G00	Main valve B3 - rotary joint 4	1	
3	0018-796300-G00	Main valve A8 - rotary joint 8	1	
4	0018-796290-G00	Main valve B8 - rotary joint 6	1	

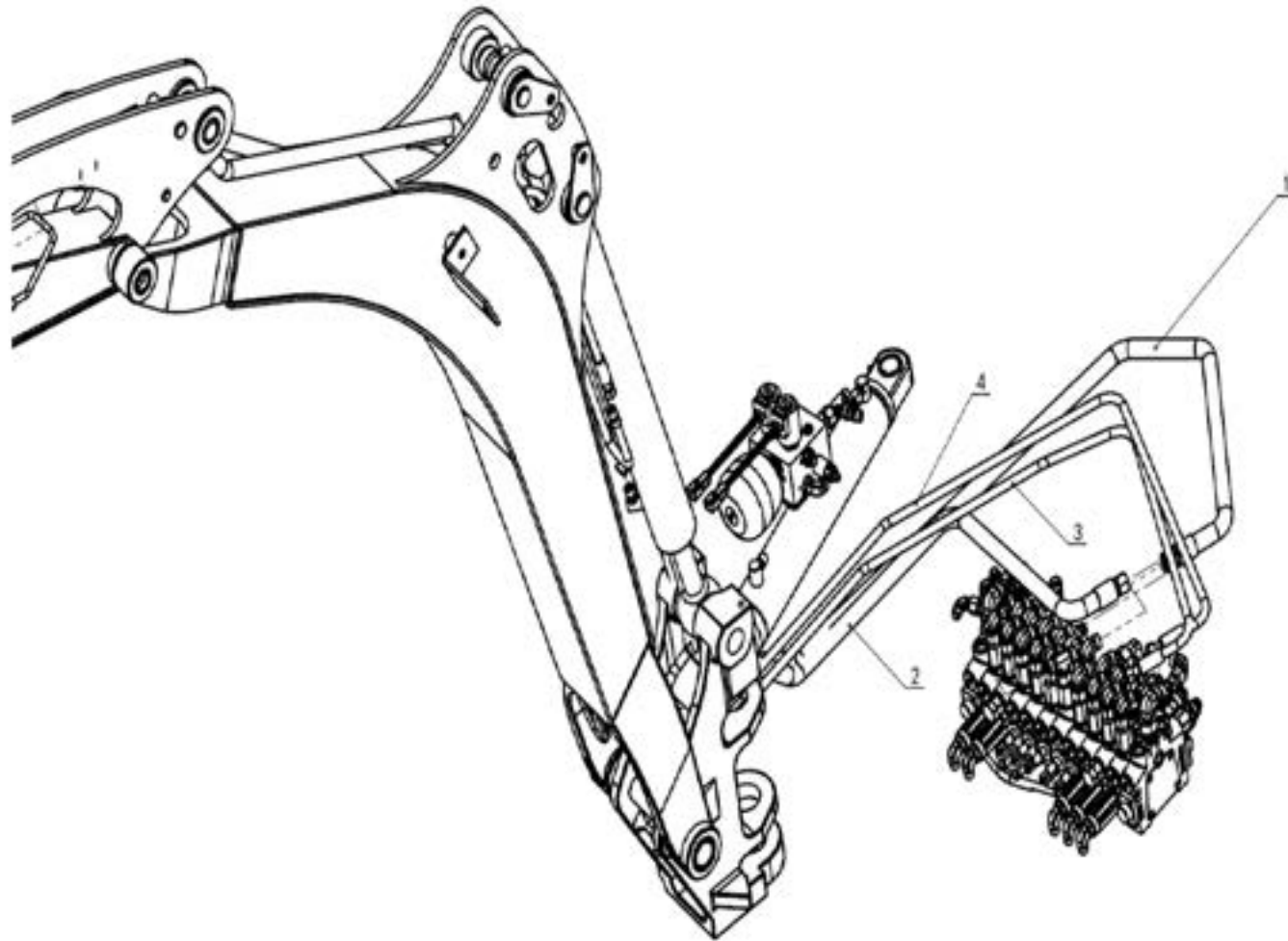
6.12 Medium return circuit (3)



Medium return circuit (3)

Item	Part number	Part name	Qty	Remark
1	0018-796320-G00	Main valve B6 - rotary joint 3	1	
2	0018-796310-G00	Main valve A6 - rotary joint 2	1	
3	0018-796330-G00	Main valve A7 - small cavity of deflection cylinder	1	
4	0018-796340-G00	Main valve B7 - large cavity of deflection cylinder	1	

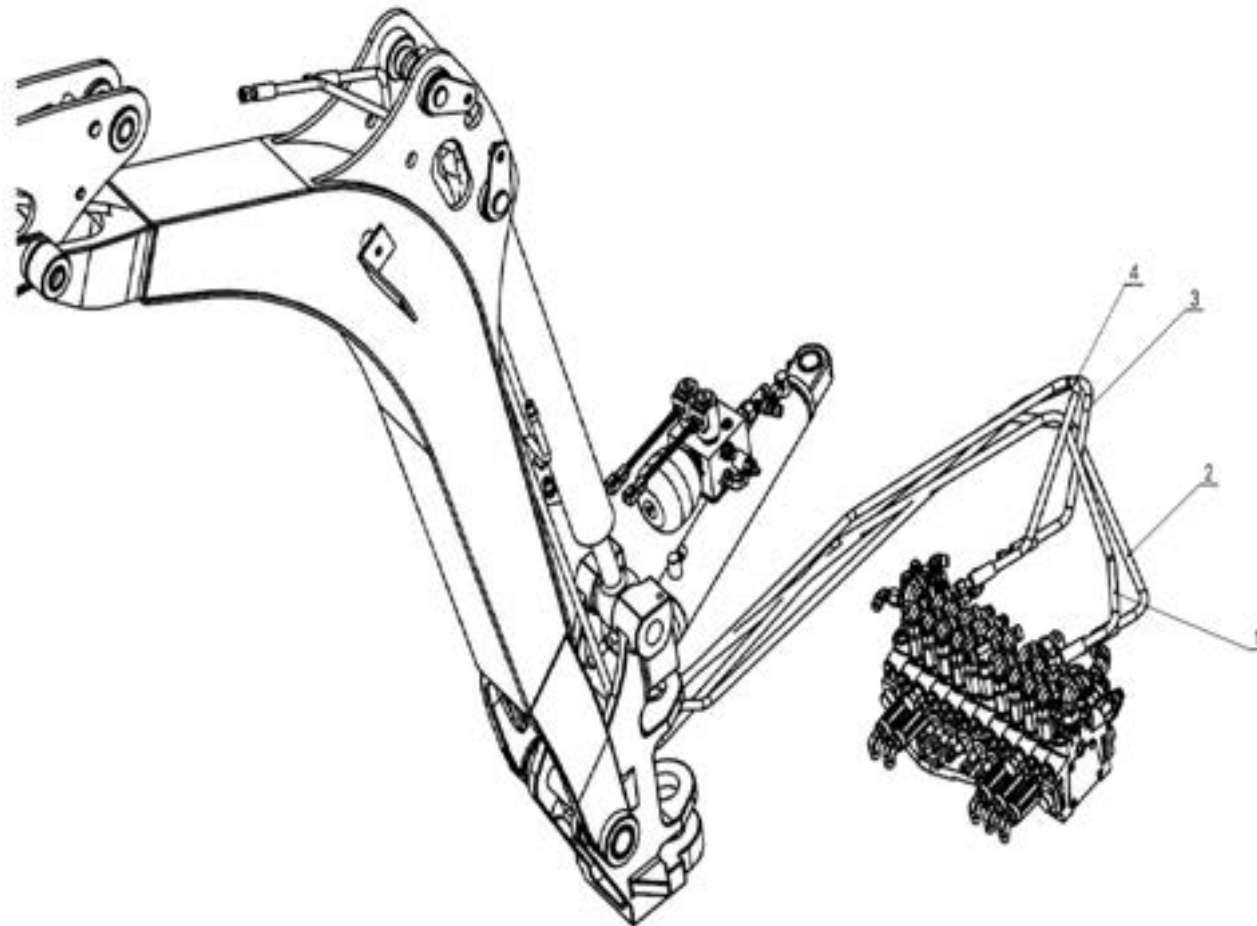
6.13 Working device oil circuit (1)



Working device oil circuit (1)

Item	Part number	Part name	Qty	Remark
1	0018-796810-G00	Main valve B5 - crushing ready-to-use joint	1	
2	0018-796800-G00	Main valve A5 - quick change solenoid valve	1	
3	0018-796210-G00	Main valve A1 - large chamber of boom cylinder	1	
4	0018-796220-G00	Main valve B1 - small chamber of boom cylinder	1	

6.14 Working device oil circuit (2)

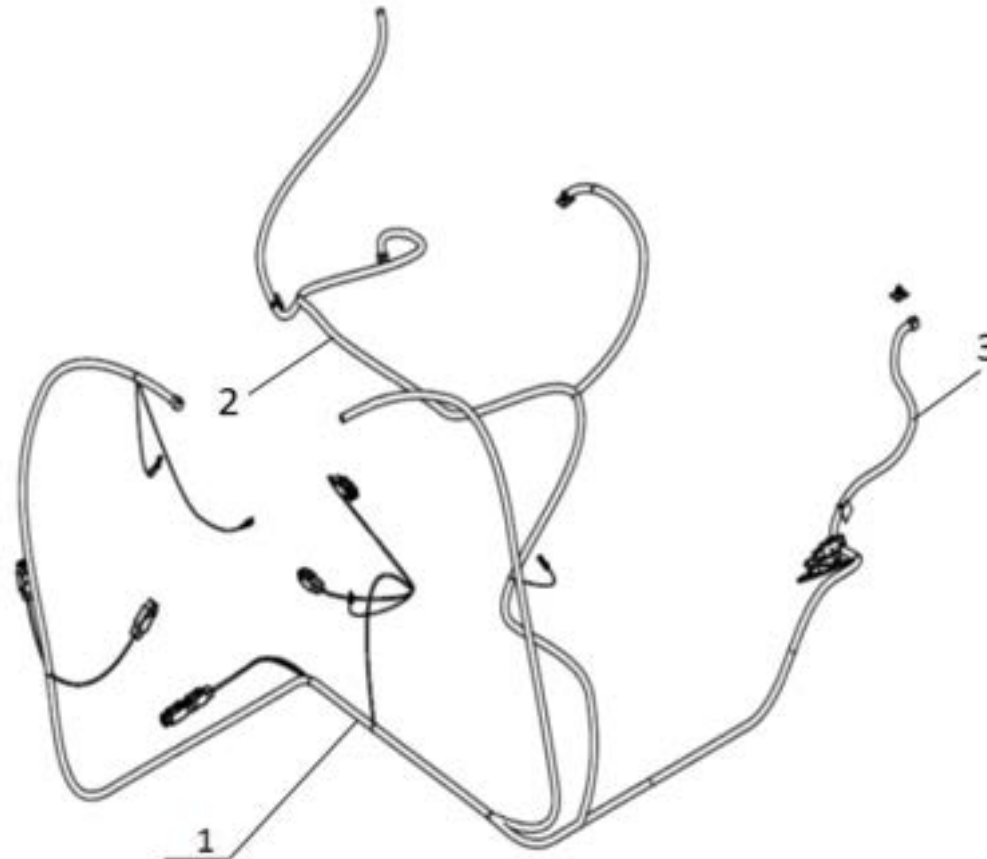


Working device oil circuit (2)

Item	Part number	Part name	Qty	Remark
1	0018-796240-G00	Main valve A2 - large chamber of stick cylinder	1	
2	0018-796230-G00	Main valve B2 - small cavity of stick cylinder	1	
3	0018-796820-G00	Main valve A9 - bucket cylinder large cavity	1	
4	0018-796830-G00	Main valve B9 - bucket cavity of bucket	1	

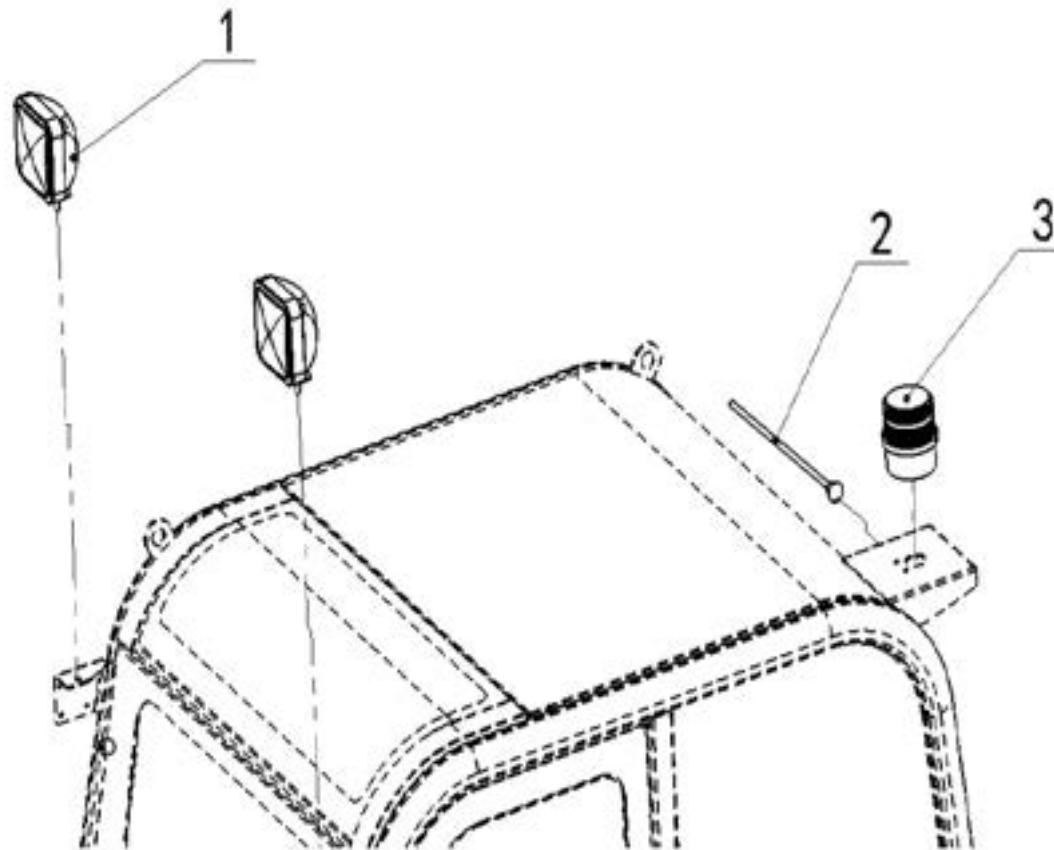
7. ELECTRICAL SYSTEM

7.1 Electrical system (1)



Electrical system (1)				
Item	Part number	Part name	Qty	Remark
1	0018-810100-000	Main harness	1	
2	0018-810200-000	Handrail box branch harness	1	
3	0018-810300-000	Arm branch harness	1	

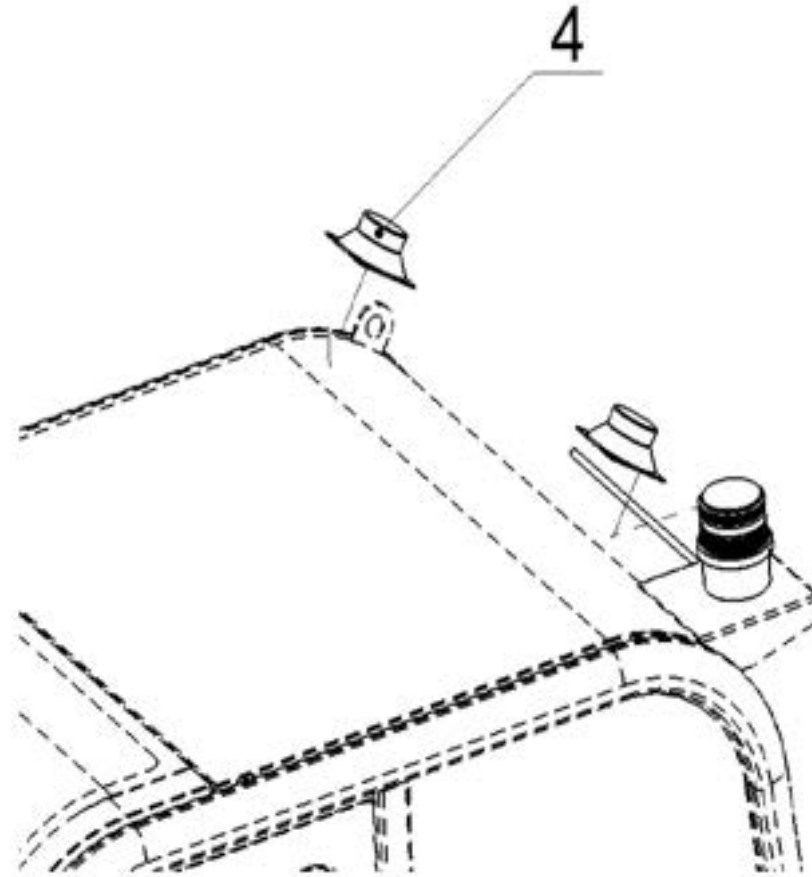
7.2 Electrical system (2)



Electrical system (2)

Item	Part number	Part name	Qty	Remark
1	1130-921000-000	Working light	2	
2	0018-810700-000	Radio antenna	1	
3	1130-922000-000	Warning light	1	810

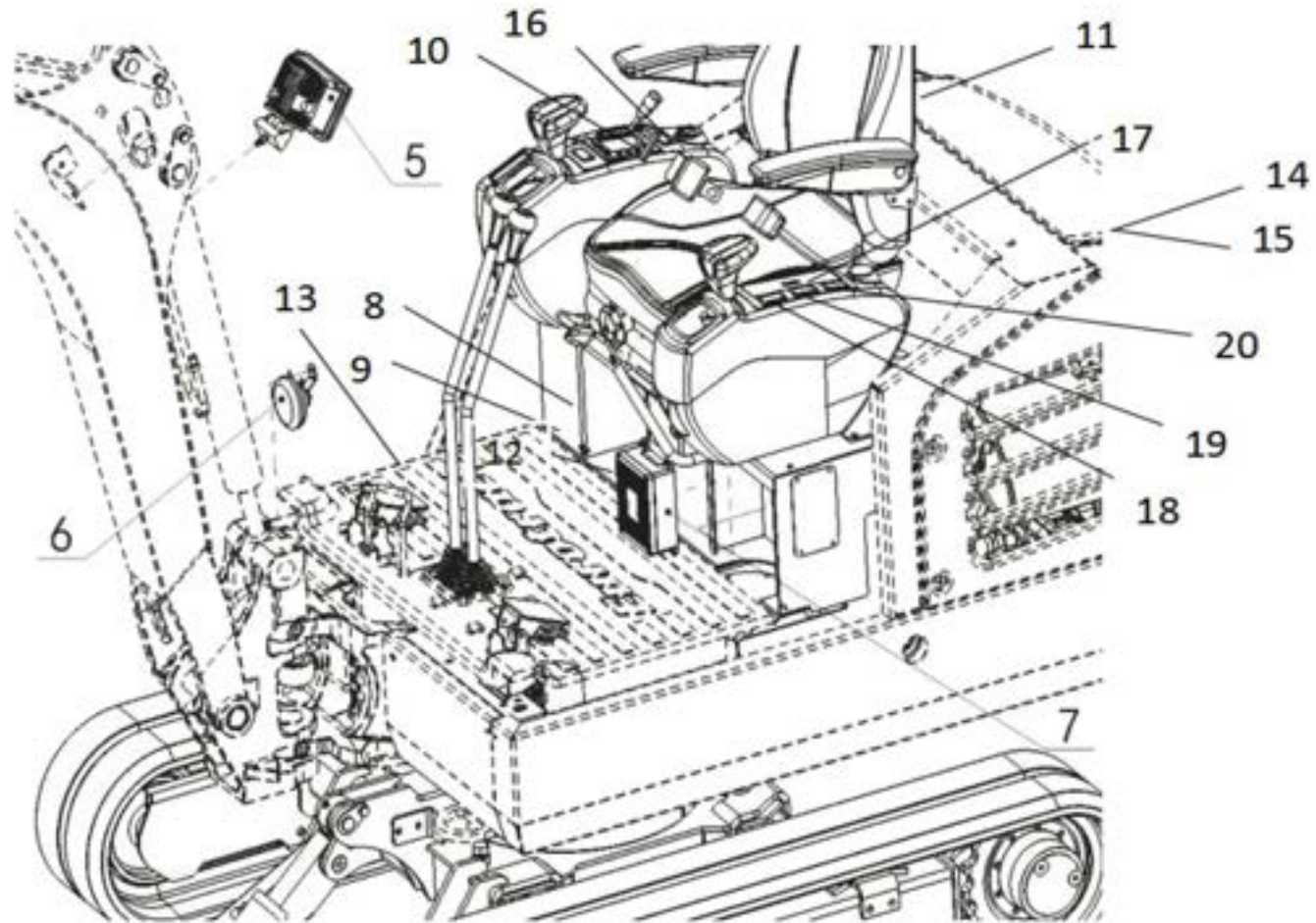
7.3 Electrical system (3)



Electrical system (3)

Item	Part number	Part name	Qty	Remark
4	0018-811500-00	Loudspeaker	2	

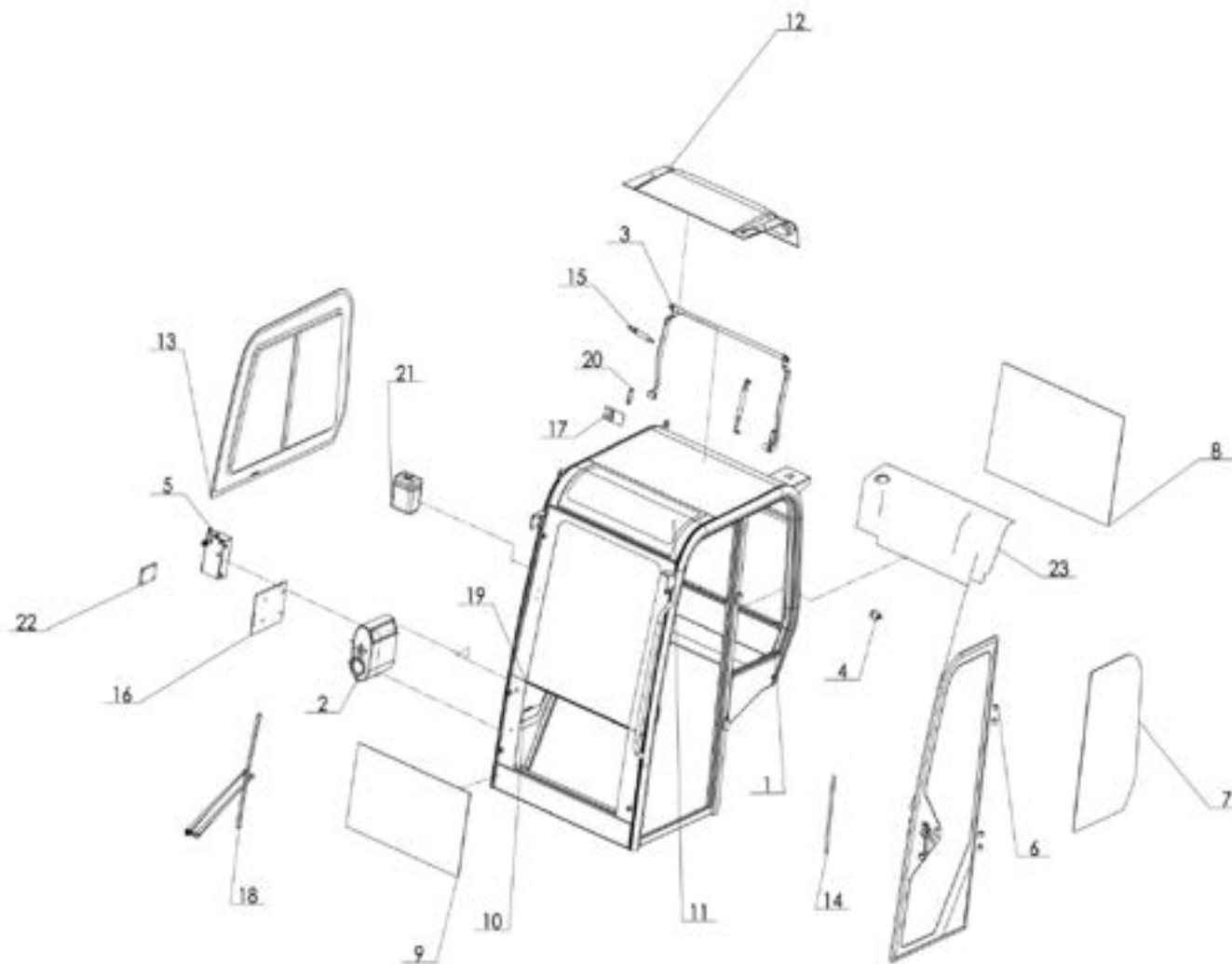
7.4 Electrical system (4)



Hydraulic system (4)				
Item	Part number	Part name	Qty	Remark
5	0018-811700-000	Swing arm lamp	1	
6	1130-701100-G00	Horn	1	
7	0018-811400-000	Control box	1	
8	1130-703000-G50	Battery (6-QW-60 L24000)	1	
9	1130-700305-000	Pressing plate	1	
10	0018-811100-000	Instrument (WZB200-SQ)	1	
11	XD-105	Scrubber pot	1	
12	0018-812100-000	Oil sensor	1	
13	SYGON-518	Heater	1	
14	1130-701200-G00	Fuse box	1	
15	1130-701201-G00	Fuse (60A)	1	
16	1130-700019-G00	Warning light switch	1	
17	0018-810600-000	Radio	1	
18	1130-710014-G00	Working light switch	1	
19	0018-810900-000	Heater switch	1	
20	0018-811000-000	Quick change solenoid valve	1	

8. CAB SYSTEM

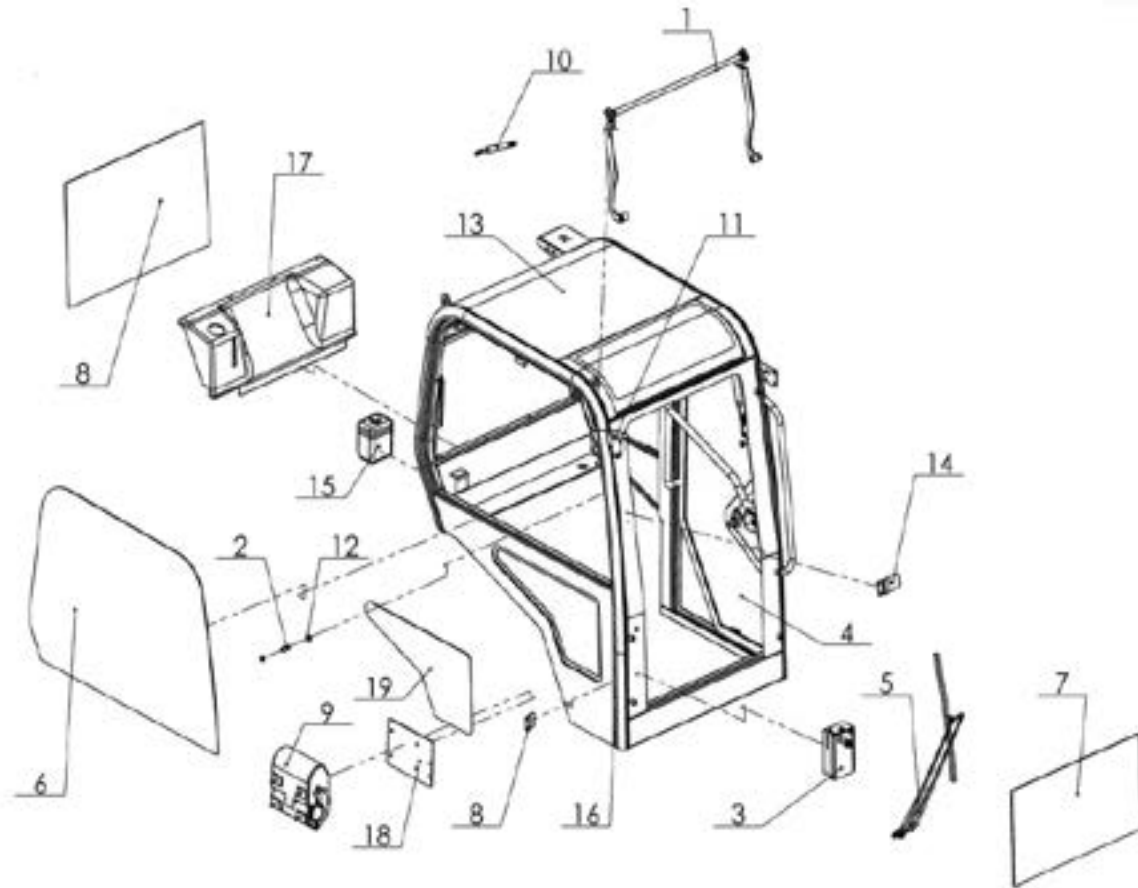
8.1 Cab system assembly (left)



Cab system assembly (left)

Item	Part number	Part name	Qty	Remark
1	0018-910000-020	Cab welding	1	
2	(SYGCN-518)	Heater	1	
3	0018-970000-000	Movable window frame	1	
4	750906000000	Door hit lock body	1	
5	0018-960000-000	Wiper motor mounting box	1	
6	0018-950000-000	Left door	1	
7	0018-900004-000	Left rear glass	1	
8	0018-900003-000	Rear window glass	1	
9	0018-900001-000	Front lower window glass	1	
10	0018-900002-000	Right lower window glass	1	
11	810-470001-200	Top glass	1	
12	0018-900009-000	Cab top cover	1	
13	0018-900300-000	Right window glass assembly	1	
14	0018-910029-010	Plate	1	
15	0018-900400-000	Gas Spring	2	
16	0018-900016-000	Heater bracket	1	
17	0018-900010-000	Wiper bracket	1	
18	750699000000	Wiper blade	1	
19	0018-940000-000	Front moving window	1	
20	0018-900018-000	Pad	2	
21	0018-900027-000	Windshield washer	1	
22	0018-900006-000	Windshield washer mounting bracket	1	
23	0018-900025-010	Cab rear trim	1	

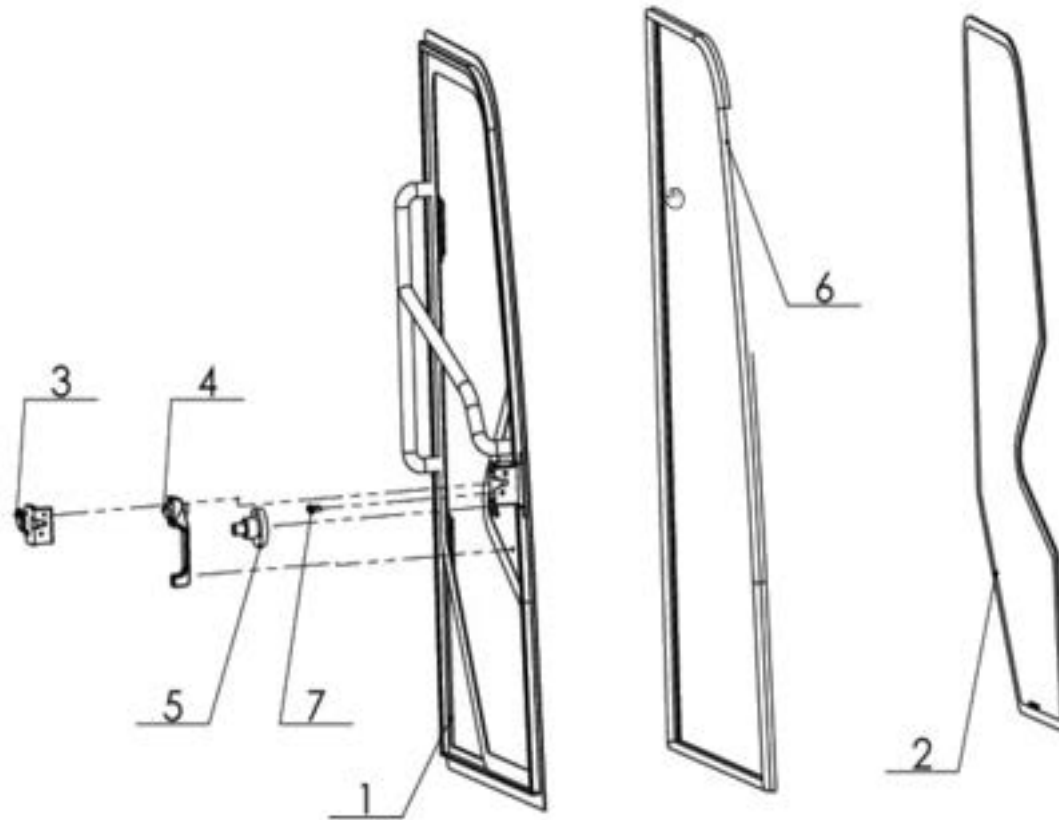
8.2 Cab system assembly (right)



Cab system assembly (right)

Item	Part number	Part name	Qty	Remark
1	0018-970000-000	Movable window frame	1	
2	0018-920002-000	Nylon bushing	2	
3	0018-960000-000	Wiper motor mounting box	1	
4	0018-950000-000	Left door	1	
5	750699000204	Wiper Blade	1	
6	0018-900300-000	Right window glass assembly	1	
7	0018-900001-000	Front lower window glass	1	
8	0018-900011-000	Lower side glass baffle	2	
9	(SYGCN-518)	Heater	1	
10	0018-900400-000	Gas Spring	2	
11	750906000027	Door hit lock body	1	
12	0018-920001-000	Nylon gasket	4	
13	0018-900009-000	Cab top cover	1	
14	0018-900010-000	Wiper bracket	1	
15	0018-900027-000	Windshield washer	1	
16	0018-900006-000	Windshield washer mounting	1	
17	0018-900025-010	Cab rear trim	1	
18	0018-900016-000	Heater bracket	1	
19	0018-900002-000	Right lower window glass	1	

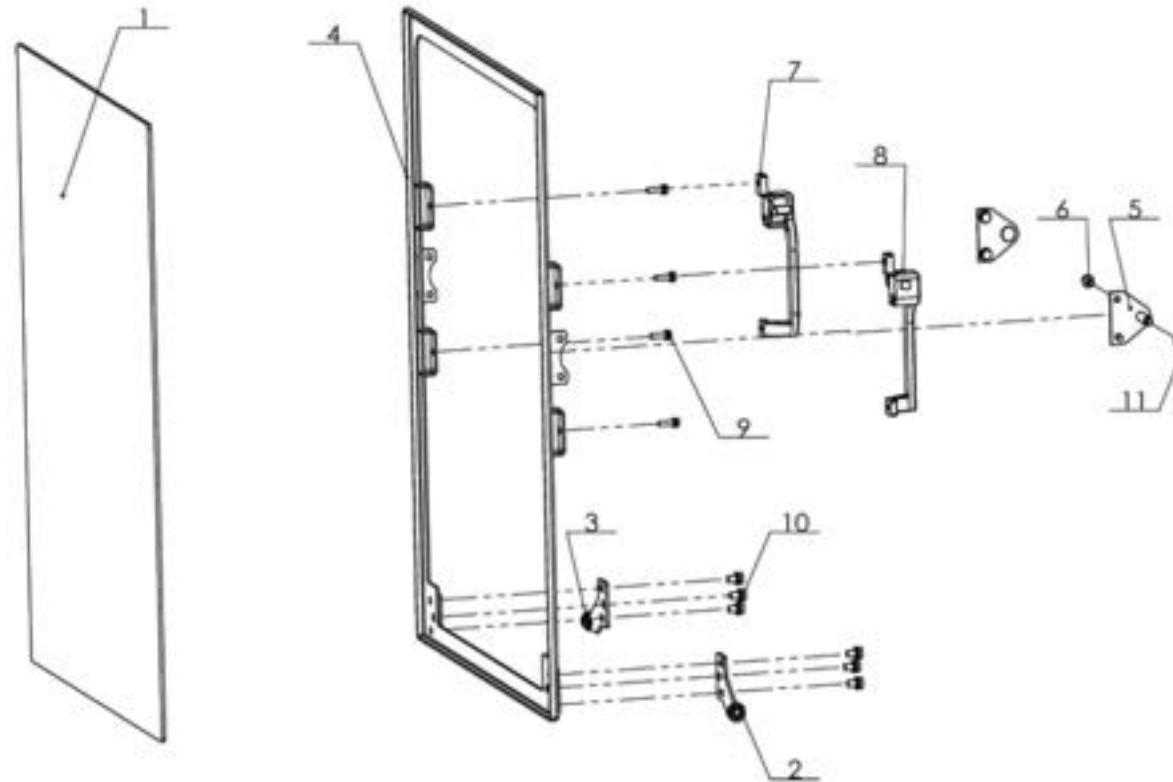
8.3 Left door



Left door

Item	Part number	Part name	Qty	Remark
1	0018-951000-000	Left door weldment	1	
2	0018-950001-000	Cab door glass lower	1	
3	-	Forklift cab left lock	1	
4	-	Door handle	1	
5	806947070000	Rear lock assembly	1	
6	-	Rear window rubber strip	1	
7	907417 060201	Combination bolt M6x20	2	

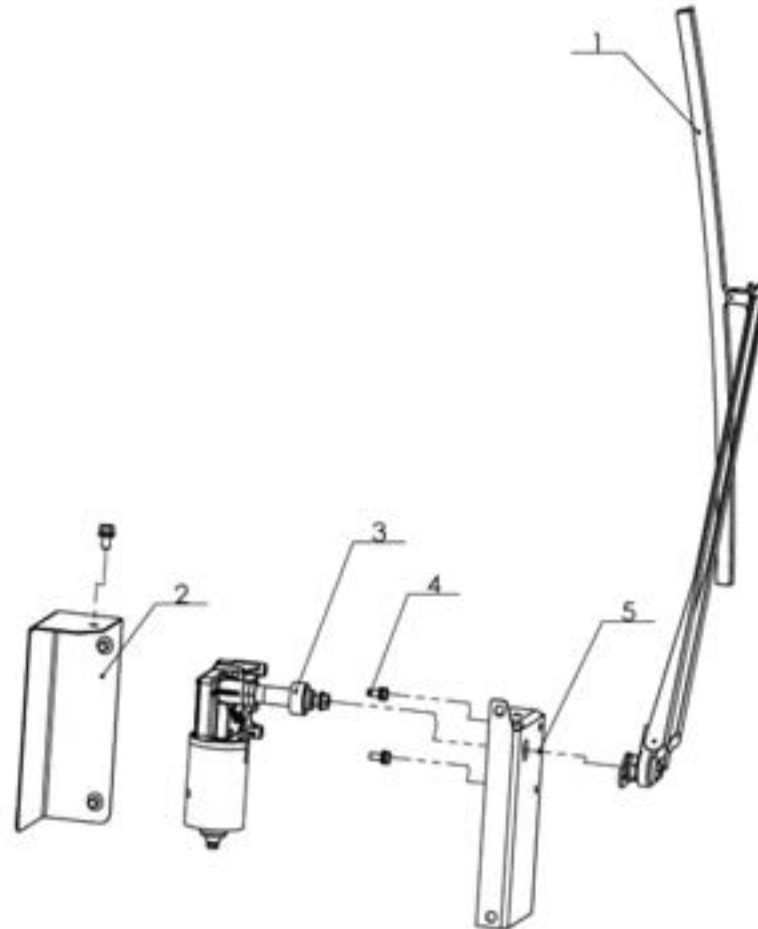
8.4 Front moving window



Front moving window

Item	Part number	Part name	Qty	Remark
1	0018-940001-000	Front moving window glass	1	
2	0018-942000-000	Moving window bracket	2	
3	GB/T276-94	Deep groove ball bearing 609-2Z	2	
4	0018-941000-000	Front moving window welding	1	
5	0018-943000-000	Pull rod bracket welding	2	
6	907417 080201	Combination bolt M8x20	4	
7	DS525-L	Front window zipper	1	
8	DS525-R	Handle	1	
9	907417 060251	Combination bolt M6x25	4	
10	907417 080161	Combination bolt M8x16	6	
11	GB/T6177.1-2000	Hexagon flange nut M8	2	

8.5 Wiper assembly



Wiper assembly				
Item	Part number	Part name	Qty	Remark
1	750699000204	Wiper Blade	1	
2	0018-960001-000	Wiper motor housing	1	
3	GC1333	Wiper motor	1	
4	907417 060161	Combination bolt M6x16	2	
5	0018-961001-000	Mounting plate	1	