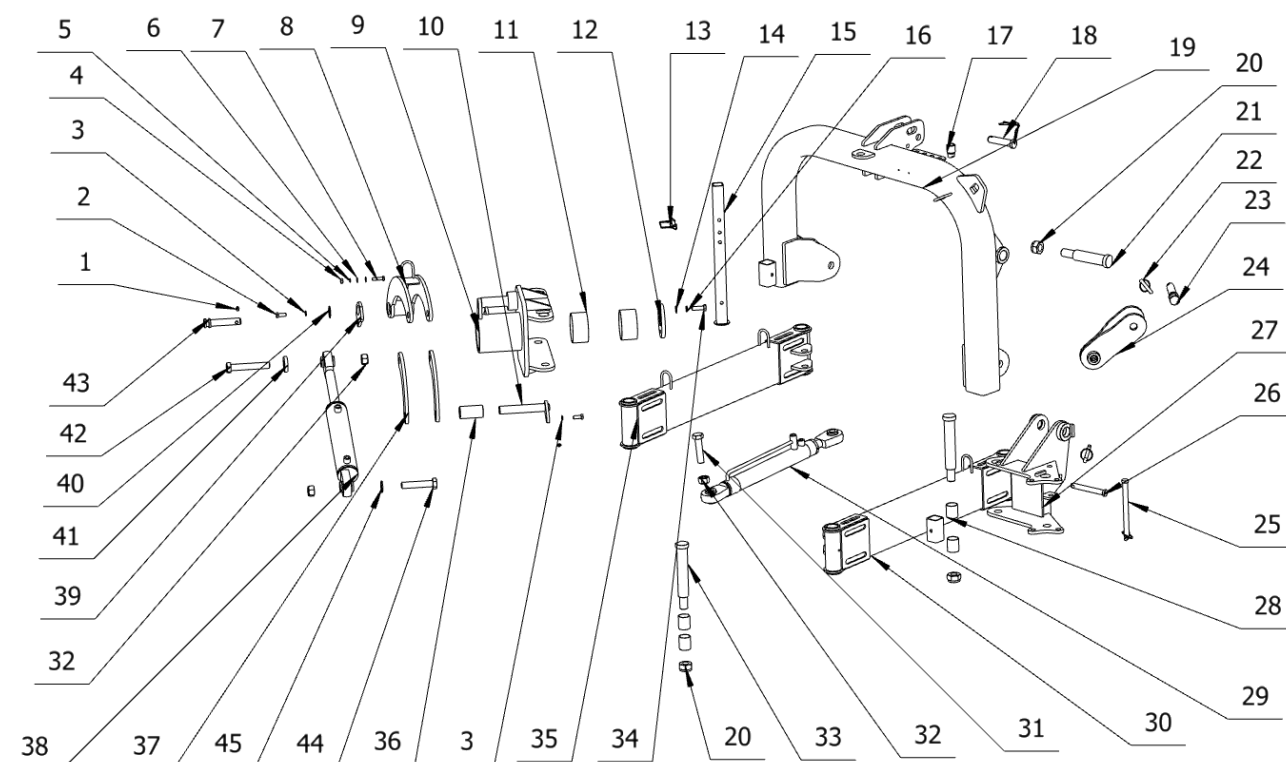




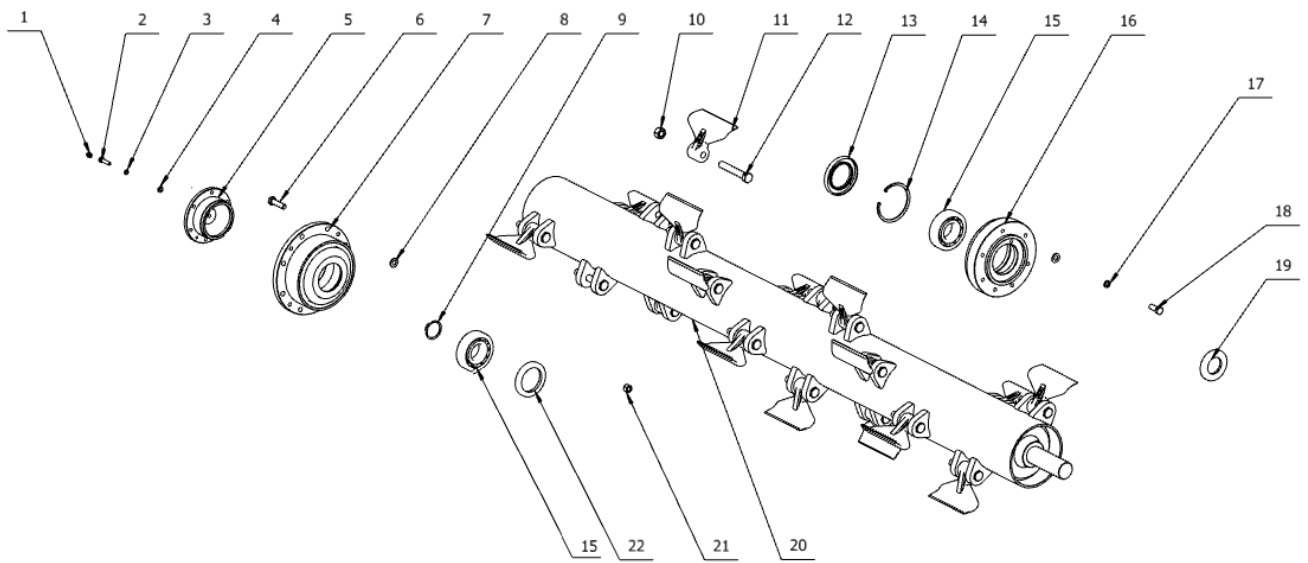
9-3	VM180.017A	809970002	(L=1725) blade shaft (180)	1
9-4	VM200.017A	808190007	(L=1925) blade shaft (200)	1
9-5	VM220.017A	807690025	(L=2125) blade shaft (220)	1
9-6	VM240.017A	809990013	(L=2325) blade shaft (240)	1
10	GB93-10	506030036	10 spring washer	10
11	GB97.1-10	506010056	10 plain washer	5
12	EFAG140.111C	709950011	Wide board(right corner cut)	1
13	AGFR245-0000-03	709880003	1 seal cover plate	1
14	DIN985-M14	503010764	M14 Hexa locking thin nut	11
15	GB97.1-14	506010058	14 plain washer	14
16	GB5783-M14X45	501011143	M14X45 crew bolt	10
17	AGFR245-1900-00	809880100	1 gear box seat weldment	1
18	GB5786-M16X1.5X60	501011907	M16X1.5X60 Screw bolt	2
19	GB5783-M12X30	501011126	M12X30 Screw bolt	11
20	EFAGF200.031-N	809820050	Left side pedestal weldment	1
21	GB97.1-12	506010057	平墊 12 plain washer	20
22	DIN985-M12	503010763	M12 Hex locking thin nut	14
23	DIN985-M10	503010762	M10 Hex locking thin nut	2
24	GB5783-M10X25	501011112	M10X25 Screw bolt	2
25	AGFR245-2200-00	809880109	1 Belt pulley underneath cover	1
26	EFAGF200.029-N	809820022	Right side Scraper hanger	1
27	GB1152-M6	509010007	M6 oil cup	2
28	DIN985-M16	503010765	M16 Hex locking thin nut	24
29	GB97.1-16	506010059	16 plain washer	6
30	EFAG200.020-N	809820026	左滾筒掛板焊合件 left side roller hanger weldment	1
31	GB5783-M16x45	501011159	M16X45 screw bolt	6
32	CFW-50x65x8	510020443	50X65X8 FB oil seal	2
33	GB70.1-M10x30	505011430	M10X30 Hexa socket cap screws	8
34	VM190.112	702740057	Roller bearing seat	2
35	GB276-62208-Z	511025360	Deep groove ball bearings	2
36	GB893.1-80	506060191	Check ring	2
37	VM190.107	702740052	Adjusting pad	2
38	GB812-M35X1.5	503020073	M35X1.5 round nut	2
39	GB3452.1-G-150X3.55	510013277	O seal	2
40-1	AGZ-140.017-N	809950006	Pole (140N)	1
40-2	AGZ-160.017-N	809960006	Pole (160N)	1
40-3	AGZ-180.017-N	809970006	Pole (180N)	1
40-4	AGZ-200.017-N	809820031	Pole (200N)	1
40-5	AGZ-220.017-N	809920002	Pole (220N)	1
40-6	AGZ-240.017-N	809990002	Pole (240N)	1
41	EFAG140.142-AGMZ	702650044	Lubricating nipple seat	1

42	DIN985-M8	503010761	M8 Hex locking think nut	4
43	GB70.1-M8X20	505011415	M8X20 Hexa socket cap screws	4
44	RKH120-BS	705290212	Handle	2
45-1	AGZ-140.012-N	809950005	Back shield (140N)	1
45-2	AGZ-160.012-N	809960005	Back shield (160N)	1
45-3	AGZ-180.012-N	809970005	Back shield (180N)	1
45-4	AGZ-200.012-N	809820029	Back shield (200N)	1
45-5	AGZ-220.012-N	809920001	Back shield (220N)	1
45-6	AGZ-240.012-N	809990001	Back shield (240N)	1
46	AGMZ-200.017-N	809820033	Rabbet board weldment	1
47	GB5782-M14X100	501010773	M14X100 Half-tread bolt	1
48	EFAGF200.033-N	809820052	Scraper studdle	1
49	EFAGF200.230-N	709820059	Spacer bush	1
50	GB93-14	506030038	14 spring washer	2
51	GB6170-M14	503010048	M14 hexa nut	4
52-1	EFAGF140.219-N	709950015	Scraper(140N)	1
52-2	EFAGF160.219-N	709960013	Scraper(160N)	1
52-3	EFAGF180.219-N	709970013	Scraper(180N)	1
52-4	EFAGF200.219-N	709820038	Scraper(200N)	1
52-5	EFAGF220.219-N	709920009	Scraper(220N)	1
52-6	EFAGF240.219-N	709990009	Scraper(240N)	1
53	GB70.3-M12x30	505011750	M12x30	2
54	AGFR245-2000-00	809880103	1 Belt pulley upper cover	1
55	GB96.1-10	506010036	Extra large plain wahser	4
56	REACH15-33X80	515010004	33X80 power lock	1
57	REACH15-45X80	515010011	45X80 power lock	1
58	AGFR245-0000-15	709880016	Small belt pulley	1
59	AGFR245-0000-16	709880017	Big belt pulley	1
60-1	17X1270	514010005	Toothed belt(140N、 160N、 180N)	4
60-2	17X1270	514010005	Toothed belt(200N、 220N、 240N)	5
61-1	VM140.015	809950001	(L=1220) Roller (140)	1
61-2	VM160.015	809960001	(L=1420) Roller (160)	1
61-3	VM180.015	809970001	(L=1620) Roller (180)	1
61-4	VM200.015	806050022	(L=1820) Roller (200)	1
61-5	VM220.015	806060022	(L=2020) Roller (220)	1
61-6	VM240.015	806070022	(L=2220) Roller (240)	1
62	EFAGF200.028-N	809820019	Left side scraper hanger	1



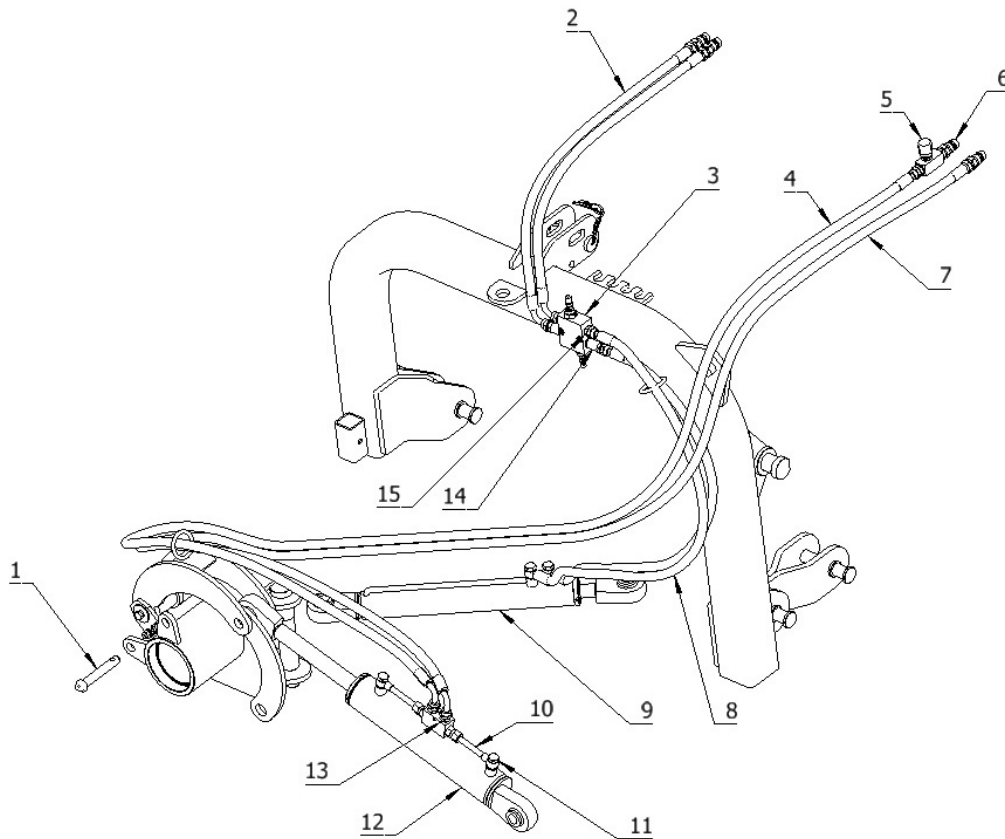
1	GB1152-M10X1	509010009	M10X1 oil cup	7
2	GB5783-M12x30	501011126	M12x30 Screw bolt	2
3	GB93-12	506030037	12 spring washer	2
4	GB6170-M10	503010046	M10 hexa nut	2
5	GB93-10	506030036	10 spring washer	2
6	GB97.1-10	506010056	10 plain washer	4
7	GB5783-M10x40	501011115	M10x40 screw bolt	2
8-1	EFAGF140.027	802680109	Moon plate(140N、160N、180N)	1
8-2	AGFR245-1100-00	809880084	Moon plate(200N、220N、240N)	1
9-1	EFAGF140.025J	809450009	Horizontal swing spindle (140N、160N、180N)	1
9-2	AGFR245-2300-00	809880112	Horizontal swing spindle (200N、220N、240N)	1
10	EFAGF200.034-N	809820068	Push pin	1
11	SF-2-110X115X60	511050224	Self-lubricating bearing	2
12	EFAGF140.105	702680004	End cover	1
13	EF100.00.111A	800920101	Square cotter	2
14	GB97.1-14	506010058	14 plain washer	4
15	AGFR245-0400-00	809880062	Short supporting leg	2
16	GB93-14	506030038	14 spring washer	4

17	AGFR245-2500-00	809820065	Fixed sleeve	4
18	1G-180-00-019	805760001	Upper hanging pin	1
19	AGFR245-0100-00	809880022	Suspension bracket	1
20	DIN985-M30X2	503010749	Hexa locking thin nut	5
21	EFAGF140.106	702680005	Short pin	1
22	200.56.011	700080010	Lock pin	5
23	EFAG140.014A-1	706790181	Underneath hanging pin	3
24	EFAGF140.030	802680113	Moving suspension frame	1
25	EFAGF200.218-N	709820037	Safety pin	1
26	AGFR245-0000-14	709880015	1 steady pin	1
27	AGFR245-0500-00	809880064	Horizontal swing seat	1
28	SF-2-40X44X50	511050223	Self-lubricating bearing	8
29	EFAGF140.021-N	809880122	Shift cylinder	1
30	AGFR245-0600-00	809880069	Swing arm weldment	1
31	GB5782-M24x100	501010438	M24x100 Half thread bolt	2
32	DIN985-M24	503010769	Hexa locking thin nut	3
33	EFAGF140.101	702680001	Long pin	4
34	GB5783-M14x45	501011143	M14x45 screw bolt	4
35	AGFR245-1200-00	809880085	1 swing arm	1
36	EFAGF200.236-N	709820072	Spacer bush	1
37	EFAGF140.107A	707690024	Push plate	2
38	EFAGF140.024	802680095	Side swing cylinder	1
39	EFAGF140.102A	707690022	Locking plate	1
40	EFAGF140.103A	707690023	Washer	1
41	EFAGF200.235-N	709820071	Cylinder bushing	1
42	GB5782-M24x150	501010836	M24x150 Half thread bolt	1
43	AGFR245-0000-02	709880002	Transport fixed pin	1
44	GB5782-M24X120	501010833	M24 Half-thread bolt	1
45	GB97.1-24	506010063	24 plain washer	1



1	GB1152-M10X1	509010009	M10X1 oil cup	1	
2	GB5783-M8x30	501011101	M8x30 bolt	6	
3	GB93-8	506030035	8 spring washer	6	
4	GB97.1-8	506010055	8 plain washer	6	
5	VM190.163-N	709880021	Bearing seat oil nipple	1	
6	GB5783-M12x45	501011129	M12x45 screw bolt	8	
7	AGFR245-0000-11	709880011	Left side bearing seat	1	
	VM190.110-N-LS	709820039		1	
8	GB97.1-12	506010057	12 plain washer	15	
9	GB894.1-45	506060323	Check ring	1	
10	DIN985-M16	503010765	M16 Hexa lock thin nut	20	
11	EFAG140.103	702480120	Hammer	20	
12	GB5782-M16x90	501010783	M16x90 Half thread bolt	20	
13	CFW-65X100X10	510020439	FB seal	1	
14	GB893.1-100	506060199	Check ring	1	
15	GB281-1309	511024245	Self-aligning ball bearing	2	
16	VM190.111-N	709820040	Right side ball bearing	1	
17	GB93-12	506030037	Spring washer	7	
18	GB5783-M12x30	501011126	M12x30 screw bolt	7	
19	CFW-45X80X8	510020444	FB oil seal	1	
20-1	VM140.017A	809950002	(L=1325) Blade shaft (140)	1	
20-2	VM160.017A	809960002	(L=1525) Blade shaft (160)	1	
20-3	VM180.017A	809970002	(L=1725) Blade shaft (180)	1	
20-4	VM200.017A	808190007	(L=1925) Blade shaft (200)	1	
20-5	VM220.017A	807690025	(L=2125) Blade shaft (220)	1	
20-6	VM240.017A	809990013	(L=2325) Blade shaft (240)	1	

21	DIN985-M12	503010763	M12 Hexa locking thin nut	8	
22	CFW-65X90X10	510020626	FB oil seal	1	



1	AGFR245-0000-02	709880002	Steady pin	1	
2	EFAGF140.022A	702680118	(L=2000) Pipeline	2	
3	HM-ZYF-0	802710112	Over load valve	1	
4	EFAGF140.023J	702680133	(L=3600) Pipeline	1	
5	FV10-1-10/2-G3/8	706590117	Flow control valve	1	
6	QUICK-COUPLING-G 1/2-G	703820055	Quick change pin end	4	
7	EFAGF140.023A	702680116	(L=3600) pipeline	1	
8	EFAGF140.020A	702680119	(L=1300) Short pipeline	2	
9	EFAGF140.021	802680092	Shift cylinder	1	
10	AGF140.089	807690035	Steel tube	2	
11	GB3541-M16X1.5	501014708	Knuckle bolt	4	
12	EFAGF140.024	802680095	Side swing cylinder	1	
13	HM-2S01-K8-0	702710109	Double side hydraulic pin	1	
14	LSP-18T-205	702710111	Valve oil outlet connector	2	
15	1CB-18-06WD	700250036	M18X1.5-G3/8 connector	2	

