

Spare parts catalog

Wheel loader

Type: H220

Version: 1.0

Date: 2024/09/07

General information

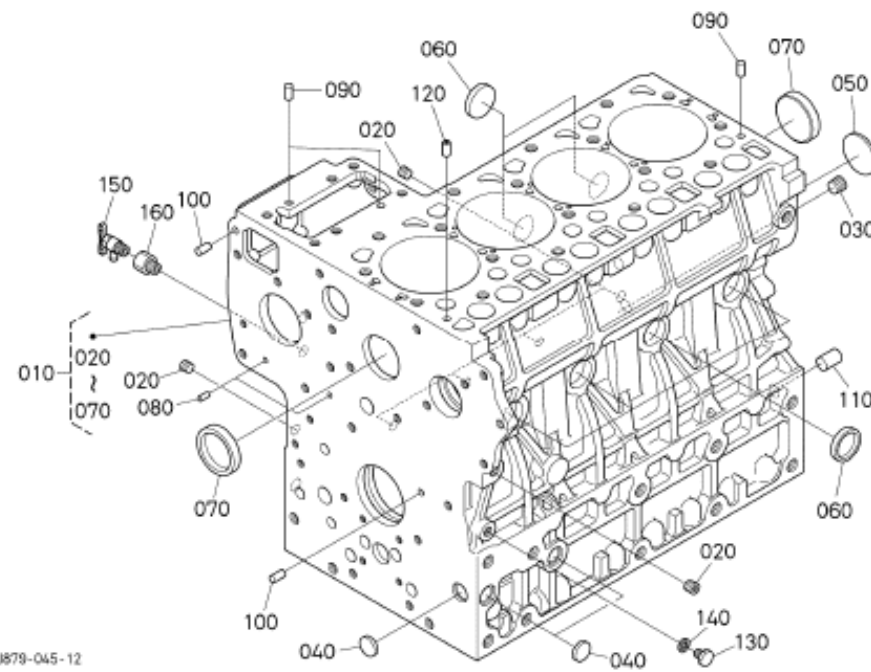
This document may not be updated in real time because the product is updated and optimized at any time.

Contents

1	Engine	
1.1	Kubota V2403-M-DI-E3B-CSL1T	1
1.2	YANMAR 4TNV88	83
2	Hydraulic filtration system and fuel tank	
2.1	Hydraulic filtration system and fuel tank	137
3	Cab assembly	
3.1	Cab assembly	139
4	Steering column cover	
4.1	Steering column cover	143
5	Frame	
5.1	Frame.....	145
6	Hood and fenders	
6.1	Hood and fenders (narrow)	149
6.2	Hood and fender (width)	151
7	Loading system/armsystem	
7.1	Loading system/armsystem	155
8	Quickhitch plate	
8.1	European style quick change	157
8.2	Swedish quick change	159
8.3	Standard quick change	161

Contents

9	Counterweight and traction	
9.1	Counterweight and traction	163
10	Bucket assembly	
101	H220 standard bucket 1.2 meters 0.35 square meters	165
10.2	H220 standard bucket 1.5 meters 0.43 square meters	167
10.3	H220 Swedish bucket 1.2 meters 0.35 square meters	169
10.4	H220 Swedish bucket 1.5 meters 0.43 square meters	171
10.5	H220 Swedish flat bucket 1.6 meters	173
10.6	H220 Swedish flat bucket 2 meters	175
10.7	H220 European bucket 1.2 meters 0.35 cubic meters	177
10.8	H220 European bucket 1.5 meters 0.43 square meters	179
11	Assistive devices	
11.1	Fork	181

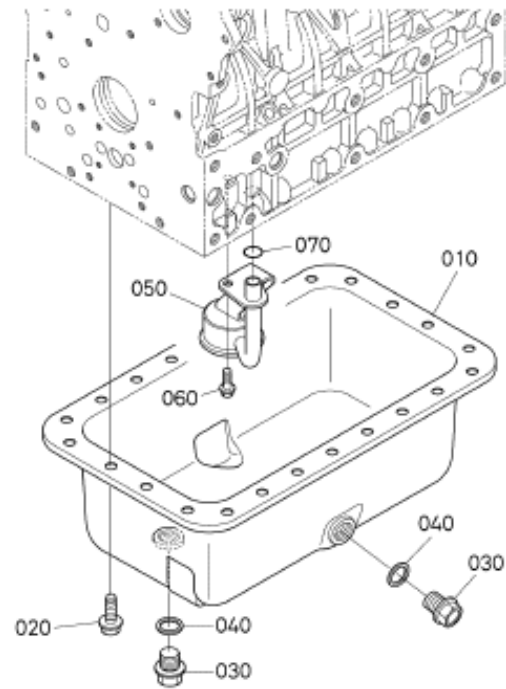


1J879-045-12

CRANKCASE

Kubota V2403-M-DI-E3B-CSL1T

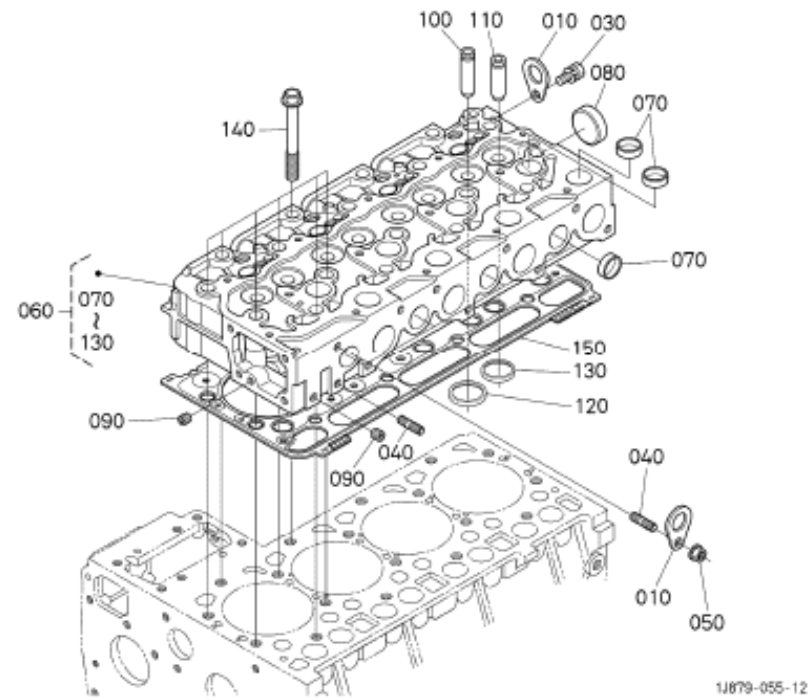
Item	Item no.	Description&Information	Pc.	Unit
010	1J891-01010	CRANKCASE,COMP	1	pc
020	15521-96020	PLUG	6	pc
030	15521-96030	PLUG	1	pc
040	17391-96160	PLUG,EXPANSION	3	pc
050	16271-96160	PLUG,EXPANSION	1	pc
060	1J864-03380	PLUG,CUP TYPE	6	pc
070	1J864-03390	PLUG,CUP TYPE	2	pc
080	05012-00408	PIN,STRAIGHT	2	pc
090	05012-00609	PIN,STRAIGHT	3	pc
100	05012-00612	PIN,STRAIGHT	2	pc
110	05012-01018	PIN,STRAIGHT	1	pc
120	1J864-33650	PIN,PIPE	1	pc
130	1J864-33610	PLUG	1	pc
140	15021-33660	PACKING	1	pc
150	1G171-73020	SHUTOFF-VALVE(DRAIN)	1	pc
160	1K722-73160	JOINT	1	pc



OIL PAN

Kubota V2403-M-DI-E3B-CSL1T

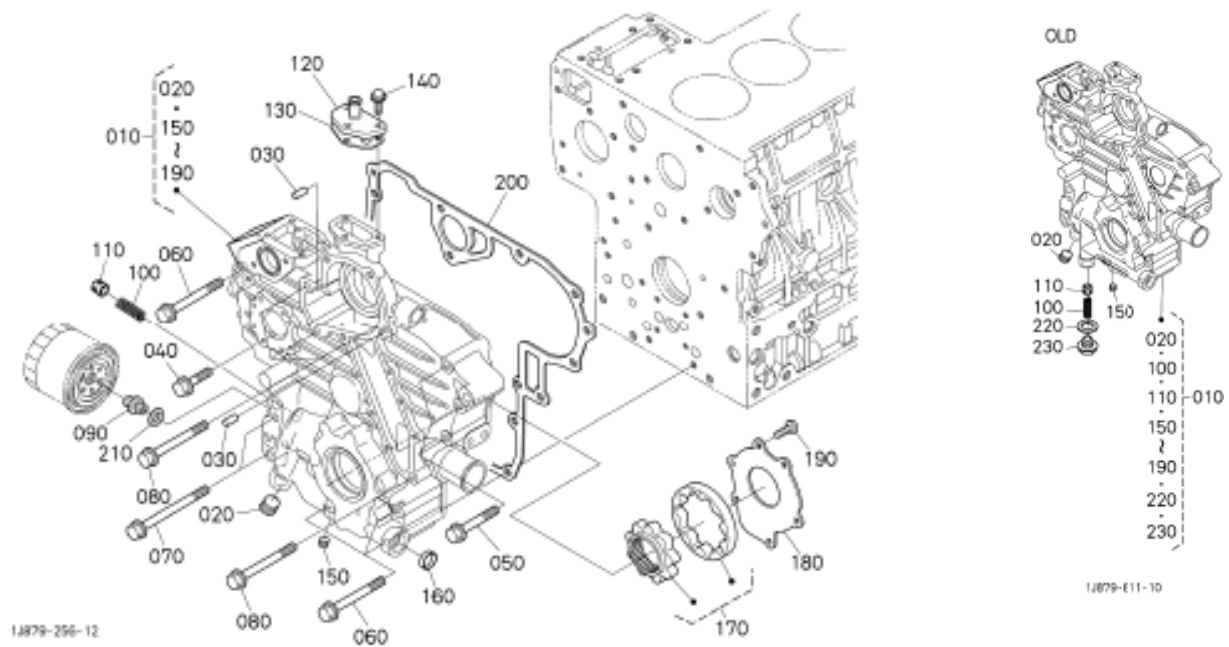
Item	Item no.	Description&Information	Pc.	Unit
010	1J890-01500	PAN,OIL,COMP	1	pc
020	1J873-91010	BOLT,FLANGE(M10X19)	24	pc
030	15707-33750	DRAIN PLUG	2	pc
040	1J890-96670	GASKET	2	pc
050	1J873-32110	FILTER,OIL	1	pc
060	01754-50812	BOLT,FLANGE	1	pc
070	04814-00160	O RING	1	pc



CYLINDER HEAD

Kubota V2403-M-DI-E3B-CSL1T

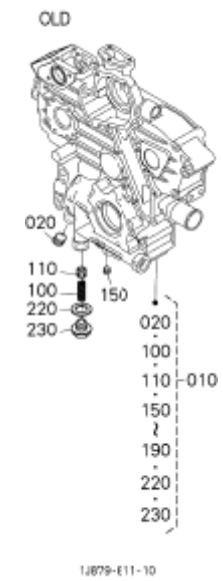
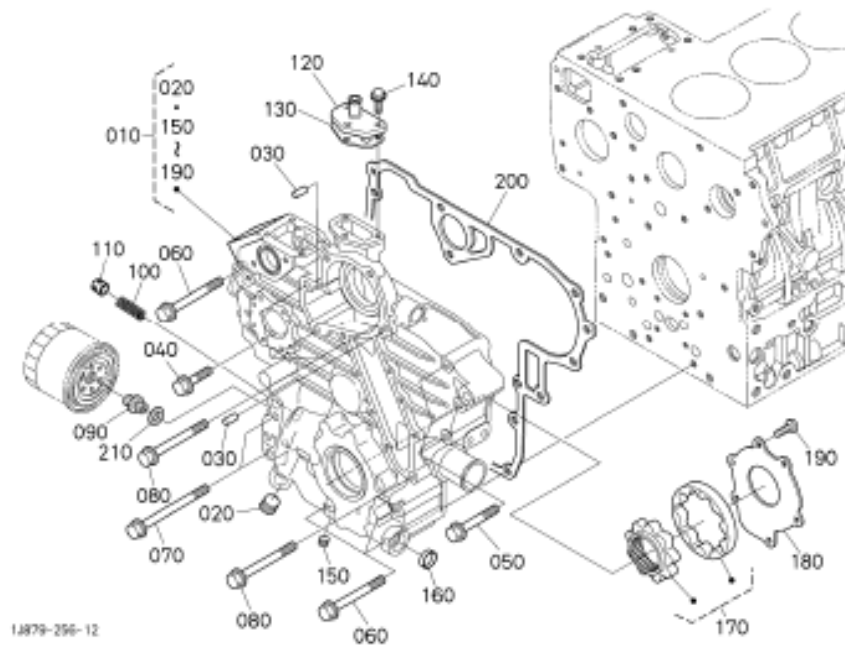
Item	Item no.	Description&Information	Pc.	Unit
010	1J864-01750	HOOK,ENGINE	2	pc
030	01123-50816	BOLT	1	pc
040	1J864-91532	STUD	2	pc
050	16429-92010	NUT	1	pc
060	1K722-03042	HEAD,CYLINDER,COMP	1	pc
070	1J864-03370	PLUG,CUP TYPE	12	pc
080	1J864-03490	PLUG,CUP TYPE	1	pc
090	15261-96010	PLUG	2	pc
100	1J829-13580	GUIDE,VALVE(INLET)	4	pc
110	1J829-13560	GUIDE,VALVE(EXHAUST)	4	pc
120	1J864-13620	SEAT,VALVE(INLET)	4	pc
130	1J864-13610	SEAT,VALVE(EXHAUST)	4	pc
140	1J864-03450	BOLT,CYLINDER HEAD	18	pc
150	1J877-03600	GASKET(HEAD,CYLINDER 115)	1	pc
150	1J877-03310	GASKET(HEAD,CYLINDER 120)	1	pc
150	1J877-03610	GASKET(HEAD,CYLINDER 125)	1	pc
150	1J877-03620	GASKET(HEAD,CYLINDER 130)	1	pc
150	1J877-03630	GASKET(HEAD,CYLINDER 135)	1	pc



GEAR CASE

Kubota V2403-M-DI-E3B-CSL1T

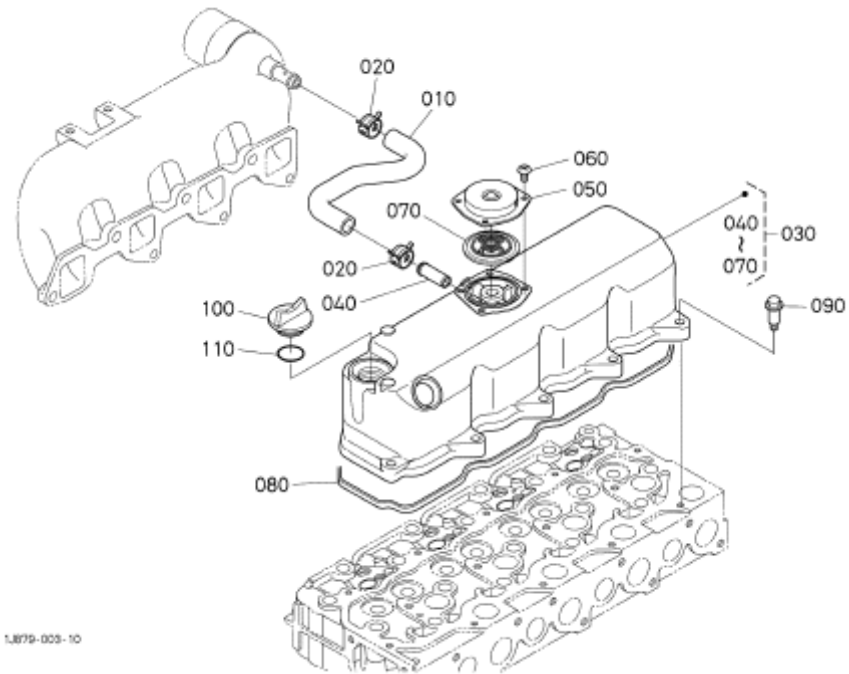
Item	Item no.	Description&Information	Pc.	Unit
010	1J890-04022	CASE,GEAR,SUB-ASSY	1	pc
010	1J890-04023	CASE,GEAR,SUB-ASSY	1	pc
020	16241-96020	PLUG	1	pc
030	05012-00612	PIN, STRAIGHT	2	pc
040	1J864-04300	BOLT,FLANGE(M8X30)	1	pc
050	1J864-91032	BOLT,FLANGE	3	pc
060	1J864-04750	BOLT,FLANGE(M8X75)	4	pc
070	1J873-91022	BOLT,FLANGE	2	pc
080	1J864-04850	BOLT,FLANGE(M8X85)	4	pc
090	1J864-32290	PIPE(JOINT)	1	pc
100	1J871-36950	SPRING	1	pc
100	1J876-36950	SPRING	1	pc
110	1J864-36930	SEAT,VALVE	1	pc
120	1J864-73320	FLANGE,WATER RETURN	1	pc
130	1J864-73330	GASKET,RETURN FLANGE	1	pc
140	01754-50620	BOLT,FLANGE	3	pc
150	15521-96020	PLUG	1	pc
160	1J873-96270	PLUG,CUP TYPE	1	pc
170	1J884-35070	ROTOR,ASSY(OIL PUMP)	1	pc
180	1J871-35130	COVER(OIL PUMP)	1	pc
190	01754-50616	BOLT,FLANGE	6	pc
190	03017-50614	SCREW,BINDING(PHILLIPS)	6	pc



GEAR CASE

Kubota V2403-M-DI-E3B-CSL1T

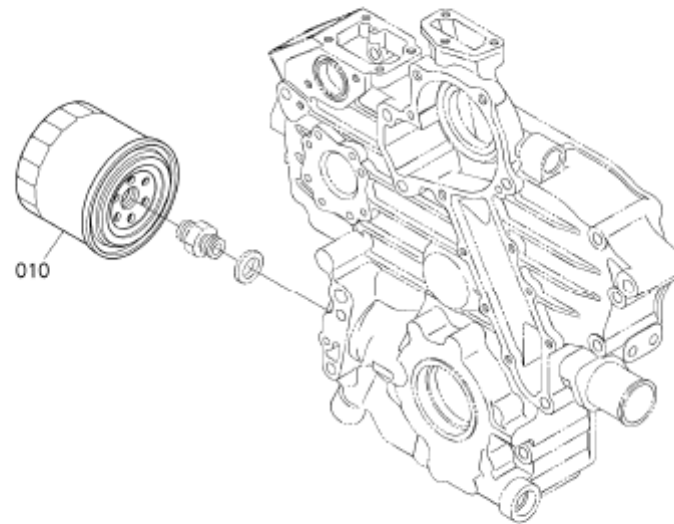
Item	Item no.	Description&Information	Pc.	Unit
200	1J871-04130	GASKET(GEAR CASE)	1	pc
210	1J873-32300	COLLAR,VALVE SEAT	1	pc
220	04724-00180	GASKET	1	pc
230	1J871-33752	PLUG	1	pc



HEAD COVER

Kubota V2403-M-DI-E3B-CSL1T

Item	Item no.	Description&Information	Pc.	Unit
010	1J890-05510	TUBE(BREATHER)	1	pc
020	09318-88155	CLAMP, HOSE	2	pc
030	1J890-14502	COVER,HEAD,ASSY	1	pc
040	1J864-73340	PIPE(WATER RETURN)	1	pc
050	1J864-05120	COVER,BREATHER	1	pc
060	03054-50510	SCREW,PAN HEAD(PHILLIPS)	4	pc
070	1J864-05200	VALVE,COMP(BREATHER)	1	pc
080	1G911-14523	GASKET,HEAD COVER	1	pc
090	1J872-91020	BOLT	10	pc
100	1J873-33140	PLUG,ENG. OIL FILL.	1	pc
110	04817-50300	O RING	1	pc

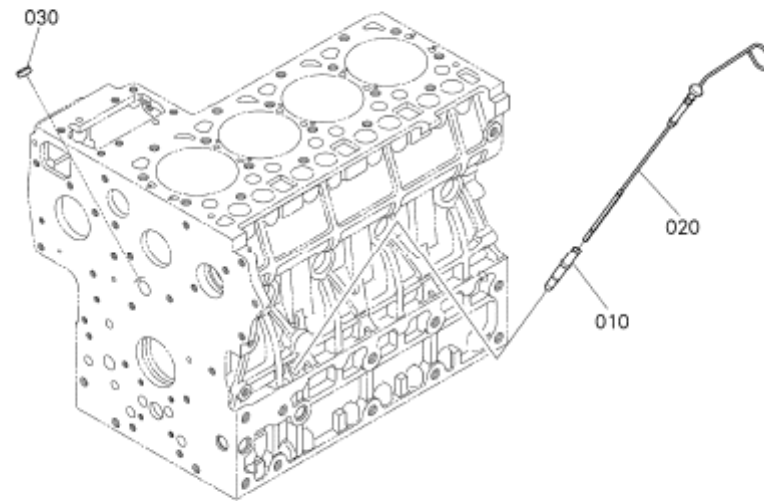


1J879-261-11

OIL FILTER

Kubota V2403-M-DI-E3B-CSL1T

Item	Item no.	Description&Information	Pc.	Unit
010	HH164-32430	ENGINE OIL FILTER	1	pc

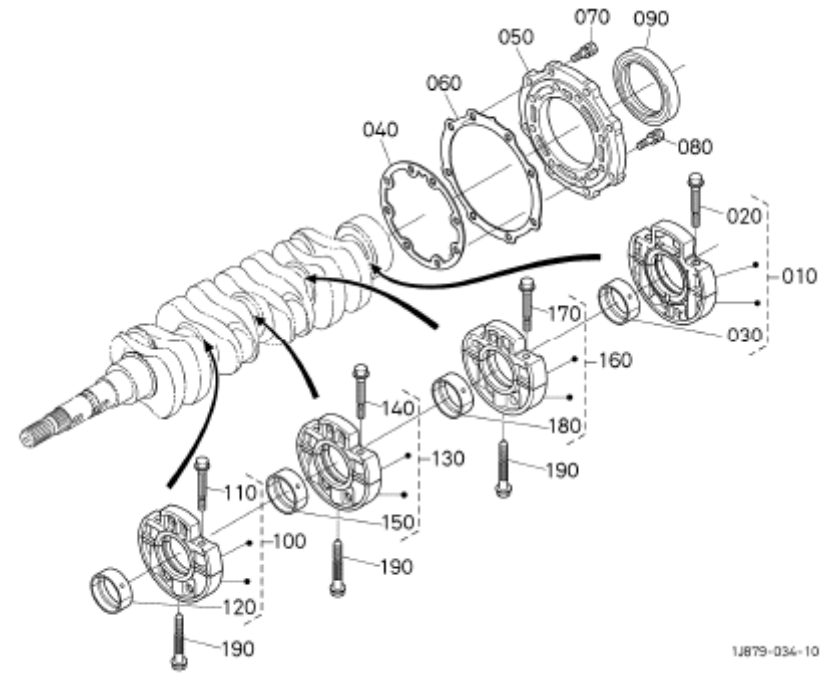


1J879-044-12

DIPSTICK AND GUIDE

Kubota V2403-M-DI-E3B-CSL1T

Item	Item no.	Description&Information	Pc.	Unit
010	1J864-36420	GUIDE,OIL GAUGE	1	pc
020	1J873-36412	GAUGE,ENG. OIL	1	pc
030	06311-85012	CAP,SEALING	1	pc

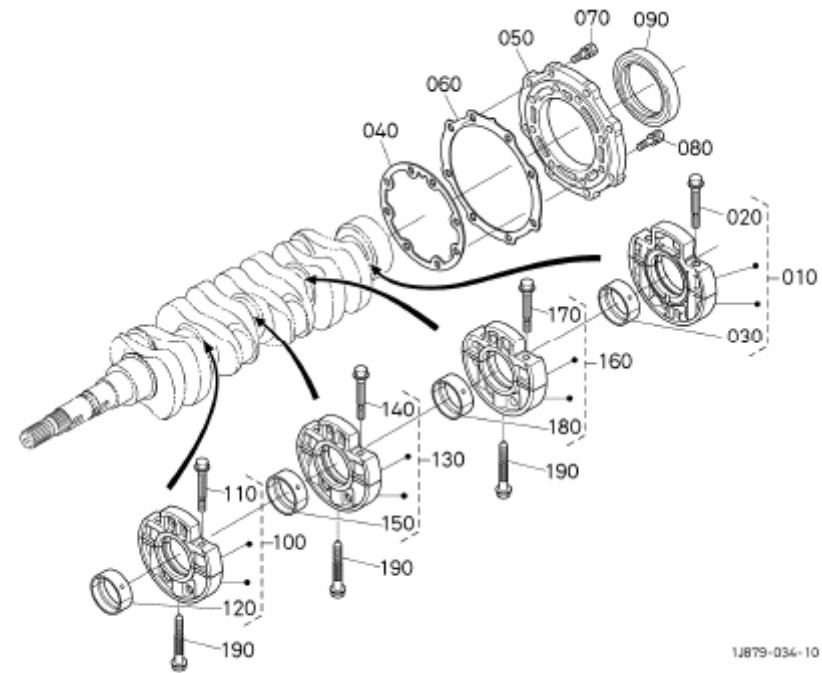


1J879-034-10

MAIN BEARING CASE

Kubota V2403-M-DI-E3B-CSL1T

Item	Item no.	Description&Information	Pc.	Unit
010	1A041-07095	ASSY BRG.CASE,WHEEL	1	pc
020	1A091-04540	BOLT	2	pc
030	1A091-23482	METAL,CRANKSHAFT	1	pc
030	1A091-23930	METAL,CRANKSHAFT	1	pc
030	1A091-23940	METAL,CRANKSHAFT	1	pc
040	1J884-04360	GASKET	1	pc
050	1J864-04810	COVER,BEARING CASE	1	pc
060	1J864-04820	GASKET(BRG.CASE COV.)	1	pc
070	01123-50825	BOLT	8	pc
080	01123-50828	BOLT	8	pc
090	1J884-04460	SEAL,OIL	1	pc
100	1J864-07040	CASE,BRG,FULL-ASSY(1,MAIN)	1	pc
110	1J864-04540	BOLT(CASE,BEARING,1)	2	pc
120	1J864-23400	METAL,KIT(CRANKSHAFT,2)	1	pc
120	1J864-23880	METAL,KIT(CRANKSHAFT,2,02)	1	pc
120	1J864-23890	METAL,KIT(CRANKSHAFT,2,04)	1	pc
130	1J864-07050	CASE,BRG,FULL-ASSY(2,MAIN)	1	pc
140	1J864-04540	BOLT(CASE,BEARING,1)	2	pc
150	1J864-23400	METAL,KIT(CRANKSHAFT,2)	1	pc
150	1J864-23880	METAL,KIT(CRANKSHAFT,2,02)	1	pc
150	1J864-23890	METAL,KIT(CRANKSHAFT,2,04)	1	pc
160	1J872-07060	CASE,BRG,FULL-ASSY(3,MAIN)	1	pc

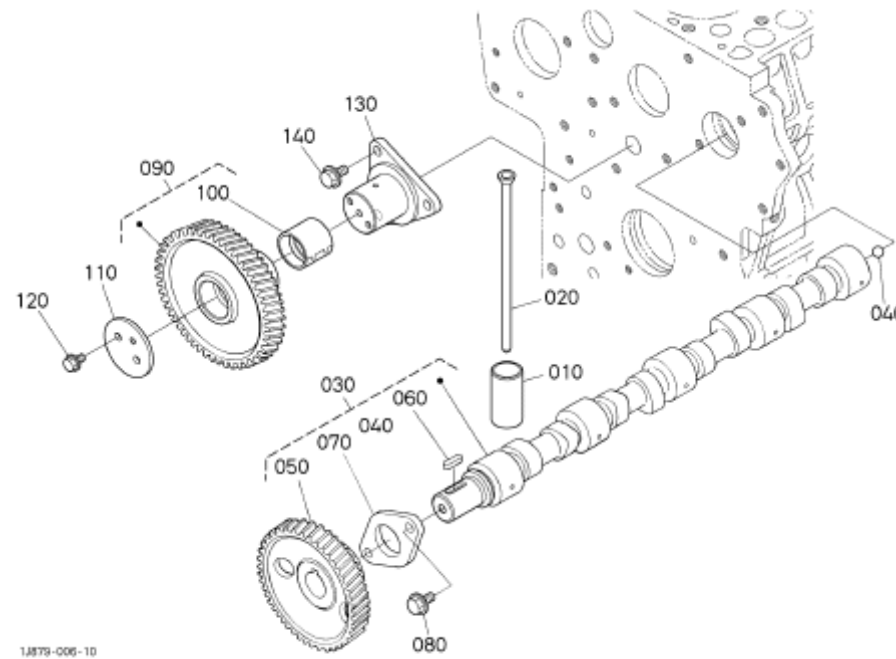


1J879-034-10

MAIN BEARING CASE

Kubota V2403-M-DI-E3B-CSL1T

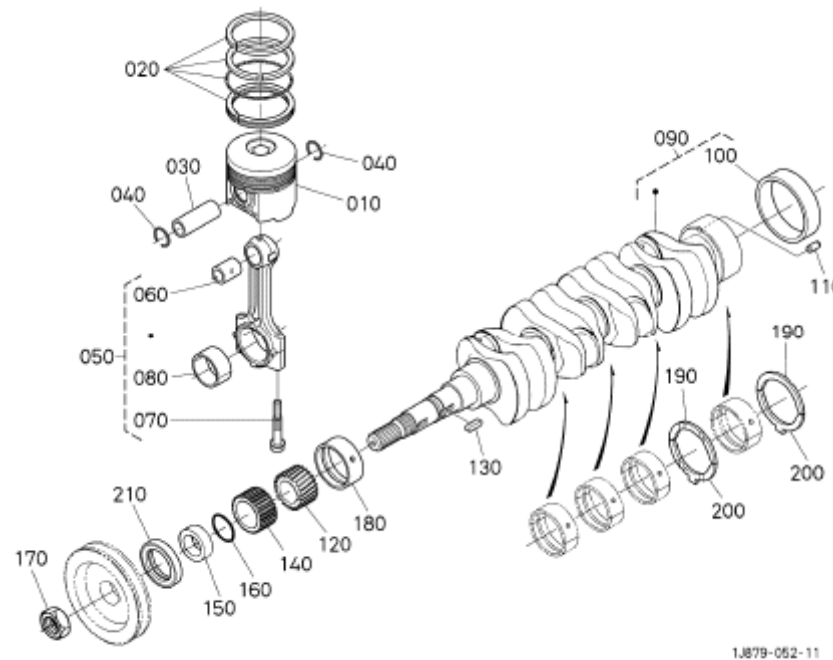
Item	Item no.	Description&Information	Pc.	Unit
170	1J864-04540	BOLT(CASE,BEARING,1)	2	pc
180	1J864-23400	METAL,KIT(CRANKSHAFT,2)	1	pc
180	1J864-23880	METAL,KIT(CRANKSHAFT,2,02)	1	pc
180	1J864-23890	METAL,KIT(CRANKSHAFT,2,04)	1	pc
190	1J864-04560	BOLT(CASE,BEARING,2)	3	pc



CAMSHAFT AND IDLE GEAR SHAFT

Kubota V2403-M-DI-E3B-CSL1T

Item	Item no.	Description&Information	Pc.	Unit
010	1J864-15550	TAPPET	8	pc
020	1J881-15110	ROD,PUSH	8	pc
030	1J890-16010	CAMSHAFT,ASSY	1	pc
040	07715-00401	BALL 1/4	1	pc
050	1J864-16510	GEAR(CAM)	1	pc
060	05712-00720	KEY, FEATHER	1	pc
070	1J864-16270	STOPPER(CAMSHAFT)	1	pc
080	01754-50816	BOLT,FLANGE	2	pc
090	1J864-24012	GEAR,COMP(IDLE)	1	pc
100	1J860-24982	BUSHING(IDLE GEAR)	1	pc
110	1J864-24370	COLLAR(IDLE GEAR)	1	pc
120	01754-50610	BOLT,FLANGE	2	pc
130	1J864-24250	SHAFT(IDLE GEAR)	1	pc
140	01754-50816	BOLT,FLANGE	3	pc

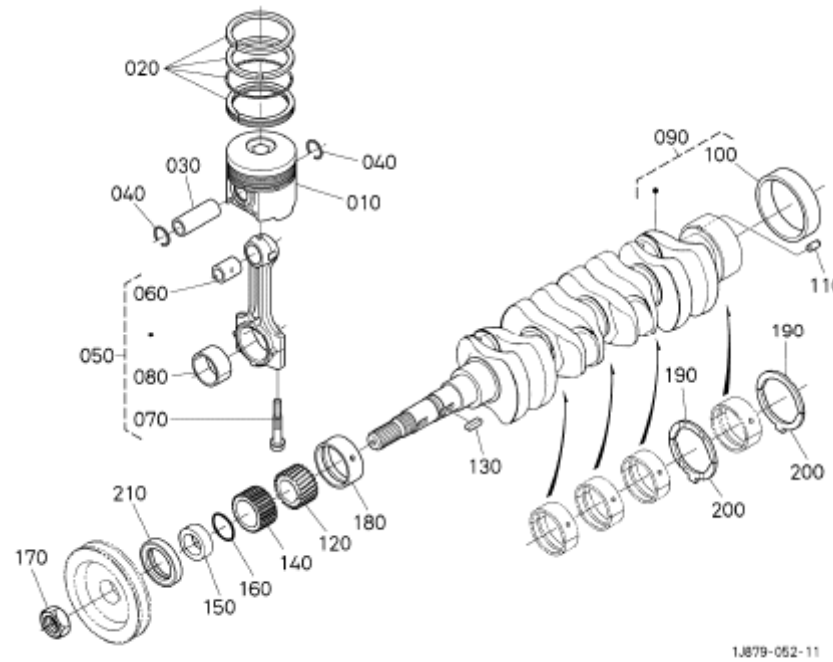


1J879-052-11

PISTON AND CRANKSHAFT

Kubota V2403-M-DI-E3B-CSL1T

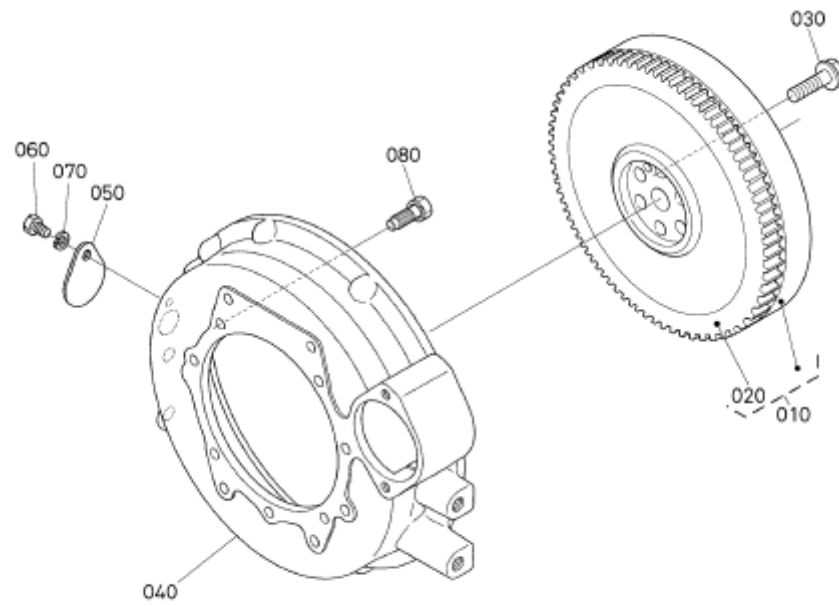
Item	Item no.	Description&Information	Pc.	Unit
010	1J890-21114	PISTON	4	pc
010	1J890-21904	PISTON(025)	4	pc
020	1J871-21053	RING,PISTON,ASSY	4	pc
020	1J871-21093	RING,PISTON,ASSY(025)	4	pc
030	1J864-21312	PISTON PIN	4	pc
040	1J864-21330	CLIP, PISTONPIN	4	pc
050	1J881-22012	ROD,CONNECTING,ASSY	8	pc
050	1J864-22012	ROD,CONNECTING,ASSY	4	pc
060	1G924-21980	BUSH,PISTON PIN	4	pc
070	1J864-22140	BOLT,CNCT ROD	8	pc
080	1J864-22900	METAL,KIT(CRANKPIN)	4	pc
080	1J864-22910	METAL,KIT(CRANKPIN,02)	4	pc
080	1J864-22920	METAL,KIT(CRANKPIN,04)	4	pc
090	1J884-23010	CRANKSHAFT,COMP	1	pc
100	1J887-23280	BUSHING(CRANKSHAFT)	1	pc
100	1J864-23283	BUSH,CRANKSHAFT	1	pc
110	1A021-23192	PIN,STRAIGHT	1	pc
120	1J871-24110	GEAR(CRANKSHAFT)	1	pc
130	05712-00720	KEY, FEATHER	1	pc
140	1J884-35630	GEAR(OIL PUMP DRIVE)	1	pc
150	1J864-23250	COLLAR(CRANKSHAFT)	1	pc
160	1J884-23270	O-RING	1	pc



MAIN BEARING CASE

Kubota V2403-M-DI-E3B-CSL1T

Item	Item no.	Description&Information	Pc.	Unit
170	15221-23360	NUT,CRANKSHAFT	1	pc
180	1A091-23472	METAL,CRANKSHAFT	1	pc
180	1A091-23910	METAL,CRANKSHAFT	1	pc
180	1A091-23920	METAL,CRANKSHAFT	1	pc
190	1J864-23530	METAL,SIDE	2	pc
190	1J864-23950	METAL,SIDE(1,02)	2	pc
190	1J864-23960	METAL,SIDE(1,04)	2	pc
200	1J864-23540	METAL,SIDE	2	pc
200	1J864-23970	METAL,SIDE(2,02)	2	pc
200	1J864-23980	METAL,SIDE(2,04)	2	pc
210	1J864-04140	SEAL,OIL	1	pc

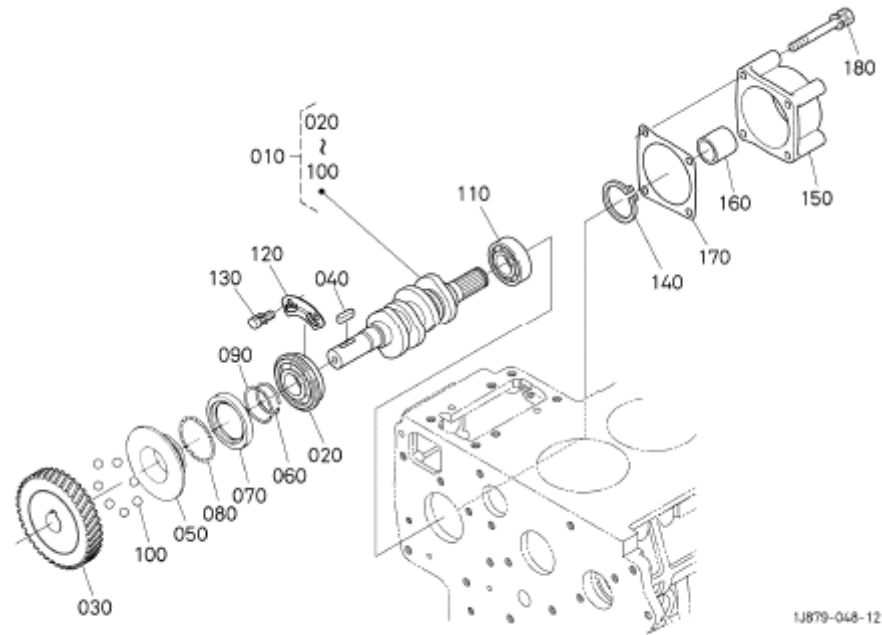


1A73-004-13

FLYWHEEL

Kubota V2403-M-DI-E3B-CSL1T

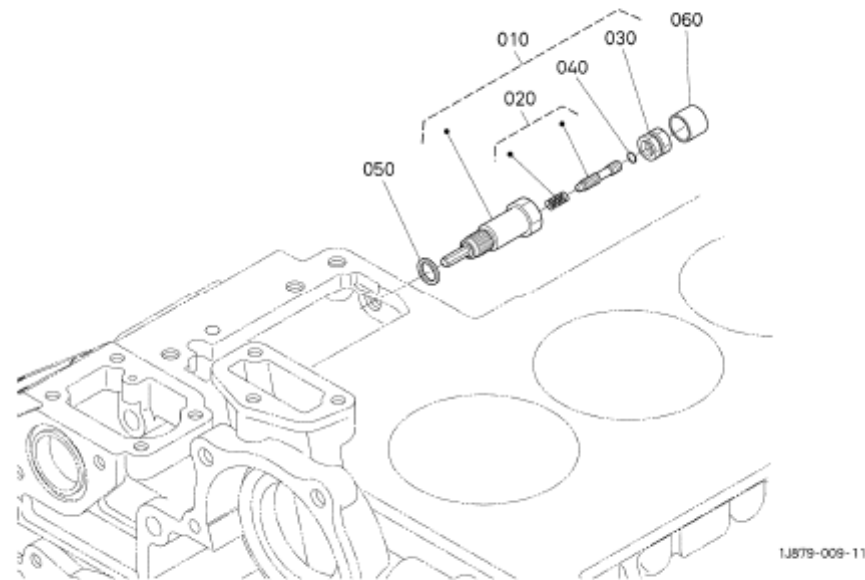
Item	Item no.	Description&Information	Pc.	Unit
010	1J884-25010	FLYWHEEL,COMP	1	pc
020	1G623-63820	GEAR(RING)	1	pc
030	1J864-25160	BOLT(FLYWHEEL)	6	pc
040	1G850-04614	HOUSING,FLYWHEEL	1	pc
050	1J884-04680	COVER	1	pc
060	01153-50812	BOLT	1	pc
070	04512-50080	WASHER,SPRING LOCK	1	pc
080	1J872-91010	BOLT	11	pc



FUEL CAMSHAFT AND GOVERNOR SHAFT

Kubota V2403-M-DI-E3B-CSL1T

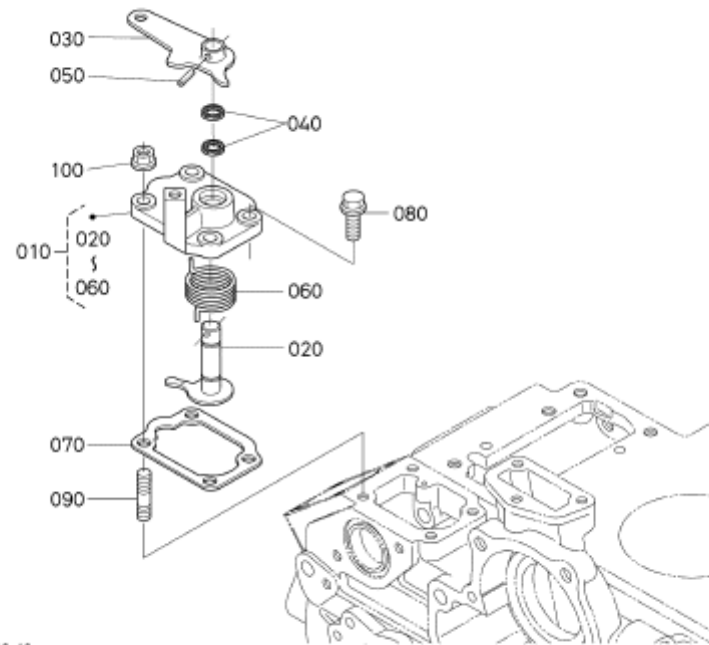
Item	Item no.	Description&Information	Pc.	Unit
010	1K722-16020	CAMSHAFT,ASSY(FUEL)	1	pc
020	1J881-51750	BRNG,BALL	1	pc
030	1J867-51150	GEAR(INJECTION PUMP)	1	pc
040	05712-00525	FEATHER KEY	1	pc
050	1J864-55450	SLEEVE,GOVERNOR	1	pc
060	1J864-55470	CIRCLIP(SLEEVE GOVERNOR)	1	pc
070	1J864-55690	CASE,GOVERNOR BALL	1	pc
080	07715-03205	BALL 5/32	39	pc
090	1J864-55740	CIRCLIP(GOV.B.CASE)	1	pc
100	07715-00403	BALL	7	pc
110	1J881-97300	BRNG,BALL	1	pc
120	1J881-16320	STOPPER,FUEL CAMSHA.	1	pc
130	01123-50814	BOLT	2	pc
140	04612-00250	CIR-CLIP,EXTERNAL	1	pc
150	1J884-16210	COVER(FUEL CAMSHAFT)	1	pc
160	1J890-16190	COLLAR	1	pc
170	1J884-16220	GASKET	1	pc
180	01123-50865	BOLT	4	pc



IDLE APPARATUS

Kubota V2403-M-DI-E3B-CSL1T

Item	Item no.	Description&Information	Pc.	Unit
010	1G796-54160	APPARATUS,IDLING	1	pc
020	1G796-54100	ASSY BOLT,ADJUSTMENT	1	pc
030	1G911-92010	NUT(SPRING)	1	pc
040	04814-00060	O RING	1	pc
050	04724-00140	GASKET	1	pc
060	1J864-54270	CAP	1	pc

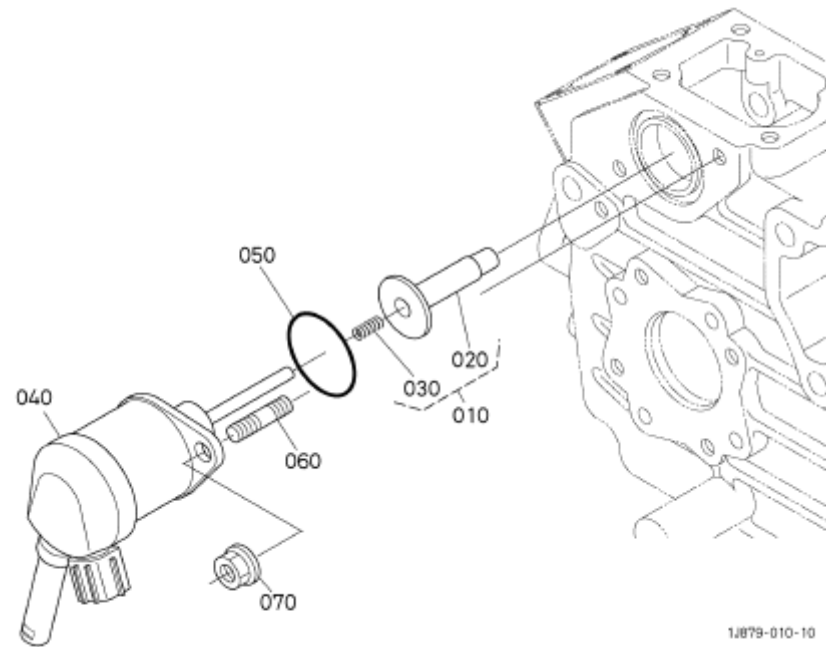


1,879-042-13

ENGINE STOP LEVER

Kubota V2403-M-DI-E3B-CSL1T

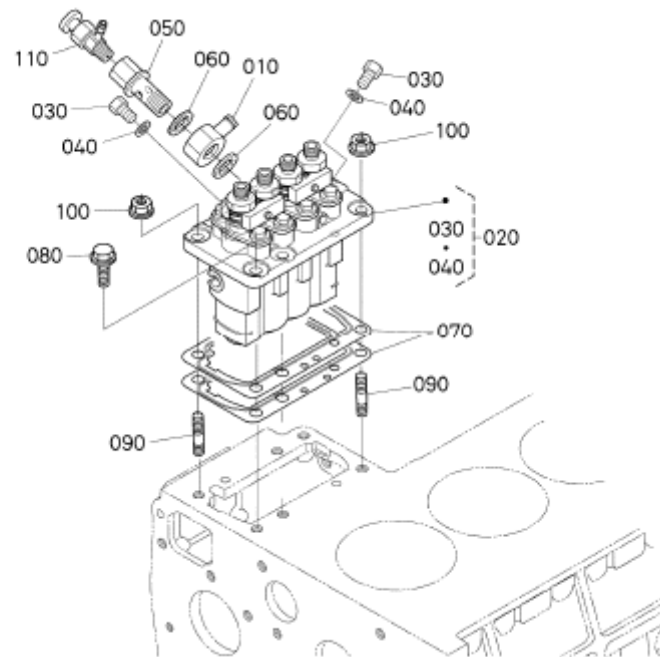
Item	Item no.	Description&Information	Pc.	Unit
010	1J864-57702	LEVER,ASSY(ENGINE STOP)	1	pc
020	1J864-57710	LEVER,COMP(ENGINE ST)	1	pc
030	1J864-57722	LEVER,ENGINE STOP	1	pc
040	1J864-96940	PACKING(X-RING)	2	pc
050	05411-00414	PIN,SPRING	1	pc
060	1J864-57920	SPRING(RETURN)	1	pc
070	1J864-57210	GASKET,PLATE	1	pc
080	01754-50620	BOLT,FLANGE	2	pc
090	1J864-91522	STUD	2	pc
100	02751-50060	NUT,FLANGE	2	pc



STOP SOLENOID

Kubota V2403-M-DI-E3B-CSL1T

Item	Item no.	Description&Information	Pc.	Unit
010	1J864-56600	COMP.GUIDE,SOLENOID	1	pc
020	1J864-56730	GUIDE,SOLENOID	1	pc
030	1J864-56630	SPRING,GUIDESOLENOID	1	pc
040	1A021-60017	ASSY SOLENOID	1	pc
050	04814-06310	O RING	1	pc
060	1J864-91522	STUD	2	pc
070	02751-50060	NUT,FLANGE	2	pc

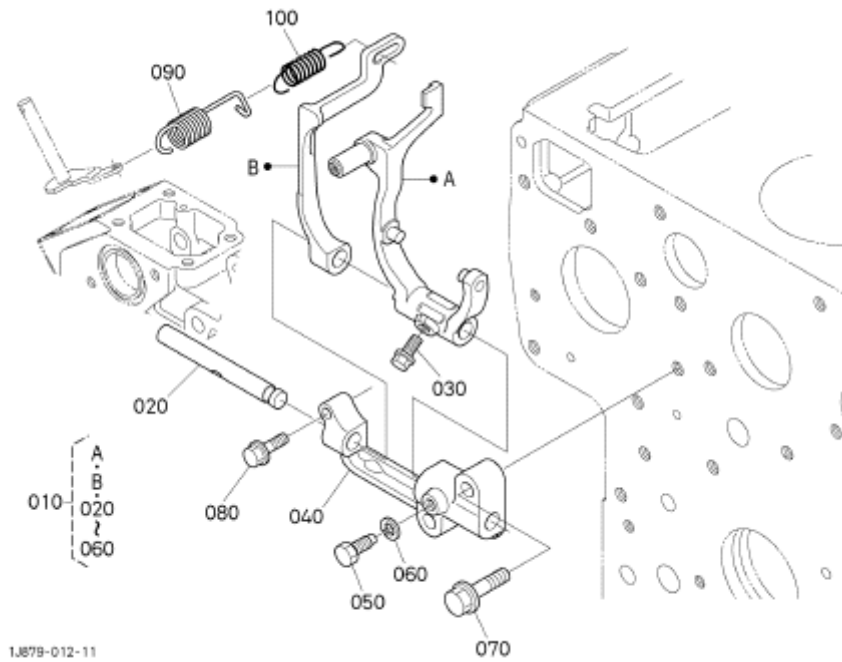


1.879-046-13

INJECTION PUMP

Kubota V2403-M-DI-E3B-CSL1T

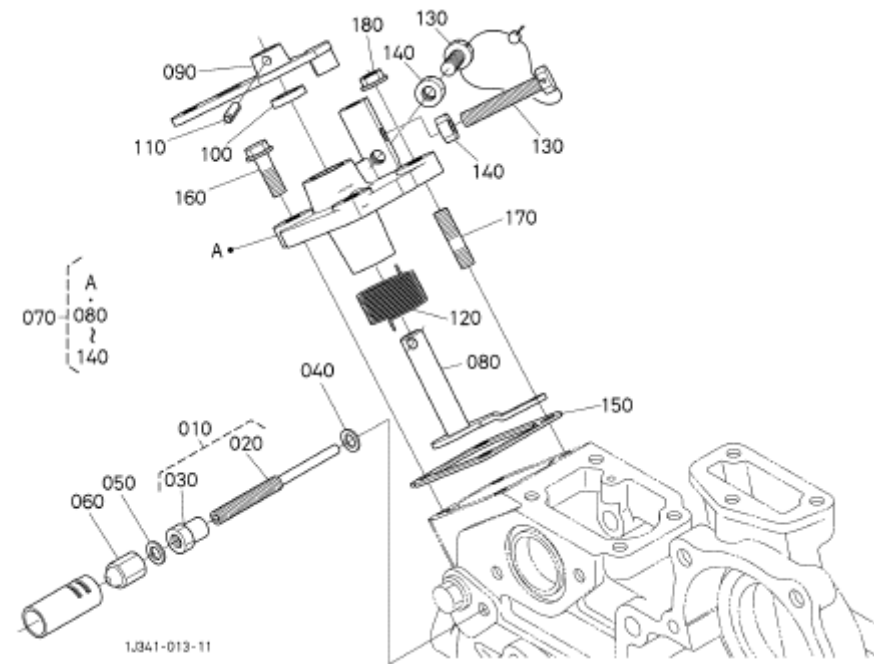
Item	Item no.	Description&Information	Pc.	Unit
010	1J864-42410	JOINT	1	pc
020	1J890-51010	PUMP,INJECTION,ASSY	1	pc
030	15331-51350	SCREW,AIR BREEDER	2	pc
040	15331-96660	PACKING	2	pc
050	1J864-51320	BOLT	1	pc
060	1J860-96650	GASKET	2	pc
070	1G896-52200	SHIM,INJECTION	1	pc
070	19077-52092	SHIM,INJECTION	1	pc
070	19077-52113	SHIM,INJECTION	1	pc
070	19077-52123	SHIM,INJECTION	1	pc
070	1G790-52162	SHIM	1	pc
080	01754-50820	BOLT,FLANGE	4	pc
090	1J864-91542	STUD	2	pc
100	02751-50080	NUT,FLANGE	2	pc
110	1J886-60500	SHUTOFF-VALVE,ASSY(JET START)	1	pc



ENGINE STOP LEVER

Kubota V2403-M-DI-E3B-CSL1T

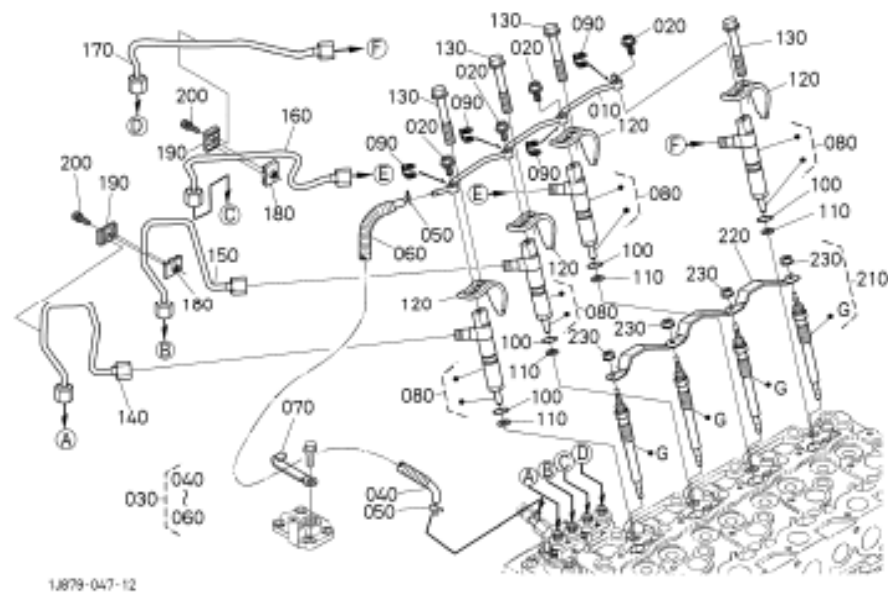
Item	Item no.	Description&Information	Pc.	Unit
010	1K722-56050	LEVER,ASSY(FORK)	1	pc
020	1G911-56150	SHAFT,FORK LEVER	1	pc
030	01754-50616	BOLT,FLANGE	1	pc
040	15221-56230	HOLDER,FORK LEVER	1	pc
050	15221-66410	BOLT,SET	1	pc
060	04512-50060	WASHER,SPRING LOCK	1	pc
070	01754-50830	BOLT,FLANGE	2	pc
080	01754-50625	BOLT,FLANGE	1	pc
090	1J873-56410	SPRING(GOVERNOR,1)	1	pc
100	1J864-56420	SPRING(GOVERNOR,2)	1	pc



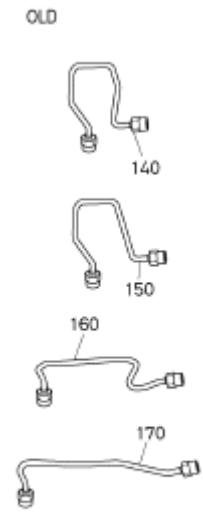
SPEED CONTROL PLATE

Kubota V2403-M-DI-E3B-CSL1T

Item	Item no.	Description&Information	Pc.	Unit
010	1J864-54350	BOLT	1	pc
020	1J864-54120	BOLT	1	pc
030	1J872-92010	NUT	1	pc
040	15601-96650	PACKING	1	pc
050	15601-96650	PACKING	1	pc
060	1J864-14620	NUT,CAP	1	pc
070	1J864-57003	ASSY PLATE,CONTROL	1	pc
080	1J864-56022	COMP.LEVER,GOVERNOR	1	pc
090	1J864-57152	LEVER,SPEED CONTROL	1	pc
100	1J864-57980	SEAL,OIL	1	pc
110	05411-00414	PIN,SPRING	1	pc
120	1J864-57920	SPRING(RETURN)	1	pc
130	1J864-57390	BOLT(IDLING ADJUST)	2	pc
140	02056-50060	NUT	2	pc
150	1J864-57210	GASKET,PLATE	1	pc
160	01754-50620	BOLT,FLANGE	2	pc
170	1J864-91522	STUD	2	pc
180	02751-50060	NUT,FLANGE	2	pc



1J879-047-12

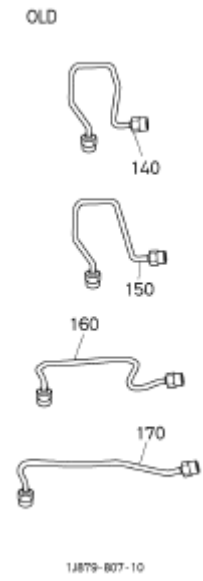
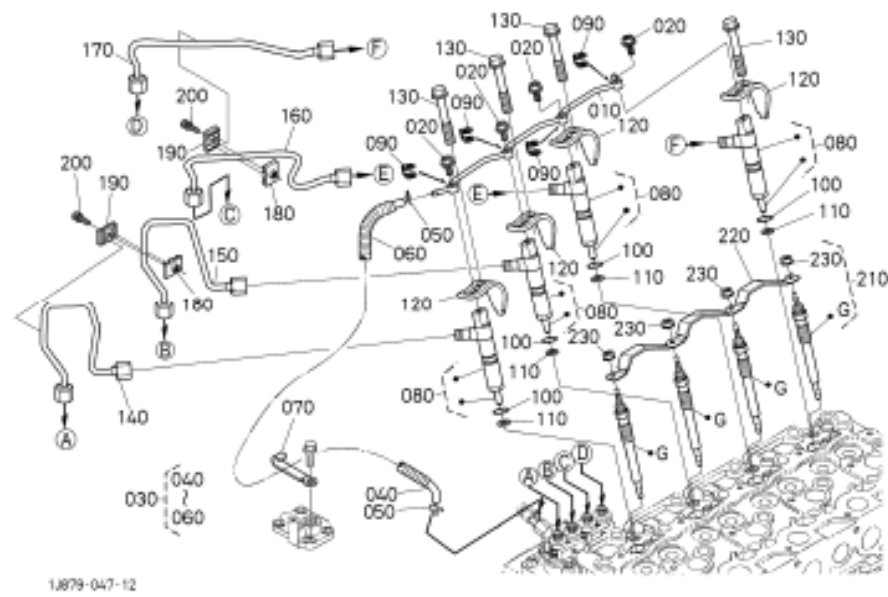


1J879-807-10

NOZZLE HOLDER AND GLOW PLUG

Kubota V2403-M-DI-E3B-CSL1T

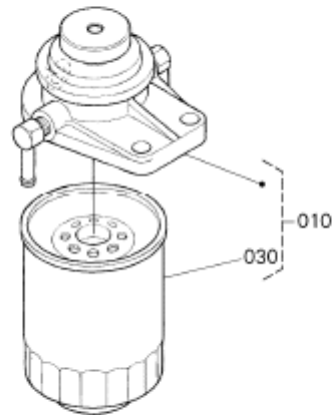
Item	Item no.	Description&Information	Pc.	Unit
010	1G911-42500	ASSY PIPE,OVER FLOW	1	pc
020	1J864-95810	BOLT	4	pc
030	1J864-42510	TUBE ASSY,FUEL	1	pc
040	09661-40300	TUBE,FUEL	1	pc
050	1J864-42710	CLIP(PIPE)	2	pc
060	1J864-99250	TUBE(PIPE)	1	pc
070	15272-67580	CLANP,CORD	1	pc
080	1J864-53000	ASSY HOLDER,NOZZLE	4	pc
090	1J864-96730	GASKET	4	pc
100	04814-00150	O RING	4	pc
110	1J864-53620	PACKING	4	pc
120	1J864-53450	CLAMP,NOZZLE	4	pc
130	1J864-53440	BOLT,FLANGE	4	pc
140	1G790-53710	PIPE,INJECTION	1	pc
140	1J864-53710	PIPE(INJECTION,1)	1	pc
150	1G790-53720	PIPE,INJECTION	1	pc
150	1J864-53720	PIPE(INJECTION,2)	1	pc
160	1G790-53730	PIPE,INJECTION	1	pc
160	1J864-53730	PIPE(INJECTION,3)	1	pc
170	1G790-53740	PIPE,INJECTION	1	pc
170	1J872-53740	PIPE(INJECTION,4)	1	pc
180	1J864-53850	CLAMP,PIPE	2	pc



NOZZLE HOLDER AND GLOW PLUG

Kubota V2403-M-DI-E3B-CSL1T

Item	Item no.	Description&Information	Pc.	Unit
190	1J864-53860	CLAMP,PIPE	2	pc
200	03024-50520	SCREW,SEMS(PAN HEAD)	2	pc
210	1G852-65512	GLOW PLUG	4	pc
220	1J873-65560	CORD(GLOW PLUG)	1	pc
230	02761-50040	NUT,FLANGE	4	pc

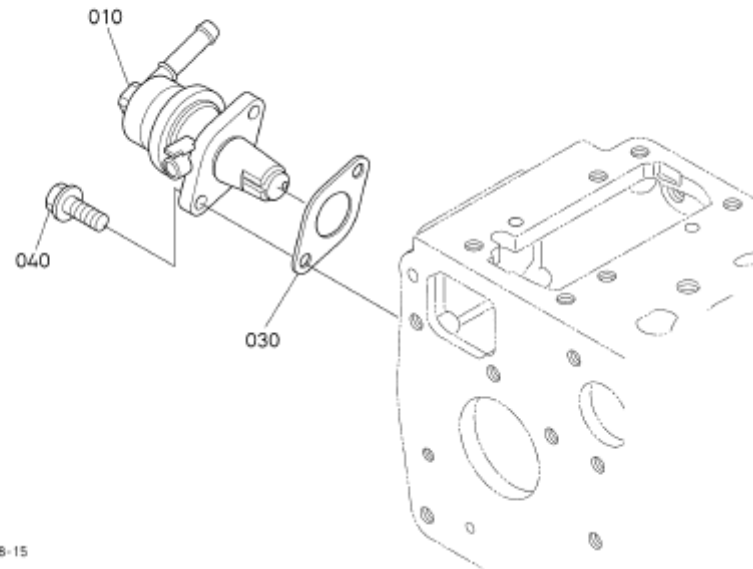


1G990-014-12

FUEL FILTER

Kubota V2403-M-DI-E3B-CSL1T

Item	Item no.	Description&Information	Pc.	Unit
010	1C011-43013	FILTER,ASSY(FUEL)	1	pc
030	HH166-43560	FILTER(FUEL CARTRIDGE)	1	pc

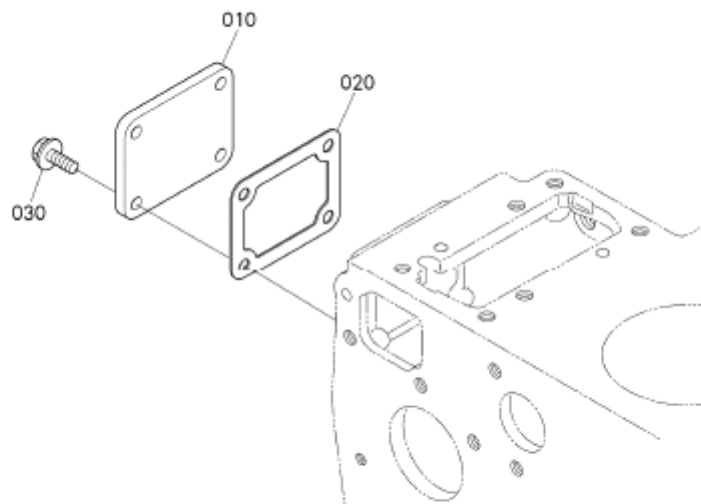


1G923-028-15

FUEL PUMP (MECHANICAL)

Kubota V2403-M-DI-E3B-CSL1T

Item	Item no.	Description&Information	Pc.	Unit
010	17121-52033	ASSY PUMP,FUEL	1	pc
030	1J864-52140	GASKET(FUEL PUMP)	1	pc
040	01754-50616	BOLT,FLANGE	2	pc

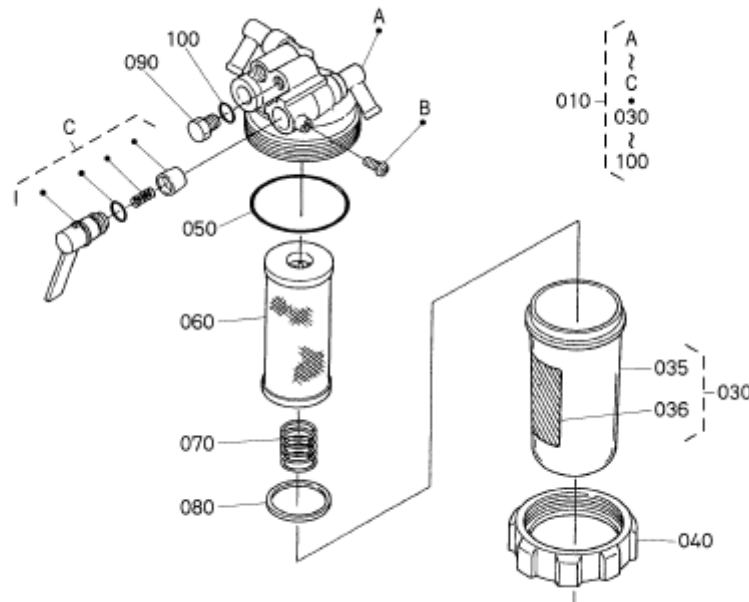


1G387-205-11

FUEL PUMP COVER

Kubota V2403-M-DI-E3B-CSL1T

Item	Item no.	Description&Information	Pc.	Unit
010	1J879-51650	COVER(INJ.PUMP)	1	pc
020	1J864-51660	GASKET, PUMP COVER	1	pc
030	01754-50612	BOLT,FLANGE	4	pc

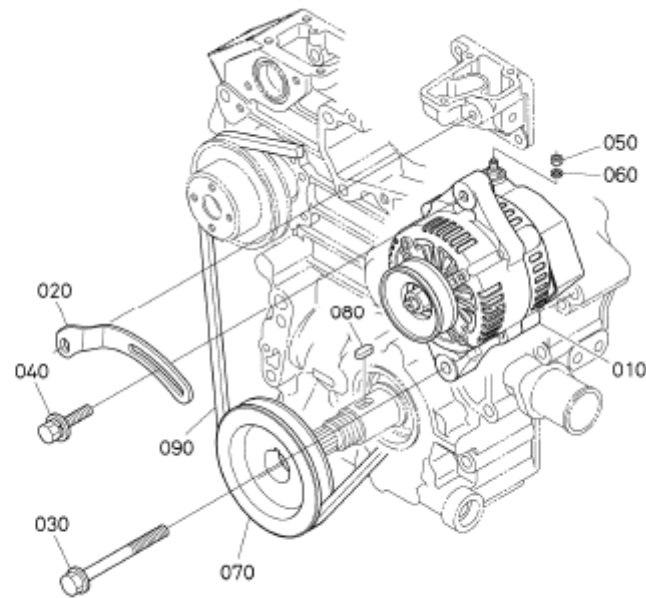


15849-026-13

SEPARATOR (COMPONENT PARTS)

Kubota V2403-M-DI-E3B-CSL1T

Item	Item no.	Description&Information	Pc.	Unit
010	15831-43354	SEPARATOR,WATER	1	pc
030	1G311-43100	ASSY CUP,FILTER	1	pc
035	1G311-43580	CUP,FILTER	1	pc
036	15831-87462	LABEL	1	pc
040	16271-43590	RING,RETAINING	1	pc
050	16271-43572	O RING,FILTER CUP	1	pc
060	1G311-43380	ELEMENT	1	pc
070	1G311-43930	SPRING	1	pc
080	1G311-43250	FLOAT	1	pc
090	15231-43283	SCREW,AIR BLEEDER	1	pc
100	04817-00060	O RING	1	pc

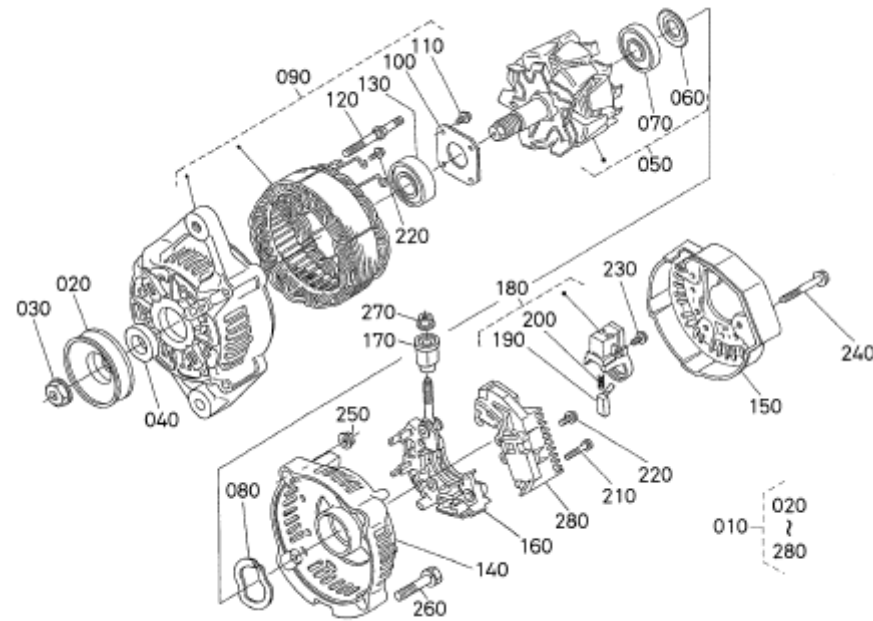


1J879-053-14

ALTERNATOR AND PULLEY

Kubota V2403-M-DI-E3B-CSL1T

Item	Item no.	Description&Information	Pc.	Unit
010	16404-64014	ASSY DYNAMO	1	pc
010	1G740-64010	ALTERNATOR,ASSY	1	pc
020	1J864-64420	STAY(DYNAMO)	1	pc
030	01774-51070	BOLT,FLANGE	1	pc
040	01127-50830	BOLT	1	pc
050	02056-50060	NUT	1	pc
060	04512-50060	WASHER,SPRING LOCK	1	pc
070	1J876-74280	PULLEY,FAN DRV	1	pc
080	05712-00512	KEY,FEATHER	1	pc
090	17112-97012	V BELT	1	pc

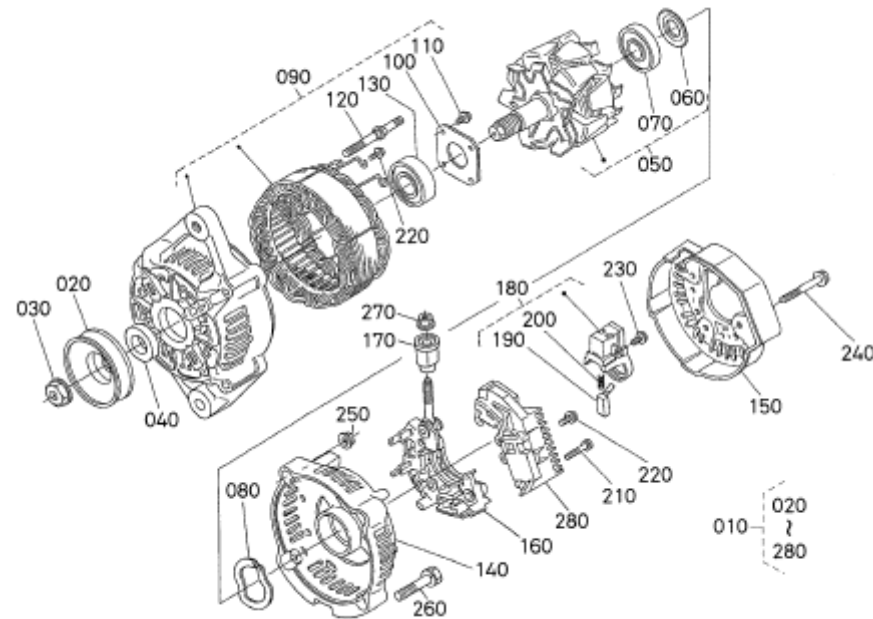


16201-014-21

ALTERNATOR (COMPONENT PARTS)

Kubota V2403-M-DI-E3B-CSL1T

Item	Item no.	Description&Information	Pc.	Unit
010	16404-64014	ASSY DYNAMO	1	pc
010	1G740-64010	ALTERNATOR,ASSY	1	pc
020	16427-64110	PULLEY, ALTERNATOR	1	pc
020	1J829-64110	PULLEY	1	pc
030	15881-92010	NUT	1	pc
030	1G386-92010	NUT	1	pc
040	15881-64150	COLLAR	1	pc
040	1G386-64150	COLLAR	1	pc
050	66436-64040	ROTOR	1	pc
050	6C782-64040	ROTOR	1	pc
060	15881-64800	COVER, BEARING	1	pc
060	1G386-64800	COVER(BEARING)	1	pc
070	16652-64770	BEARING BALL	1	pc
070	1G355-64770	BEARING,BALL	1	pc
080	15881-64810	WASHER,THRUST	1	pc
080	1G386-64810	WASHER	1	pc
090	T1060-15622	FRAME ASSY	1	pc
090	T1062-15620	FRAME ASSY	1	pc
100	15881-64710	PLATE, RETAINER	1	pc
100	1G386-64710	PLATE(RETAINER)	1	pc

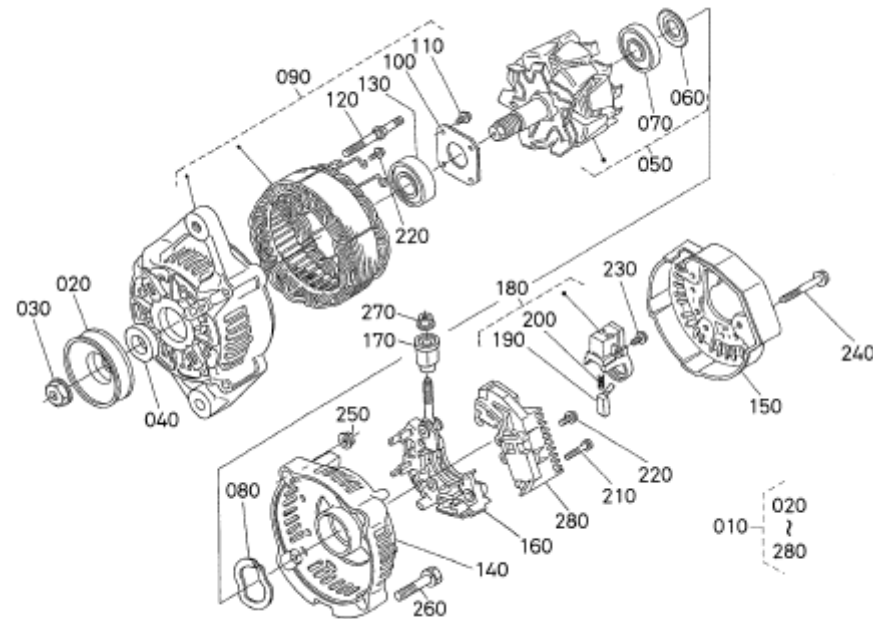


16201-014-21

ALTERNATOR (COMPONENT PARTS)

Kubota V2403-M-DI-E3B-CSL1T

Item	Item no.	Description&Information	Pc.	Unit
110	15881-93010	SCREW, ROUND HEAD	4	pc
110	1G386-93010	SCREW,RD HD	4	pc
120	15881-64260	BOLT	2	pc
120	1G386-64260	BOLT(THROUGH)	2	pc
130	16652-64782	BEARING BALL	1	pc
130	1G355-64780	BEARING BALL	1	pc
140	15881-64060	FRAME,END	1	pc
140	1G386-64060	FRAME,END	1	pc
150	16678-64230	COVER,END	1	pc
150	1E994-64230	COVER,END	1	pc
160	15881-64850	ASSY RECTIFIER	1	pc
160	1G386-64850	RECTIFIER,ASSY	1	pc
170	15881-64900	BUSH,INSULATION	1	pc
170	1G386-64900	BUSHING	1	pc
180	16652-64310	HOLDER BRUSH	1	pc
180	1G355-64310	BRUSH	1	pc
190	15881-64090	BRUSH	2	pc
190	1G386-64090	BRUSH	2	pc
200	15881-64330	SPRING, BRUSH	2	pc
200	1G386-64330	SPRING(BRUSH)	2	pc

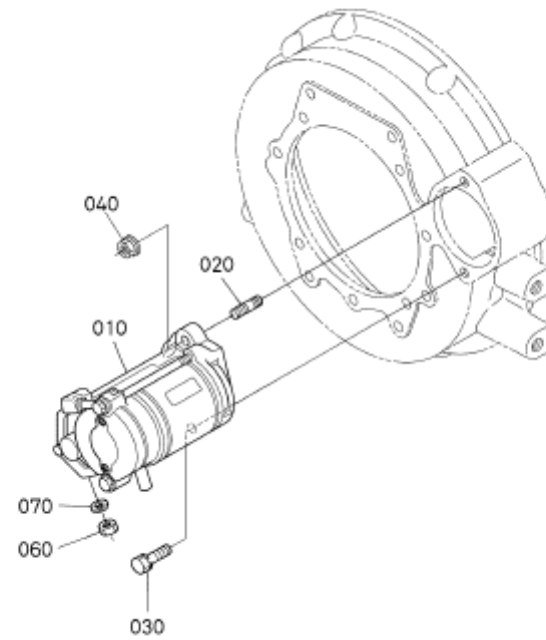


16201-014-21

ALTERNATOR (COMPONENT PARTS)

Kubota V2403-M-DI-E3B-CSL1T

Item	Item no.	Description&Information	Pc.	Unit
210	15881-93020	SCREW, ROUND HEAD	2	pc
210	1G386-93020	SCREW,RD HD	2	pc
220	15881-93030	SCREW, ROUND HEAD	6	pc
220	1G386-93030	SCREW,RD HD	6	pc
230	15881-93040	SCREW, ROUND HEAD	1	pc
230	1G386-93040	SCREW,RD HD	1	pc
240	15881-91040	BOLT	3	pc
240	1G386-91040	BOLT	3	pc
250	15881-92020	NUT	2	pc
250	1G386-92020	NUT	2	pc
260	15881-91050	BOLT	2	pc
260	1G386-91050	BOLT	2	pc
270	14182-92030	NUT	1	pc
270	1E994-92030	NUT	1	pc
280	16652-64602	ASSY REGULATOR	1	pc
280	1G355-64600	REGULATOR,ASSY	1	pc

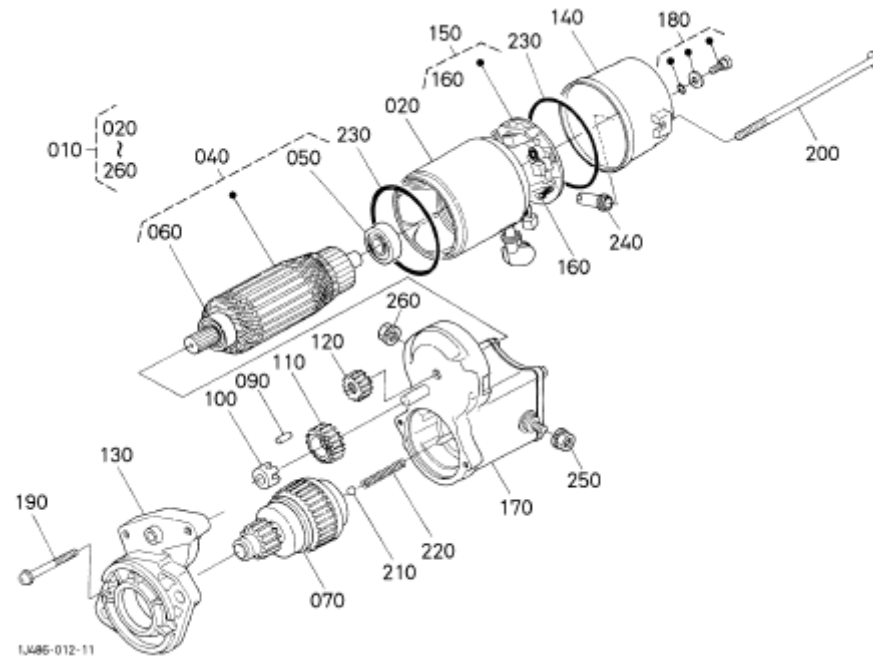


1K677-015-10

NOZZLE HOLDER AND GLOW PLUG

Kubota V2403-M-DI-E3B-CSL1T

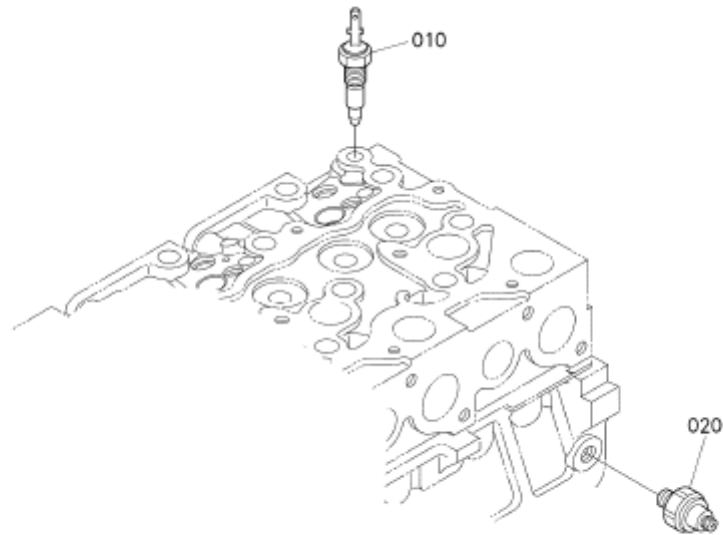
Item	Item no.	Description&Information	Pc.	Unit
010	17123-63017	ASSY STARTER	1	pc
020	01517-51030	STUD	1	pc
030	01133-51030	BOLT	1	pc
040	02771-50100	NUT,FLANGE	1	pc
060	02114-50080	NUT	1	pc
070	04512-50080	WASHER,SPRING LOCK	1	pc



STARTER (COMPONENT PARTS)

Kubota V2403-M-DI-E3B-CSL1T

Item	Item no.	Description&Information	Pc.	Unit
010	17123-63017	ASSY STARTER	1	pc
020	17123-63080	YOKE	1	pc
040	17123-63070	ARMATURE	1	pc
050	17123-63500	BEARING	1	pc
060	11460-63500	BEARING	1	pc
070	17123-63040	CLUTCH(OVER RUNNING)	1	pc
090	19212-63100	ROLLER	5	pc
100	11460-63110	RETAINER	1	pc
110	11460-63270	GEAR	1	pc
120	17123-63260	GEAR	1	pc
130	17123-63030	FRAME,DRIVE END	1	pc
140	17123-63200	FRAME,END	1	pc
150	17123-63380	HOLDER,BRUSH	1	pc
160	17123-63140	SPRING	4	pc
170	1J979-63020	SWITCH,ASSY(MAGNETIC)	1	pc
180	17123-93310	SCREW	2	pc
190	17123-93320	SCREW	2	pc
200	17123-63320	BOLT	2	pc
210	19212-97130	BALL	1	pc
220	11460-63120	SPRING	1	pc
230	15511-96660	O RING	2	pc
240	16285-63570	PIPE,DRAIN	1	pc
250	13963-92010	NUT	1	pc
260	16285-92010	NUT	1	pc

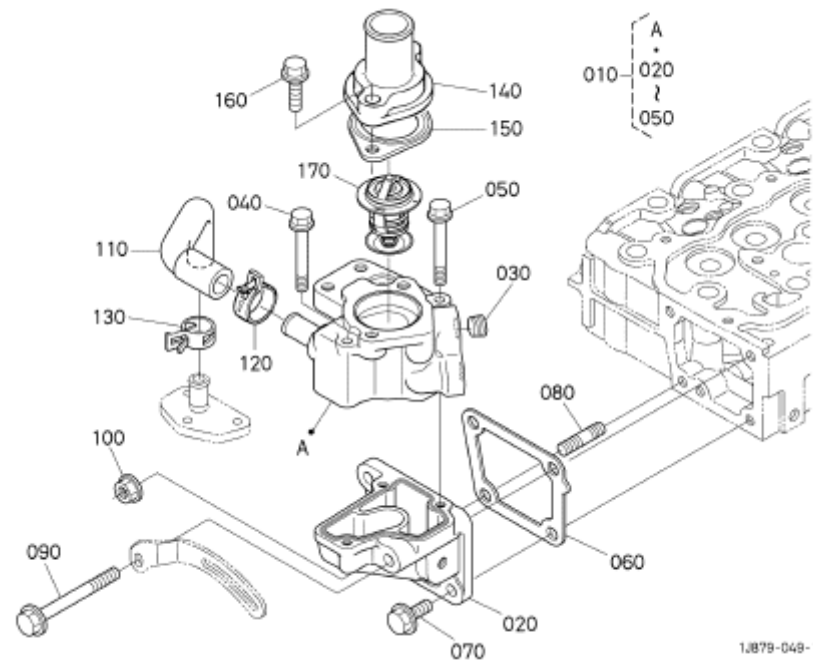


1G485-077-11

OIL SWITCH AND THERMOMETER

Kubota V2403-M-DI-E3B-CSL1T

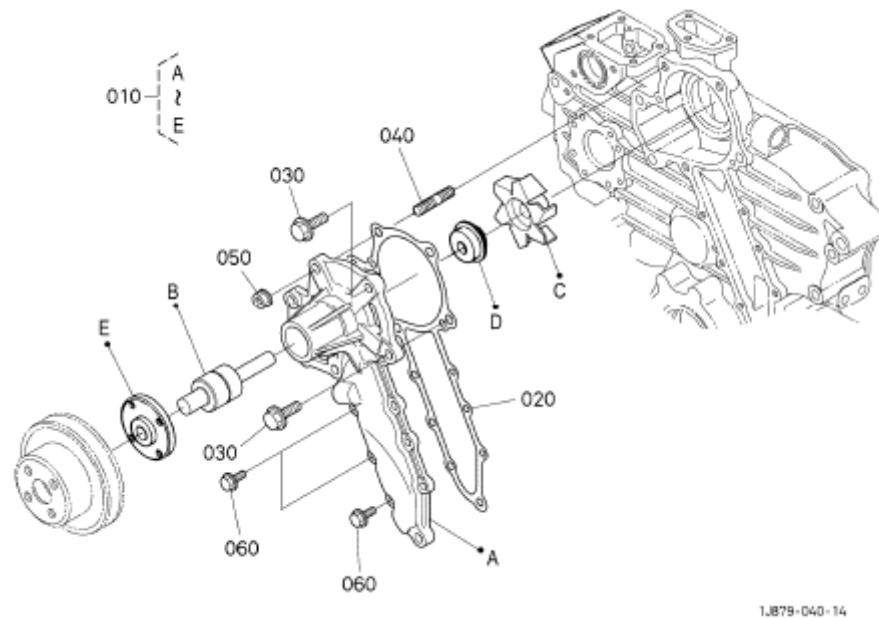
Item	Item no.	Description&Information	Pc.	Unit
010	19498-83044	ASSY THERMOSWITCH	1	pc
020	15841-39013	SWITCH,OIL	1	pc



WATER FLANGE AND THERMOSTAT

Kubota V2403-M-DI-E3B-CSL1T

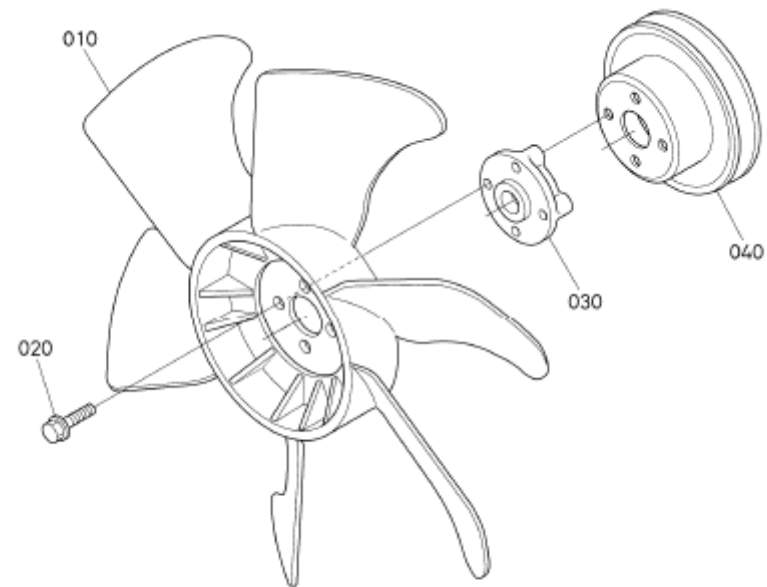
Item	Item no.	Description&Information	Pc.	Unit
010	1K724-72700	FLANGE,WATER,COMP	1	pc
020	1J873-72810	FLANGE(WATER)	1	pc
030	1A021-96020	PLUG	1	pc
040	01754-50660	BOLT,FLANGE	2	pc
050	01754-50665	BOLT,FLANGE	1	pc
060	1J864-72920	GASKET,WATER FLANGE	1	pc
070	01754-50820	BOLT,FLANGE	2	pc
080	1J864-91532	STUD	1	pc
090	01754-50875	BOLT,FLANGE	1	pc
100	02751-50080	NUT,FLANGE	1	pc
110	1J873-73342	HOSE(WATER RETURN,2)	1	pc
120	1J873-11720	CLAMP,HOSE	1	pc
130	1J864-73360	CLAMP,HOSE	1	pc
140	1J873-73260	COVER,THERM.	1	pc
150	1J884-73270	GASKET	1	pc
160	01754-50835	BOLT,FLANGE	2	pc
170	1J890-73010	THERMOSTAT,ASSY	1	pc



WATER PUMP

Kubota V2403-M-DI-E3B-CSL1T

Item	Item no.	Description&Information	Pc.	Unit
010	1J873-73033	PUMP,ASSY(WATER)	1	pc
020	1J873-73430	GASKET(WATER PUMP)	1	pc
030	01754-50825	BOLT,FLANGE	2	pc
040	01518-50822	STUD	1	pc
050	02751-50080	NUT,FLANGE	1	pc
060	01754-50616	BOLT,FLANGE	6	pc

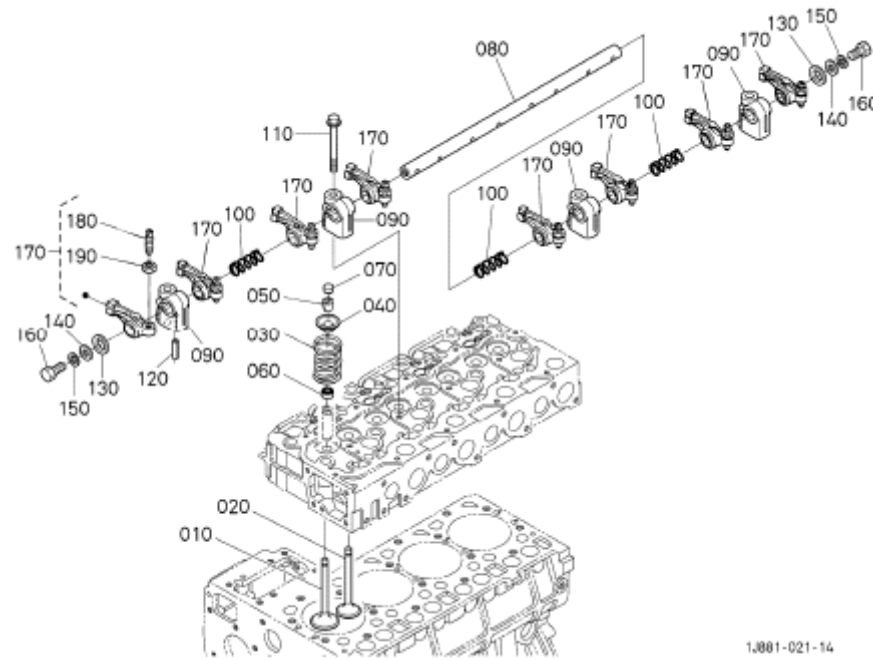


1.8879-066-10

FAN AND PULLEY

Kubota V2403-M-DI-E3B-CSL1T

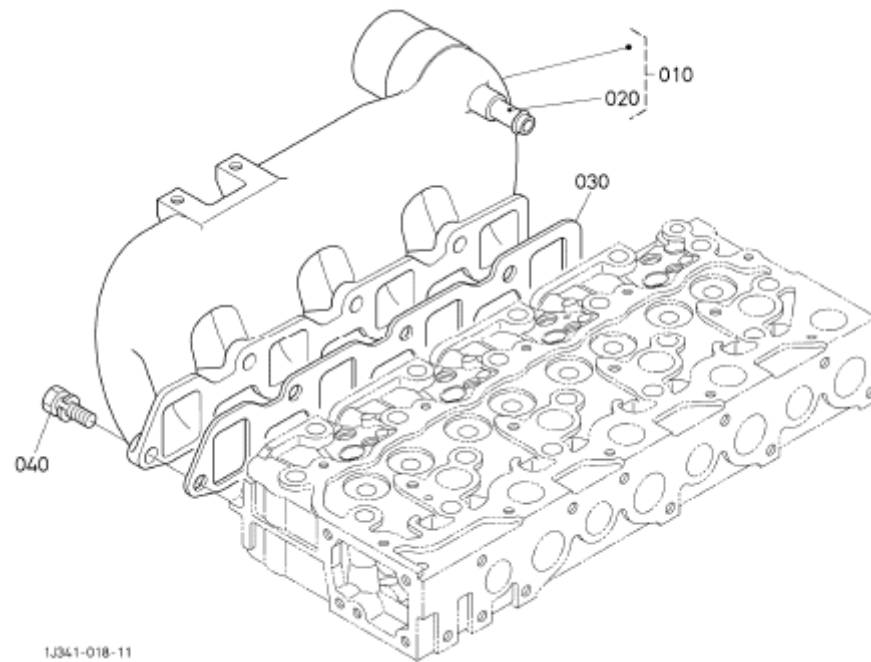
Item	Item no.	Description&Information	Pc.	Unit
010	15809-74110	FAN	1	pc
020	01754-50635	BOLT,FLANGE	4	pc
030	1A230-74150	COLLAR,FAN	1	pc
040	TC803-74250	PULLEY(FAN)	1	pc



VALVE AND ROCKER ARM

Kubota V2403-M-DI-E3B-CSL1T

Item	Item no.	Description&Information	Pc.	Unit
010	1J864-13110	VALVE,INLET	4	pc
020	1J864-13120	VALVE,EXHAUST	4	pc
030	1J864-13240	SPRING,VALVE	8	pc
040	1J864-13330	RETAINER,SPRING	8	pc
050	15221-13980	COLLET,VALVE SPRING	8	pc
060	1J864-13150	SEAL(VALVE STEM)	8	pc
070	1J890-13280	CAP(VALVE)	8	pc
080	1J872-14260	SHAFT(ROCKER ARM)	1	pc
090	1J864-14350	BRACKET(ROCKER ARM)	4	pc
100	1J864-14310	SPRING(ROCKER ARM)	3	pc
110	01754-50855	BOLT,FLANGE	4	pc
120	05411-00528	SPRING PIN	1	pc
130	1J864-14430	WASHER	2	pc
140	04013-50080	WASHER,PLAIN	2	pc
150	04512-50080	WASHER,SPRING LOCK	2	pc
160	01153-50812	BOLT	2	pc
170	1J864-14033	ASSY ROCKER ARM	8	pc
180	1J864-14230	BOLT,ADJUSTING	8	pc
190	15021-14240	NUT	8	pc

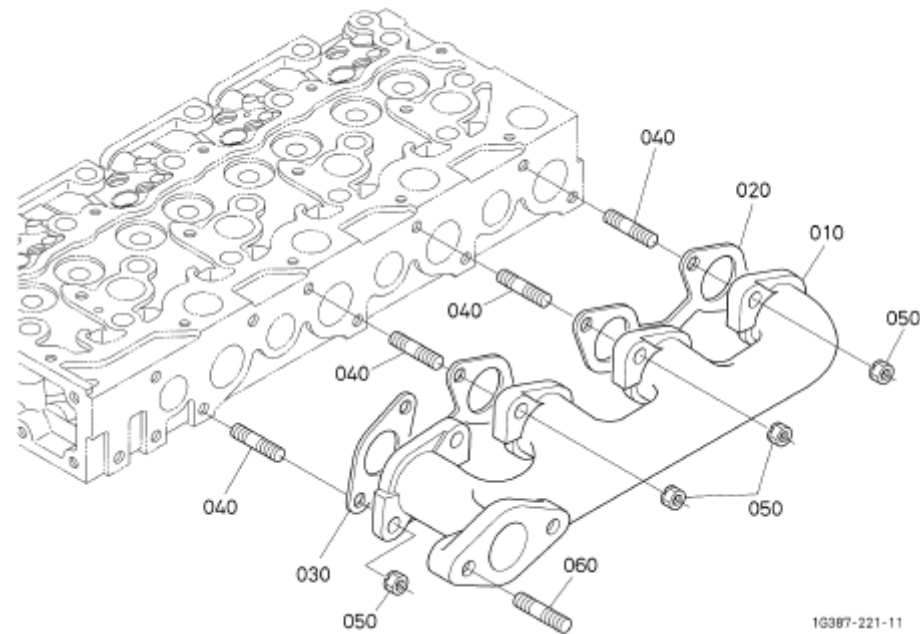


1J341-018-11

INLET MANIFOLD

Kubota V2403-M-DI-E3B-CSL1T

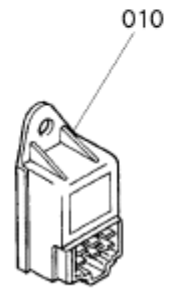
Item	Item no.	Description&Information	Pc.	Unit
010	1J890-11770	MANIFOLD,ASSY(INLET)	1	pc
020	1J864-73340	PIPE(WATER RETURN)	1	pc
030	1J872-11820	GASKET(IN-MANIFOLD)	1	pc
040	01123-50822	BOLT	7	pc



EXHAUST MANIFOLD

Kubota V2403-M-DI-E3B-CSL1T

Item	Item no.	Description&Information	Pc.	Unit
010	15401-12316	MANIFOLD,EXHAUST	1	pc
020	1A091-12360	GASKET,EX-MANIFOLD	1	pc
030	1A091-12350	GASKET,EX-MANIFOLD	1	pc
040	15221-91530	BOLT,STUD	8	pc
050	16429-92010	NUT	8	pc
060	01517-51025	STUD	2	pc

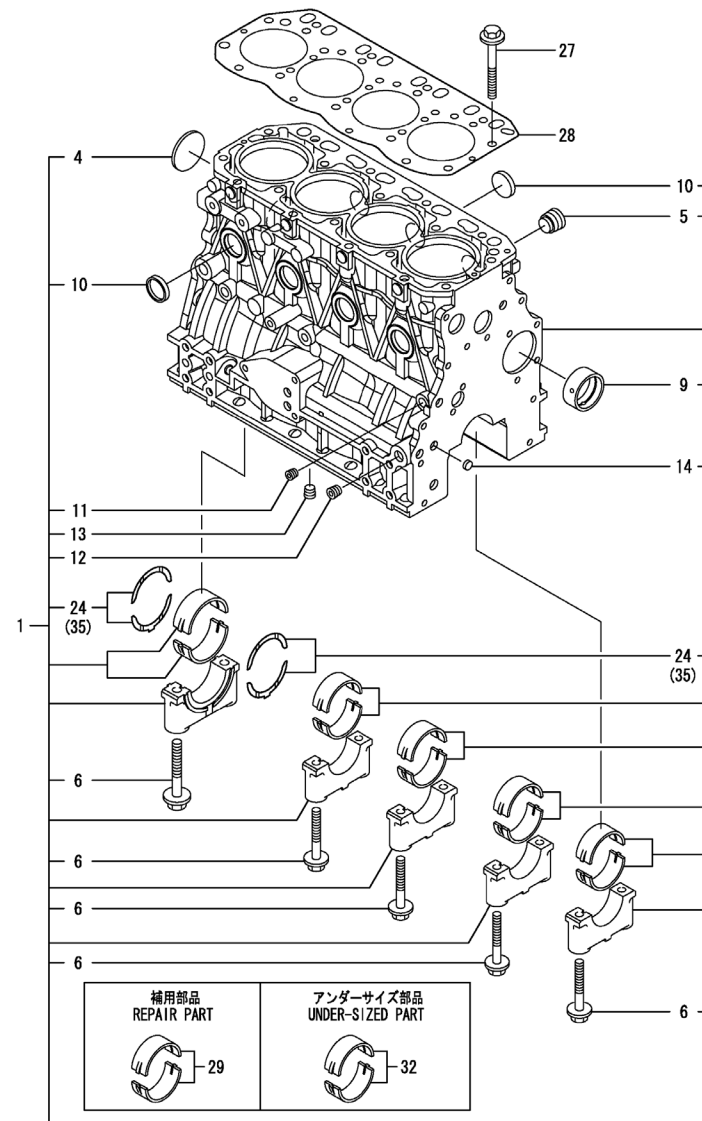


19077-079-21

GLOW LAMP AND TIMER

Kubota V2403-M-DI-E3B-CSL1T

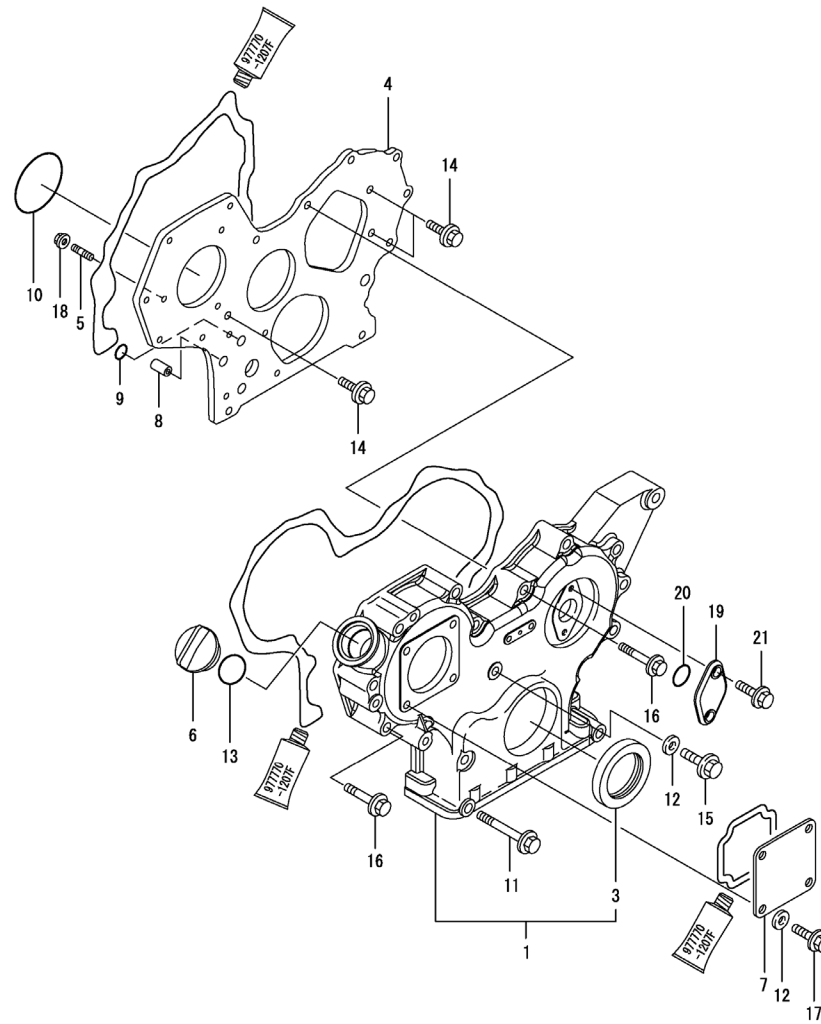
Item	Item no.	Description&Information	Pc.	Unit
010	15694-65990	TIMER(GLOW LAMP)	1	pc



CYLINDER BLOCK

YANMAR 4TNV88

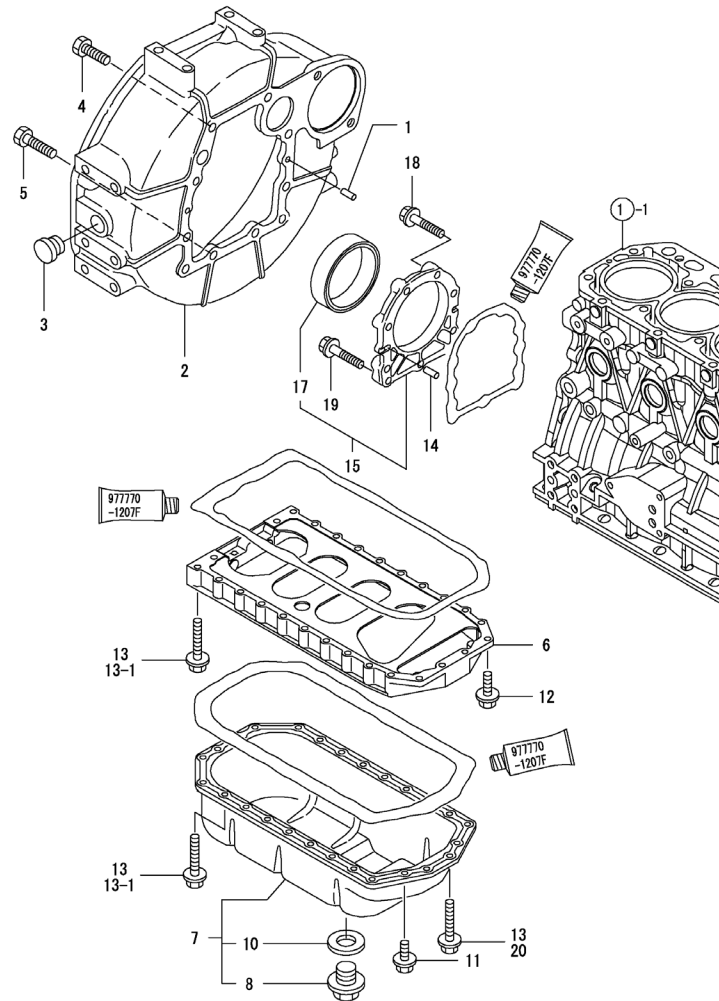
Item	Item no.	Description&Information	Pc.	Unit
1	729602-01560	BLOCK ASSY, CYLINDER	1	pc
4	129001-01250	PLUG, 50	1	pc
5	171051-01921	PLUG, NPTF1	1	pc
6	129150-02020	BOLT, METAL CAP	10	pc
9	129795-02412	BUSH, CAMSHAFT	1	pc
10	27241-300000	PLUG 30	8	pc
11	124060-01050	PLUG, PT1/8	1	pc
12	124160-01910	PLUG, PT1/4	2	pc
13	124160-01910	PLUG, PT1/4	1	pc
14	27241-120000	PLUG, 12	2	pc
24	129150-02931	BEARING, THRUST	2	pc
27	129150-01200	BOLT, HEAD	18	pc
28	129407-01340	GASKET, HEAD	1	pc
29	129001-02931	BEARING, MAIN	5	pc
32	129150-02871	BEARING, 0.25 US	5	pc
35	129150-02941	BEARING, THRUST 0.25	1	pc



GEAR HOUSING

YANMAR 4TNV88

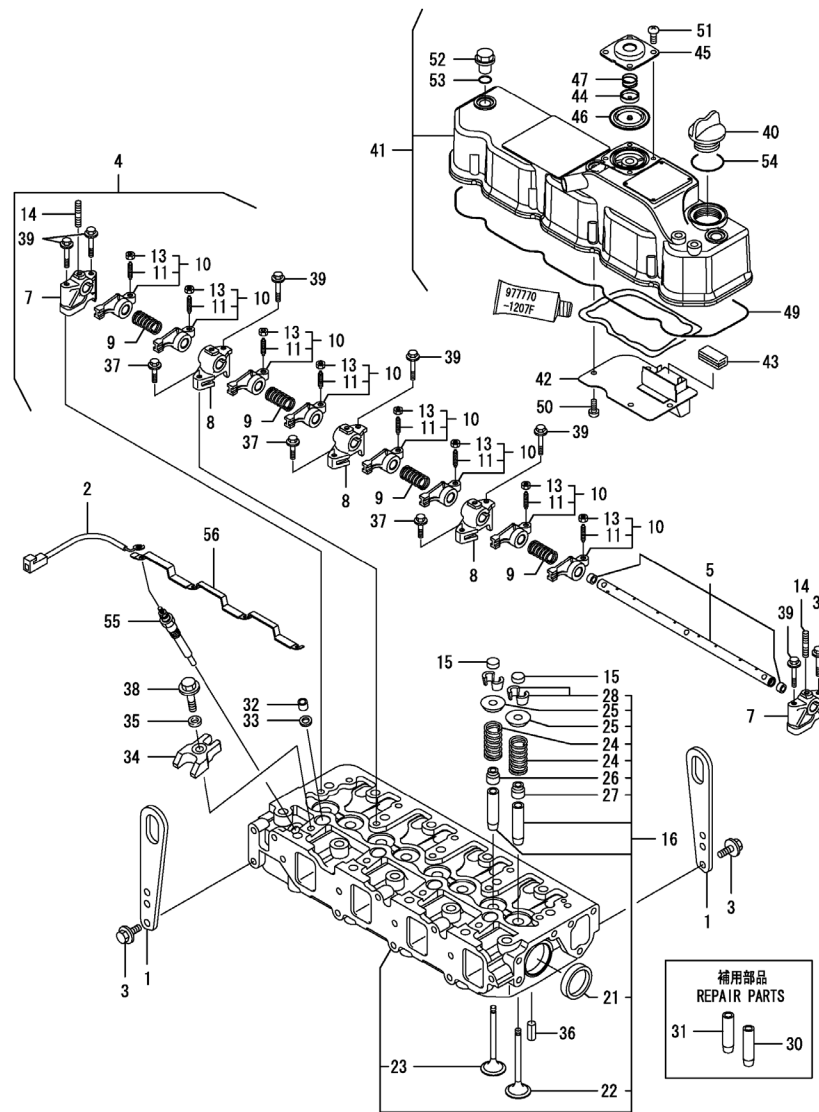
Item	Item no.	Description&Information	Pc.	Unit
1	729630-01500	CASE ASSY, GEAR	1	pc
3	119934-01800	SEAL, OIL	1	pc
4	119803-01520	FLANGE, GEAR CASE	1	pc
5	119802-01561	STUD, M8X25	3	pc
6	124160-01751	COVER, FILLER	1	pc
7	124240-01871	COVER	1	pc
8	129795-01950	PIPE, KNOCK L=18	2	pc
9	119609-32040	O-RING, P16	2	pc
10	121850-51960	O-RING	1	pc
11	129001-91841	BOLT, M8X85	3	pc
12	22190-080002	WASHER, SEAL 6	5	pc
13	24311-000320	O-RING, 1AP32.0	1	pc
14	26106-080162	BOLT, M8X 16 PLATED	3	pc
15	26106-080302	BOLT, M8X 30 PLATED	1	pc
16	26106-080552	BOLT, M8X 55 PLATED	12	pc
17	26106-080162	BOLT, M8X 16 PLATED	4	pc
18	26306-080002	NUT, M8	3	pc
19	121023-01551	COVER	1	pc
20	24341-000240	O-RING, 1AS24.0	1	pc
21	26106-060162	BOLT, M6X 16 PLATED	2	pc



FLYWHEEL HOUSING & OIL SUMP

YANMAR 4TNV88

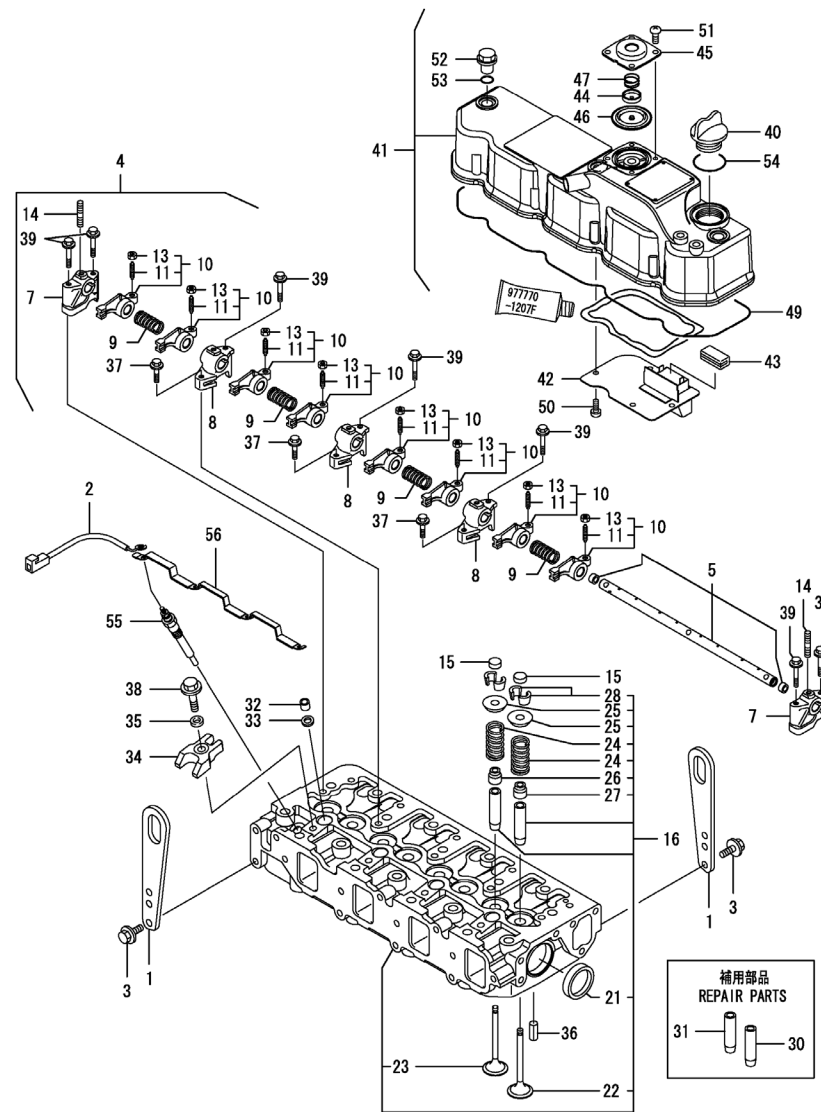
Item	Item no.	Description&Information	Pc.	Unit
1	129100-01580	PIN, M8X16	2	pc
2	129612-01600	HOUSING, FLYWHEEL	1	pc
3	119620-01750	CAP	1	pc
4	26206-100252	BOLT, M10X 25 PLATED	6	pc
5	26206-100302	BOLT, M10X 30 PLATED	4	pc
6	129400-01730	SPACER, OIL SUMP	1	pc
7	129436-01780	SUMP ASSY, OIL	1	pc
8	119640-01640	PLUG, DRAIN M22	1	pc
10	22190-220002	WASHER, SEAL 22	1	pc
11	26106-080162	BOLT, M8X 16 PLATED	4	pc
12	26106-080252	BOLT, M8X 25 PLATED	2	pc
13	26106-080452	BOLT, M8X 45 PLATED	24	pc
13-1	26106-080452	BOLT, M8X 45 PLATED	20	pc
14	129100-01580	PIN, M8X16	1	pc
15	129100-01640	CASE ASSY, OIL SEAL	1	pc
17	129795-01780	SEAL, OIL	1	pc
18	129486-01670	BOLT, M8X30	6	pc
19	26106-080352	BOLT, M8X 35 PLATED	3	pc
20	26106-080502	BOLT, M8X 50 PLATED	4	pc



CYLINDER HEAD & BONNET

YANMAR 4TNV88

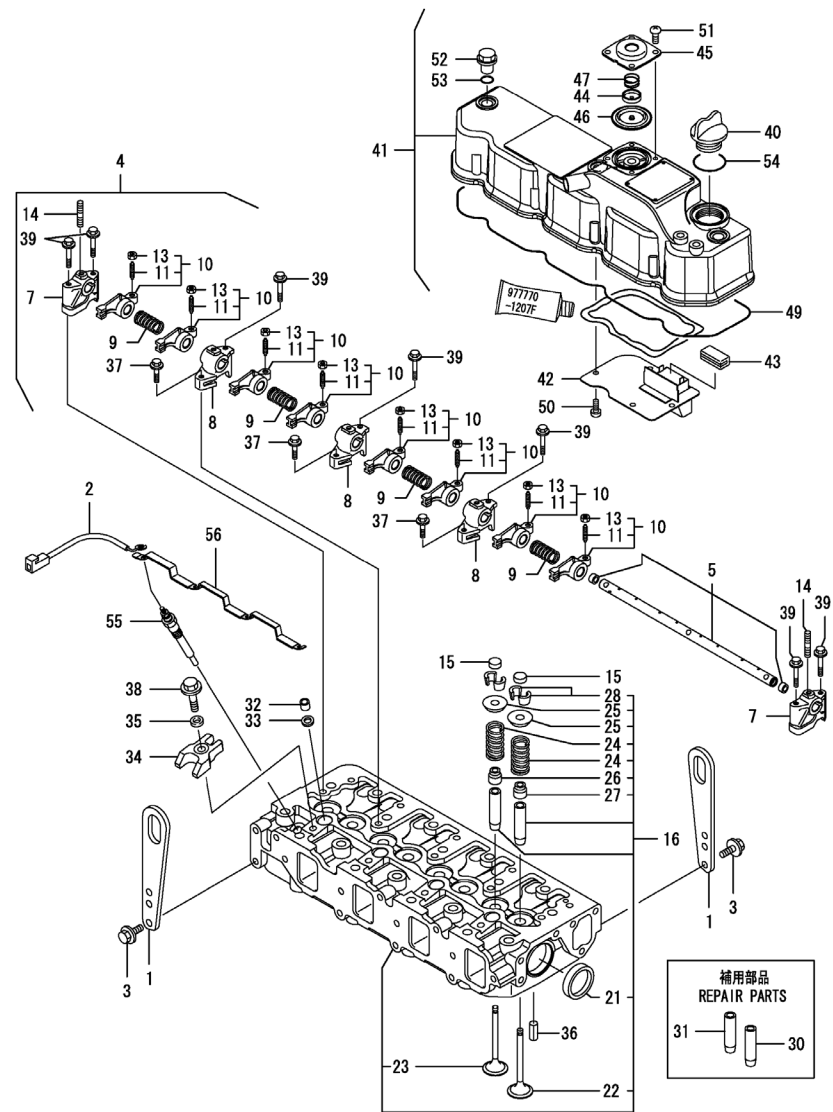
Item	Item no.	Description&Information	Pc.	Unit
1	129900-07900	LIFTER	2	pc
2	119803-77830	HARNESS, WIRE	1	pc
3	26106-080162	BOLT, M8X 16 PLATED	4	pc
4	129601-11241	SHAFT ASSY, ROCKER	1	pc
5	129601-11251	SHAFT, ROCKER ARM	1	pc
7	119802-11260	SUPPORT, ROCKER ARM	2	pc
8	119802-11270	SUPPORT, ROCKER ARM	3	pc
9	129150-11280	SPRING	4	pc
10	129004-11650	ARM, ROCKER	8	pc
11	129150-11230	SCREW, VALVE ADJUST	8	pc
13	129150-11750	NUT, M8	8	pc
14	26226-080182	STUD, M8X 18	3	pc
15	129150-11370	CAP, VALVE	8	pc
16	129604-11700	HEAD ASSY, CYLINDER	1	pc
21	27241-400000	PLUG, 40	2	pc
22	129005-11100	VALVE, INTAKE	4	pc
23	129100-11112	VALVE, EXHAUST	4	pc
24	129795-11120	SPRING, VALVE	8	pc
25	129795-11180	RETAINER, SPRING	8	pc
26	121400-11340	SEAL, VALVE STEM	4	pc
27	124460-11340	SEAL, VALVE STEM	4	pc



CYLINDER HEAD & BONNET

YANMAR 4TNV88

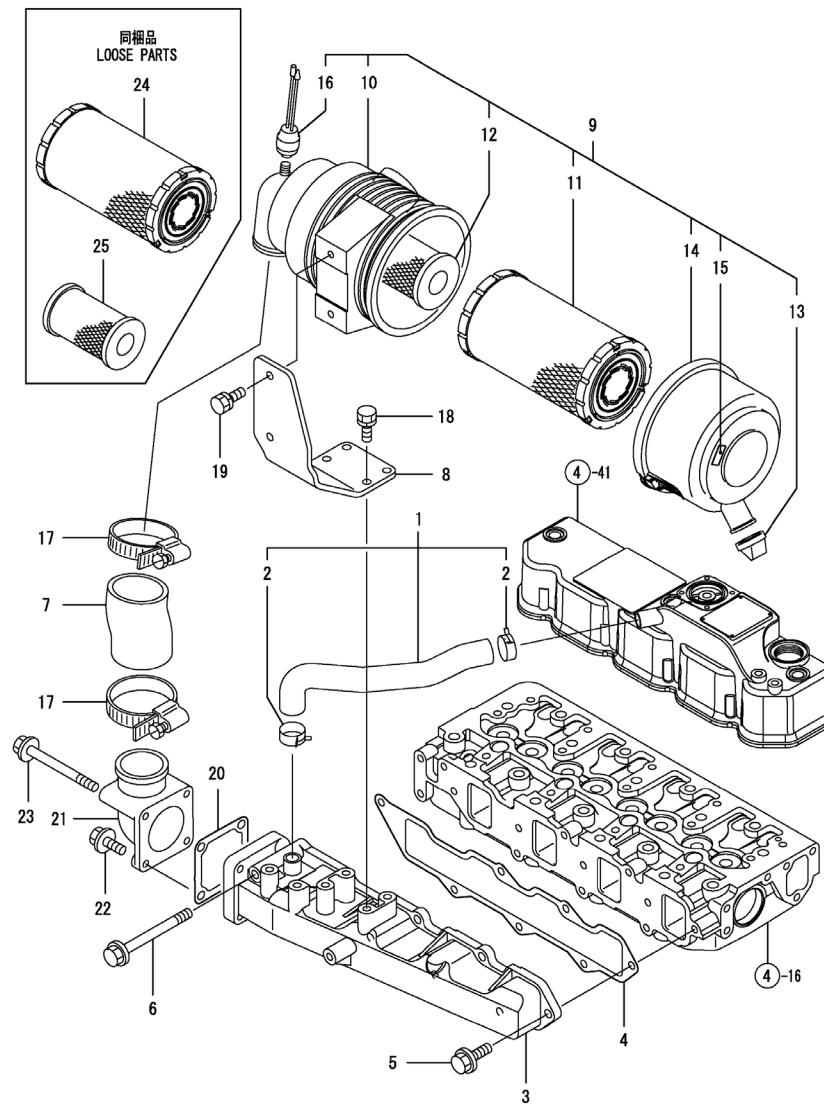
Item	Item no.	Description&Information	Pc.	Unit
28	27310-080001	COTTER, 8	8	pc
30	120130-11860	GUIDE, VALVE	4	pc
31	129150-11810	GUIDE, VALVE	4	pc
32	119802-11870	PROTECTOR, NOZZLE	4	pc
33	119625-11880	SEAT, NOZZLE	4	pc
34	129004-11900	RETAINER, NOZZLE	4	pc
35	120270-54410	WASHER, INJECTOR	4	pc
36	22351-060012	PIN, SPRING 6.0X12	2	pc
37	26106-080252	BOLT, M8X 25 PLATED	3	pc
38	26106-080352	BOLT, M8X 35 PLATED	4	pc
39	26106-080502	BOLT, M8X 50 PLATED	7	pc
40	124160-01751	COVER, FILLER	1	pc
41	129601-11350	BONNET ASSY, HEAD	1	pc
42	129004-03010	PLATE	1	pc
43	129150-03070	BAFFLE, BREATHER	1	pc
44	119802-03110	PLATE	1	pc
45	119802-03121	COVER, DIAPHRAGM	1	pc
46	119802-03130	DIAPHRAGM	1	pc
47	119802-03141	SPRING, DIAPHRAGM	1	pc
49	129601-11310	GASKET, BONNET	1	pc
50	22857-500100	SCREW, 5X10	4	pc



CYLINDER HEAD & BONNET

YANMAR 4TNV88

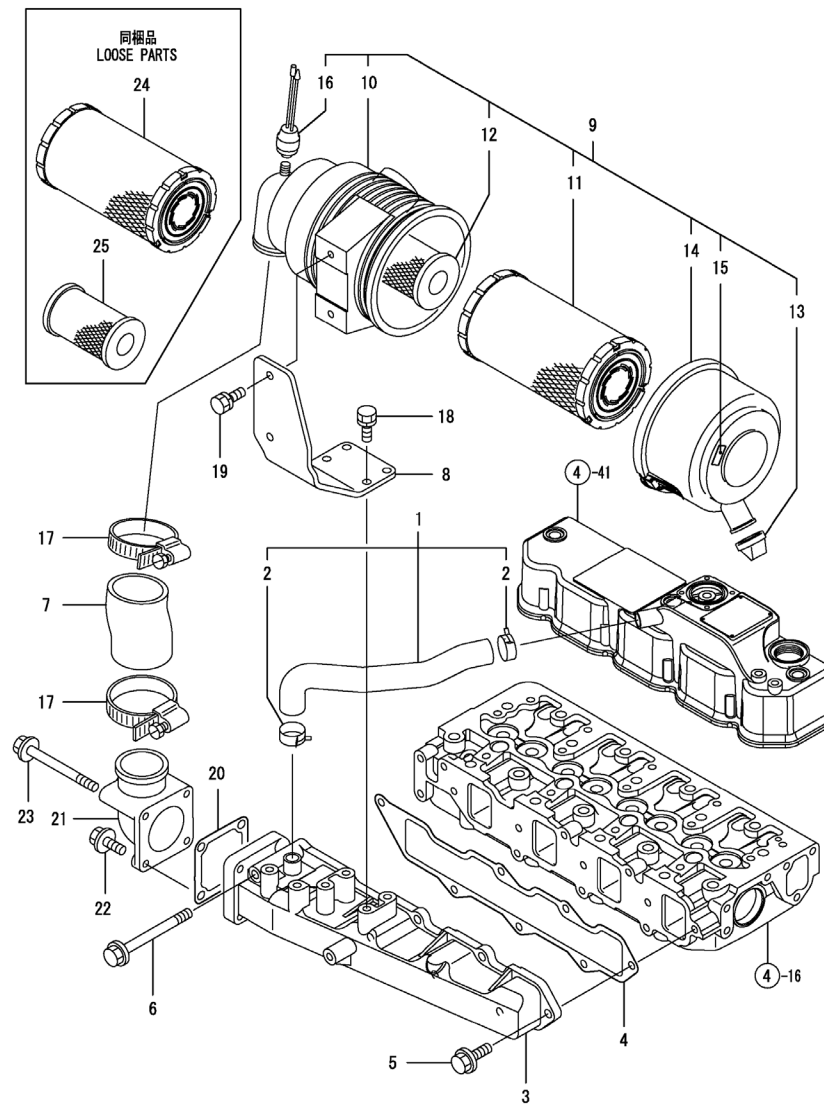
Item	Item no.	Description&Information	Pc.	Unit
51	22857-500100	SCREW, 5X10	4	pc
52	124160-11360	KNOB	3	pc
53	24311-000120	O-RING, 1AP12.0	3	pc
54	24311-000320	O-RING, 1AP32.0	1	pc
55	129008-77800	PLUG, GLOW	4	pc
56	129604-77821	CONNECTOR, GLOW PLUG	1	pc



SUCTION MANIFOLD & AIR CLEANER

YANMAR 4TNV88

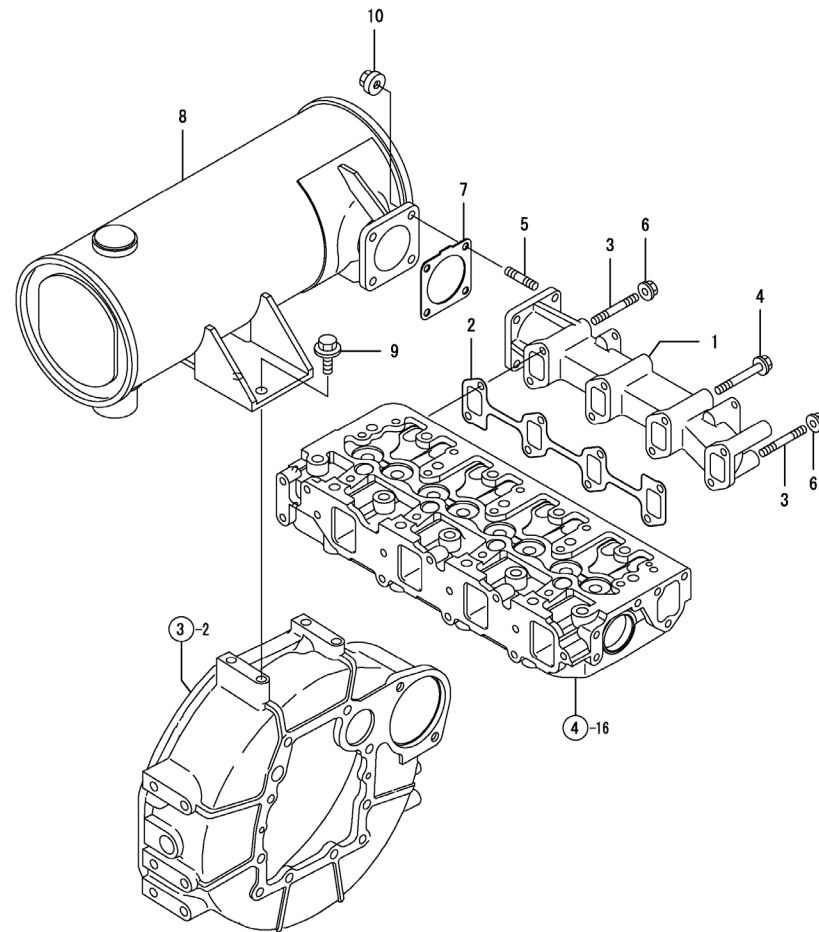
Item	Item no.	Description&Information	Pc.	Unit
1	129601-03080	PIPE , BREATHER	1	pc
2	129410-03990	CLAMP 22	2	pc
3	129601-12100	MANIFOLD, AIR INTAKE	1	pc
4	129407-12110	GASKET, MANIFOLD	1	pc
5	26106-080202	BOLT, M8X 20 PLATED	6	pc
6	26106-080802	BOLT, M8X 80 PLATED	1	pc
7	119910-12210	PIPE, AIR INTAKE	1	pc
8	119802-12560	BRACKET, AIR CLEANER	1	pc
9	119910-12610	CLEANER ASSY, AIR	1	pc
10	119910-12510	BODY, AIR CLEANER	1	pc
11	119808-12520	ELEMENT	1	pc
12	129051-12530	ELEMENT	1	pc
13	119808-12540	VALVE, UNLOADER	1	pc
14	119866-12541	COVER ASSY	1	pc
15	129612-12650	MARKING,(W)	1	pc
16	119140-12680	INDICATOR	1	pc
17	23000-060000	CLAMP, 60	2	pc
18	26013-080222	BOLT, M8X 22	4	pc
19	26013-080222	BOLT, M8X 22	2	pc
20	129150-77511	GASKET	1	pc
21	119803-77520	BEND, AIR HEATER	1	pc
22	26106-080202	BOLT, M8X 20 PLATED	2	pc



SUCTION MANIFOLD & AIR CLEANER

YANMAR 4TNV88

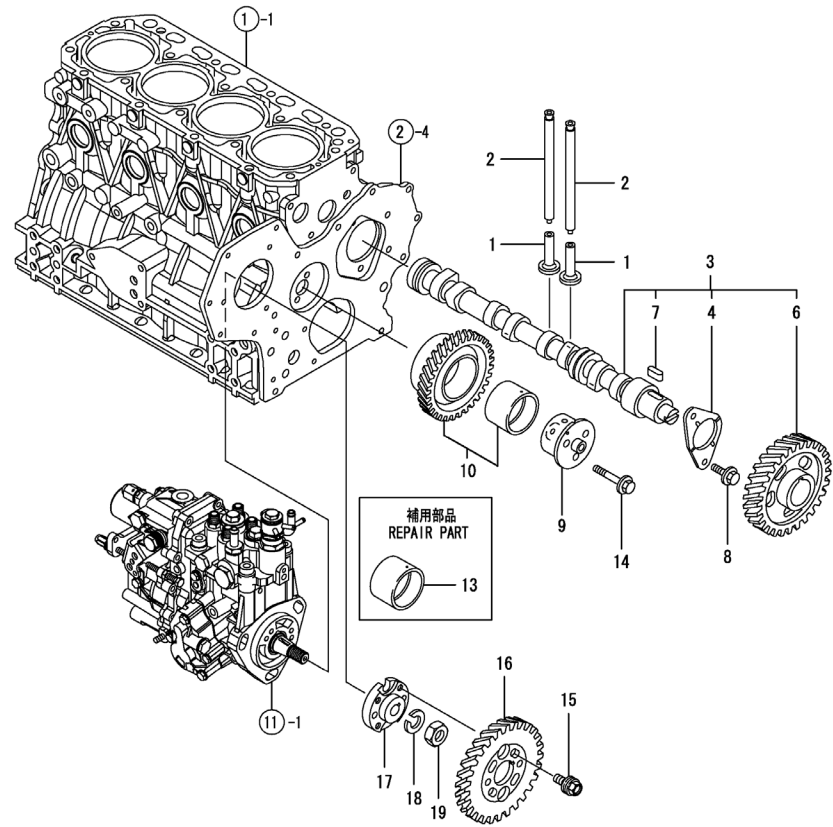
Item	Item no.	Description&Information	Pc.	Unit
23	26106-080802	BOLT, M8X 80 PLATED	2	pc
24	119808-12520	ELEMENT	1	pc
25	129051-12530	ELEMENT	1	pc



EXHAUST MANIFOLD & SILENCER

YANMAR 4TNV88

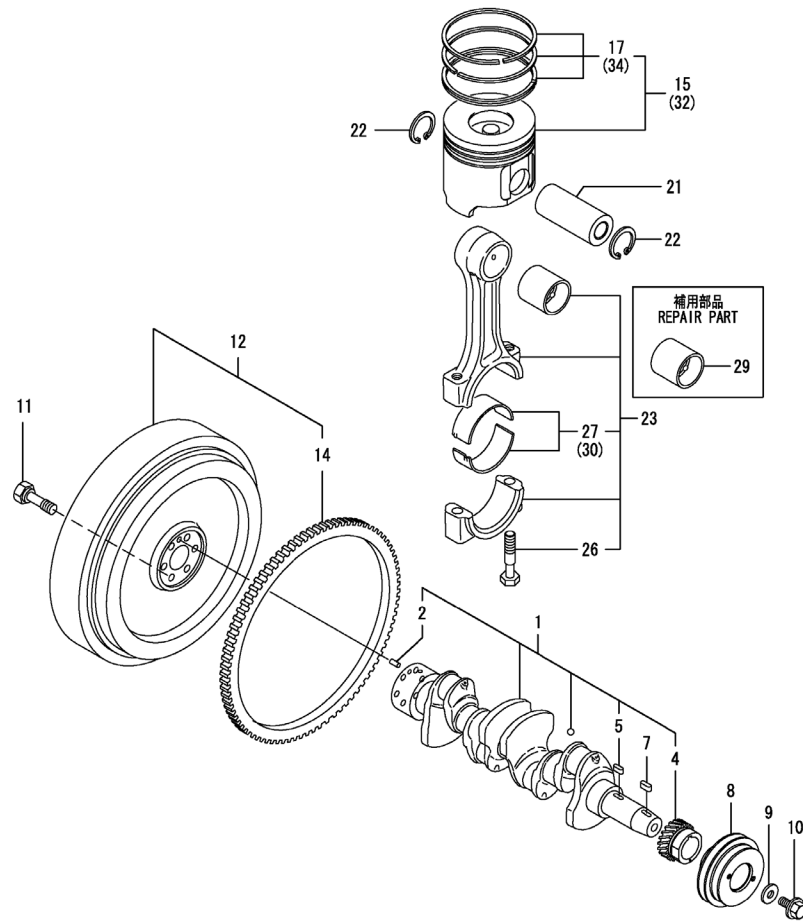
Item	Item no.	Description&Information	Pc.	Unit
1	129640-13109	MANIFOLD, EXHAUST	1	pc
2	129550-13110	GASKET	1	pc
3	123900-13610	STUD, M8X80	2	pc
4	123900-13630	BOLT, M8X80	6	pc
5	119131-18320	STUD, M8X22	4	pc
6	26306-080002	NUT, M8	2	pc
7	129930-13201	GASKET, SILENCER	1	pc
8	129640-13550	SILENCER	1	pc
9	26106-100202	BOLT, M10X 20 PLATED	2	pc
10	26306-080002	NUT, M8	4	pc



CAMSHAFT & DRIVING GEAR

YANMAR 4TNV88

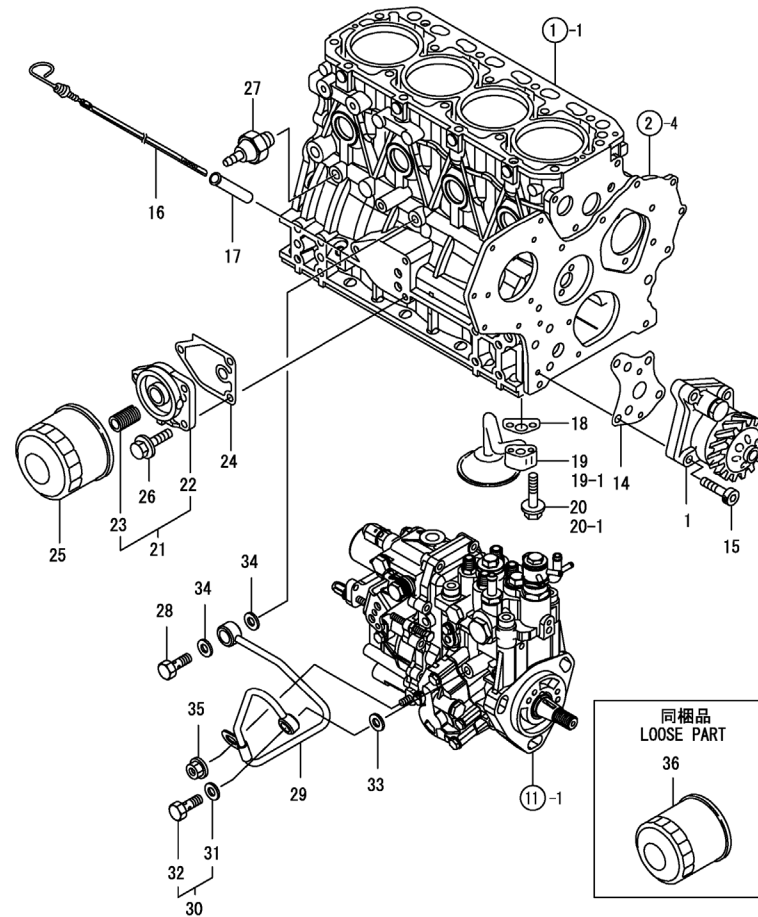
Item	Item no.	Description&Information	Pc.	Unit
1	129150-14200	TAPPET	8	pc
2	129150-14400	ROD, PUSH L=178	8	pc
3	729402-14580	CAMSHAFT ASSY	1	pc
4	129150-02450	BEARING, THRUST	1	pc
6	129150-14101	GEAR, CAMSHAFT	1	pc
7	22512-070140	KEY, 7X 14	1	pc
8	26106-080142	BOLT, M8X 14 PLATED	2	pc
9	119803-25050	SHAFT, IDLE	1	pc
10	119802-25101	GEAR ASSY, IDLE	1	pc
13	119802-25071	BUSH, IDLE GEAR	1	pc
14	26106-080402	BOLT, M8X 40 PLATED	3	pc
15	129150-25301	BOLT	4	pc
16	119802-25901	GEAR, PUMP	1	pc
17	158552-51151	FLANGE	1	pc
18	22217-140000	WASHER, SPRING 14	1	pc
19	26776-140002	NUT, LOCK M14	1	pc



CRANKSHAFT & PISTON

YANMAR 4TNV88

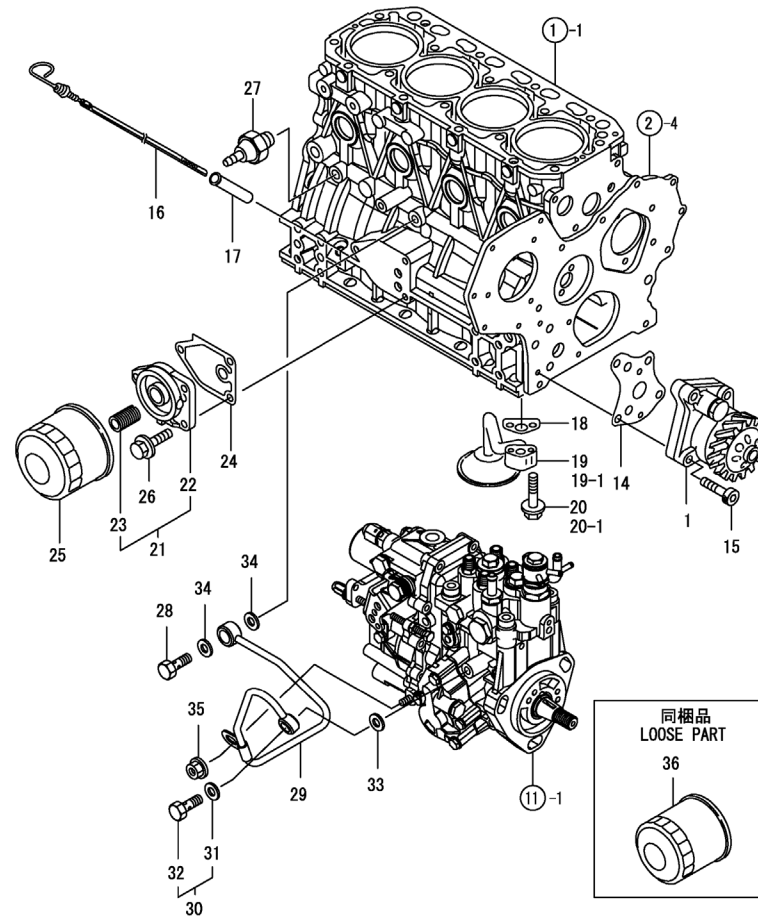
Item	Item no.	Description&Information	Pc.	Unit
1	129604-21000	CRANKSHAFT ASSY	1	pc
2	129100-01580	PIN, M8X16	1	pc
4	119803-21200	GEAR, CRANKSHAFT	1	pc
5	22512-070140	KEY, 7X 14	1	pc
7	22512-070140	KEY, 7X 14	1	pc
8	119852-21660	V-PULLEY, 120	1	pc
9	129795-21661	WASHER	1	pc
10	121850-21680	BOLT	1	pc
11	121111-21501	BOLT, FLYWHEEL	6	pc
12	129489-21590	FLYWHEEL ASSY	1	pc
14	119865-21600	GEAR, RING	1	pc
15	129005-22080	PISTON ASSY	4	pc
17	129005-22500	RING SET, PISTON	4	pc
21	129202-22300	PIN, PISTON D26 L70	4	pc
22	22252-000260	RING, 26	8	pc
23	729402-23100	ROD ASSY, CONNECTING	4	pc
26	121550-23200	BOLT, CONNECTING ROD	8	pc
27	129150-23601	BEARING, CRANK PIN	4	pc
29	129100-23910	BEARING, PISTON PIN	4	pc
30	129150-23611	BEARING, 0.25 US	4	pc
32	129005-22900	PISTON ASSY, 0.25 OS	4	pc
34	129005-22950	RING SET, 0.25 OS	4	pc



LUB.OIL SYSTEM

YANMAR 4TNV88

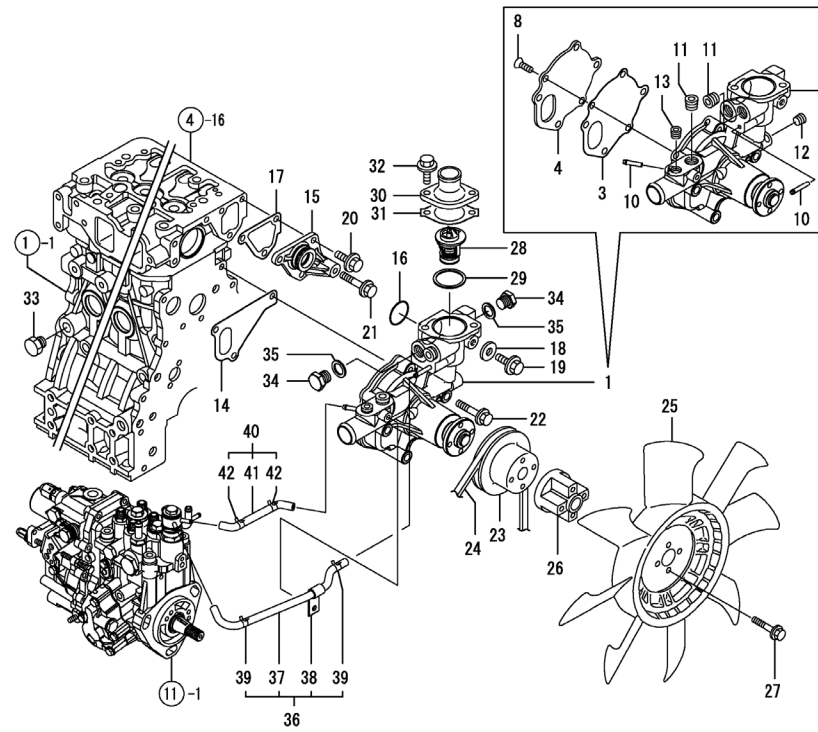
Item	Item no.	Description&Information	Pc.	Unit
1	129407-32000	PUMP ASSY, OIL	1	pc
14	129150-32020	GASKET, PUMP	1	pc
15	26450-060252	BOLT, M6X 25	4	pc
16	129004-34802	DIPSTICK, OIL	1	pc
17	121520-34810	GUIDE, DIPSTICK	1	pc
18	129150-35042	GASKET	1	pc
19	129436-35091	PIPE ASSY, OIL INLET	1	pc
19-1	129436-35070	PIPE ASSY, LUB. OIL	1	pc
20	26106-080352	BOLT, M8X 35 PLATED	2	pc
20-1	26106-080552	BOLT, M8X 55 PLATED	2	pc
21	119802-35100	BRACKET ASSY, FILTER	1	pc
22	119802-35110	BRACKET, FILTER	1	pc
23	129100-35140	STUD	1	pc
24	129150-35111	GASKET	1	pc
25	119005-35170	FILTER, D80X100	1	pc
26	26106-080202	BOLT, M8X 20 PLATED	3	pc
27	114250-39450	SWITCH, 0.5KG	1	pc
28	124160-39140	BOLT, PIPE JOINT M10	1	pc
29	119802-39450	PIPE ASSY, OIL	1	pc
30	129005-59830	BOLT ASSY, JOINT M8	1	pc
31	22190-080002	WASHER, SEAL 6	1	pc
32	23857-030000	BOLT, JOINT 3	1	pc



LUB.OIL SYSTEM

YANMAR 4TNV88

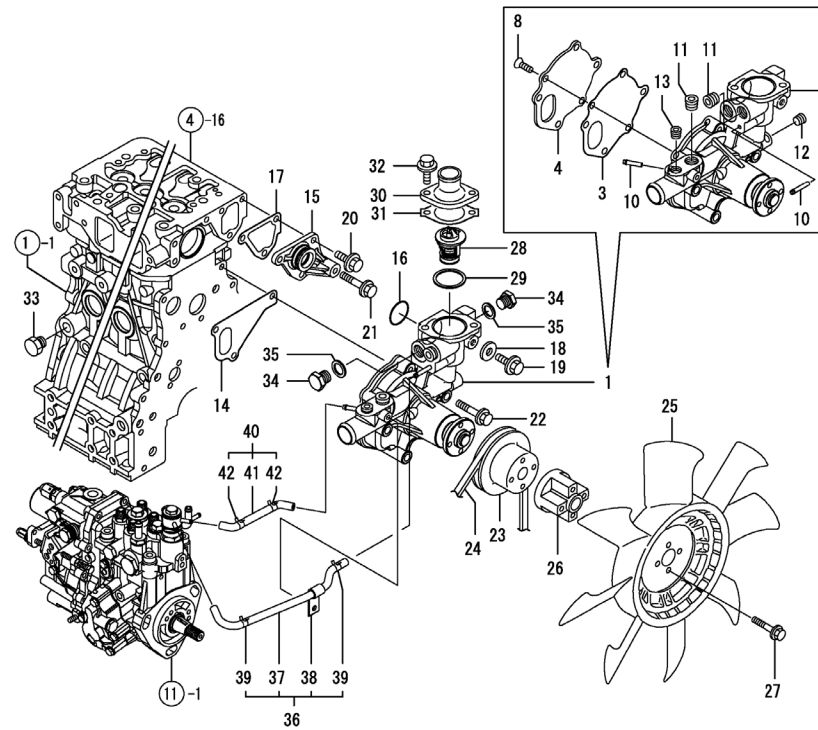
Item	Item no.	Description&Information	Pc.	Unit
33	22190-080002	WASHER, SEAL 6	1	pc
34	22190-100002	WASHER, SEAL 10	2	pc
35	26366-060002	NUT, M6	1	pc
36	119005-35170	FILTER, D80X100	1	pc



COOLING WATER SYSTEM

YANMAR 4TNV88

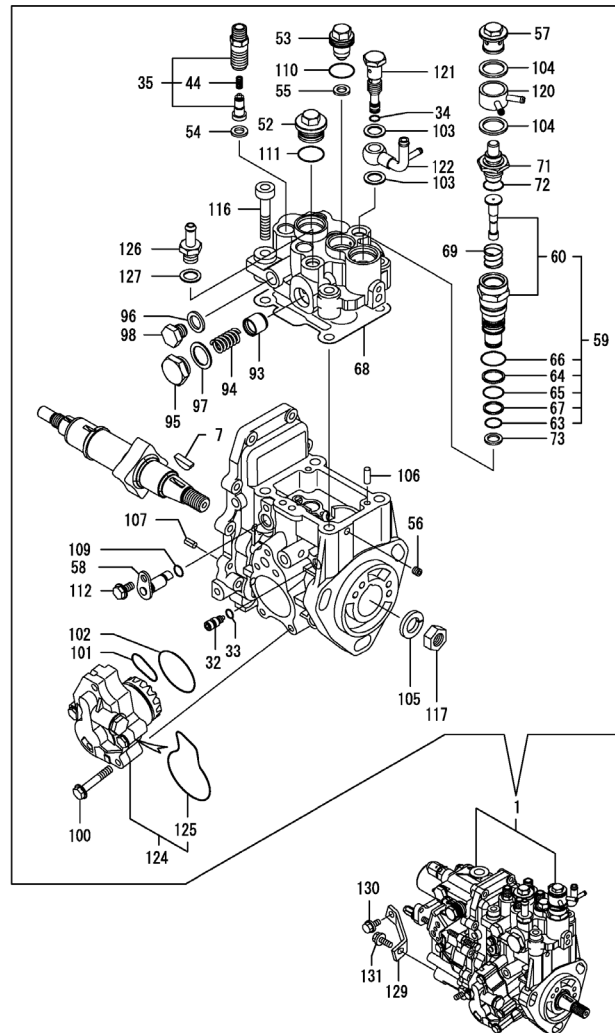
Item	Item no.	Description&Information	Pc.	Unit
1	129004-42001	PUMP ASSY, WATER	1	pc
3	129100-42051	GASKET, WATER PUMP	1	pc
4	129100-42121	PLATE	1	pc
8	121850-42410	SCREW	3	pc
10	119802-49113	JOINT, PIPE	2	pc
11	129916-49740	PLUG, R03	2	pc
12	23876-010000	PLUG, R01	1	pc
13	23876-020000	PLUG, R02	1	pc
14	129486-42021	GASKET, WATER PUMP	1	pc
15	129004-42040	JOINT	1	pc
16	129486-42140	O-RING, G30	1	pc
17	124395-49840	GASKET	1	pc
18	23414-080000	GASKET, 8X1.0	1	pc
19	26106-080122	BOLT, M8X 12 PLATED	1	pc
20	26106-080162	BOLT, M8X 16 PLATED	3	pc
21	26106-080452	BOLT, M8X 45 PLATED	1	pc
22	26106-080602	BOLT, M8X 60 PLATED	2	pc
23	129155-42350	V-PULLEY	1	pc
24	25152-003800	V-BELT, A38	1	pc
25	129436-44740	FAN, COOLING D410	1	pc
26	171353-44760	SPACER, FAN	1	pc
27	26106-060402	BOLT, M6X 40 PLATED	4	pc



COOLING WATER SYSTEM

YANMAR 4TNV88

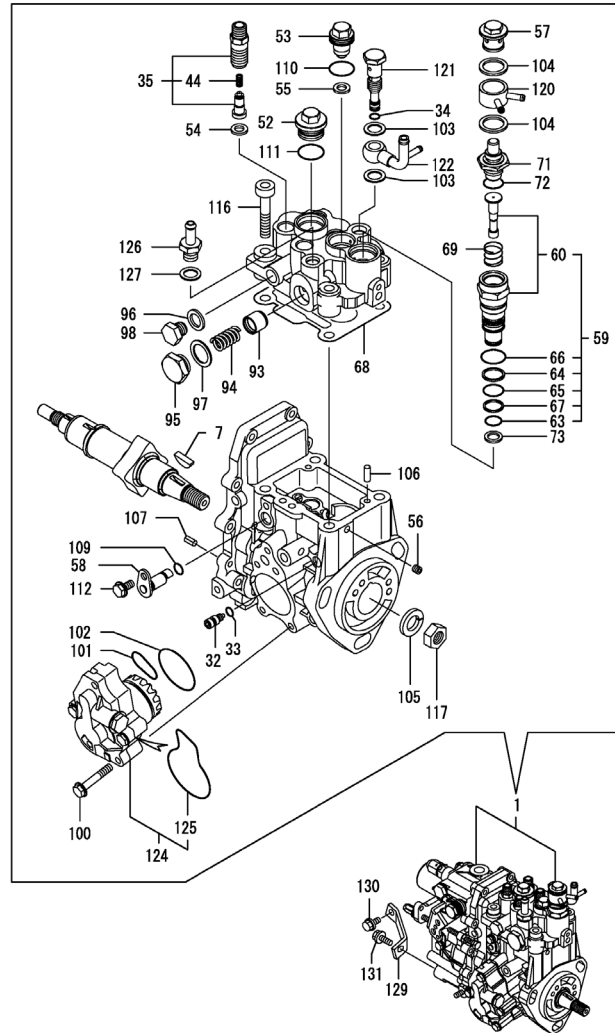
Item	Item no.	Description&Information	Pc.	Unit
28	129155-49801	THERMOSTAT, 71	1	pc
29	129150-49811	GASKET, THERMOSTAT	1	pc
30	129350-49530	COVER, THERMOSTAT	1	pc
31	129795-49551	GASKET	1	pc
32	26106-080222	BOLT, M8X 22 PLATED	2	pc
33	171056-49120	PLUG, DRAIN	1	pc
34	121450-42450	PLUG, M16	2	pc
35	124465-44950	GASKET, 16	2	pc
36	129004-49610	PIPE ASSY, WATER	1	pc
37	129004-49711	PIPE ASSY, WATER	1	pc
38	119802-49730	RETAINER, PIPE	1	pc
39	124722-59050	CLIP, HOSE 9	2	pc
40	129004-49620	PIPE ASSY, WATER	1	pc
41	129004-49721	PIPE ASSY, WATER	1	pc
42	124722-59050	CLIP, HOSE 9	2	pc



FUEL INJECTION PUMP

YANMAR 4TNV88

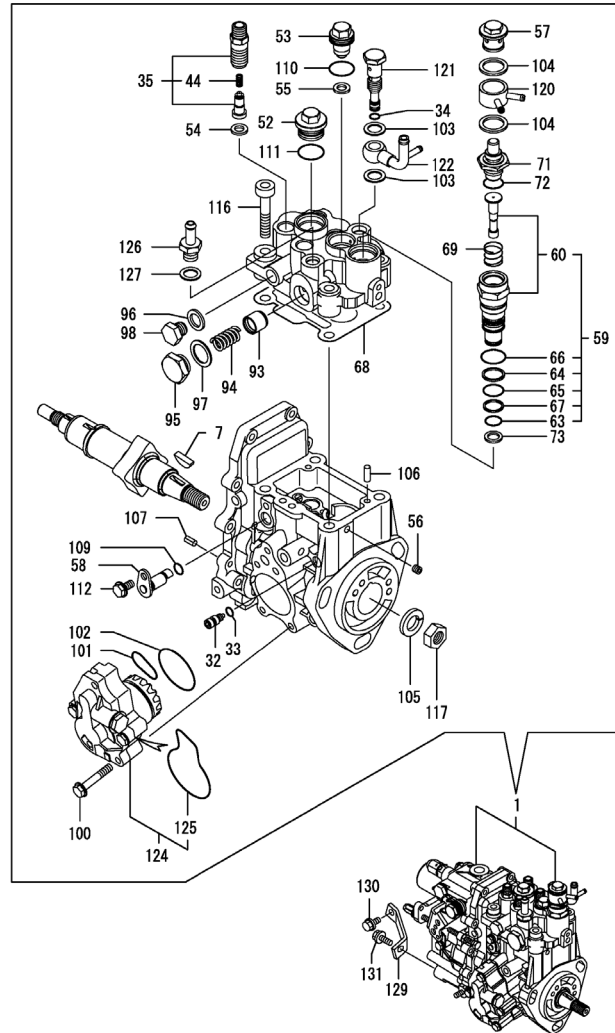
Item	Item no.	Description&Information	Pc.	Unit
1	729630-51420	PUMP ASSY, INJECTION	1	pc
7	119802-51090	KEY, 4X16	1	pc
32	158600-51270	STOPPER, TAPPET	1	pc
33	158563-51281	O-RING, 4D S6	1	pc
34	158563-51281	O-RING, 4D S6	1	pc
35	129008-51390	VALVE ASSY, DELIVERY	4	pc
44	158563-51330	SPRING, DELIVERY	4	pc
52	158601-51550	PLUG	1	pc
53	119802-51560	PLUG, BARREL	1	pc
54	158552-51571	GASKET	4	pc
55	158552-51571	GASKET	1	pc
56	158557-51570	PLUG	1	pc
57	158601-51570	PLUG	1	pc
58	158552-51580	LIFTER	1	pc
59	119802-51590	TIMER SET	1	pc
60	119802-51600	TIMER ASSY	1	pc
63	158553-51670	O-RING, 1011	1	pc
64	119802-51680	RING, BACK UP	1	pc
65	119802-51690	O-RING	1	pc
66	24356-010200	O-RING, 4D1020	1	pc
67	24372-000150	RING, BACK UP T2P15	1	pc
68	158552-51600	GASKET	1	pc



FUEL INJECTION PUMP

YANMAR 4TNV88

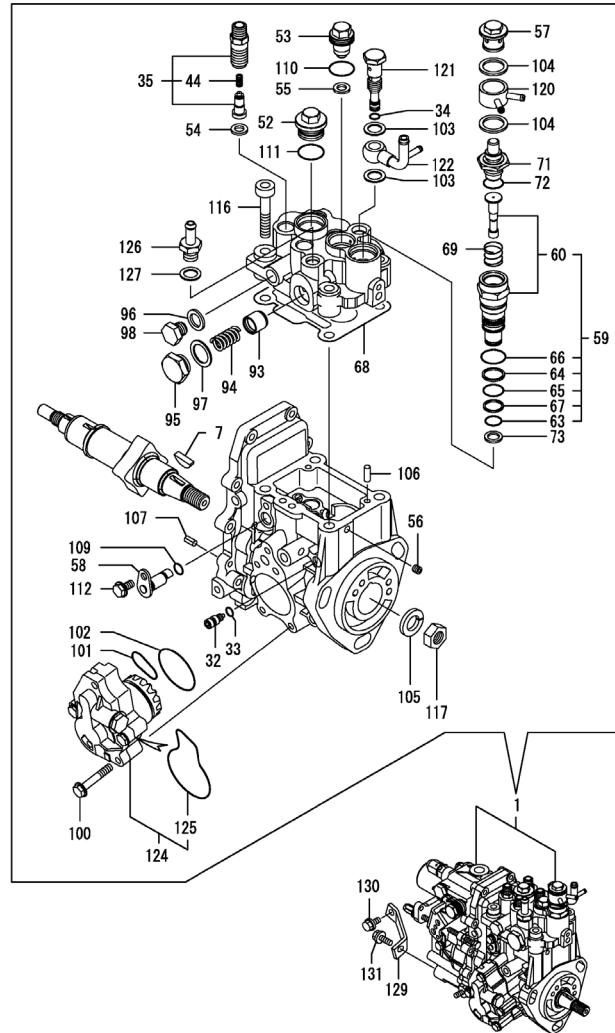
Item	Item no.	Description&Information	Pc.	Unit
69	158553-51630	SPRING, TIMER	1	pc
71	158553-51640	ELEMENT	1	pc
72	158553-51660	O-RING, P14	1	pc
73	158553-51680	GASKET	1	pc
93	158601-51770	PISTON	1	pc
94	158552-51781	SPRING	1	pc
95	158601-51790	PLUG	1	pc
96	22190-120002	WASHER, SEAL 12	1	pc
97	22190-180002	WASHER, SEAL 18	1	pc
98	23887-120002	PLUG, 12	1	pc
100	158553-51770	BOLT	4	pc
101	158552-52310	O-RING	1	pc
102	158552-52400	O-RING, 4E S42	1	pc
103	22190-120002	WASHER, SEAL 12	2	pc
104	22190-180002	WASHER, SEAL 18	2	pc
105	22217-140000	WASHER, SPRING 14	1	pc
106	22312-050140	PIN, PARALLEL M5X14	2	pc
107	22351-050010	PIN, SPRING 5.0X10	2	pc
109	24311-000070	O-RING, 1AP7.0	1	pc
110	24356-010180	O-RING, 4D1018	1	pc
111	24356-010200	O-RING, 4D1020	1	pc
112	26106-060102	BOLT, M6X 10 PLATED	1	pc



FUEL INJECTION PUMP

YANMAR 4TNV88

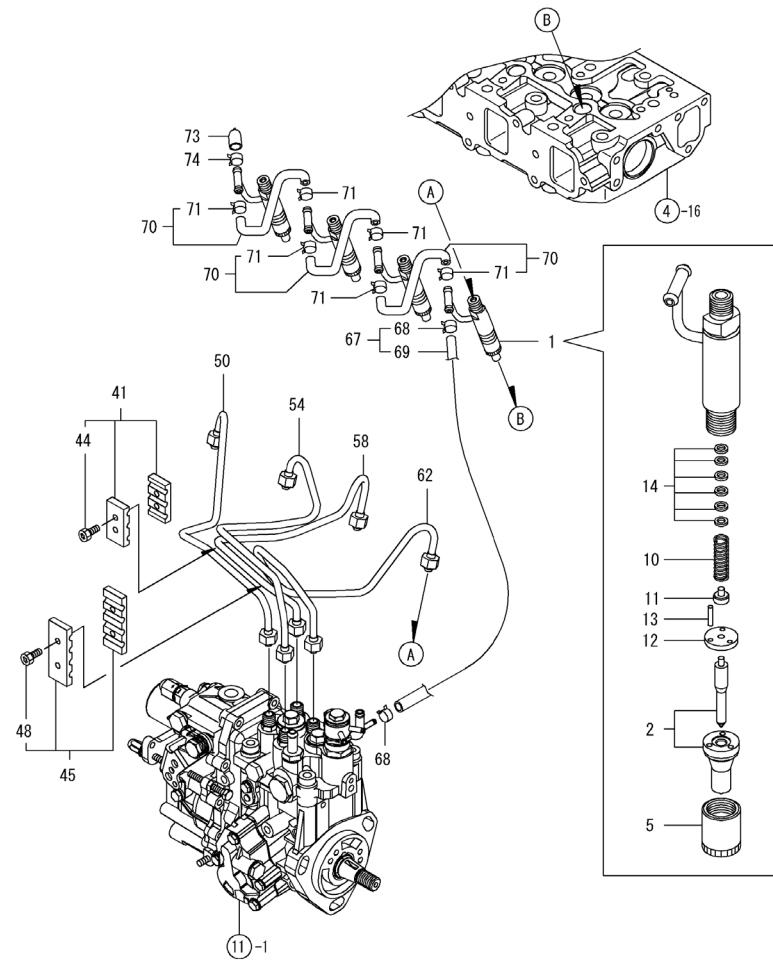
Item	Item no.	Description&Information	Pc.	Unit
116	26450-080452	BOLT, M8X 45	4	pc
117	26776-140002	NUT, LOCK M14	1	pc
120	158553-51551	JOINT	1	pc
121	158601-51650	JOINT, OVER FLOW	1	pc
122	158552-51670	JOINT, OVER FLOW	1	pc
124	158552-52100	PUMP ASSY, FUEL FEED	1	pc
125	158552-52500	O-RING	1	pc
126	119934-59910	JOINT, PIPE	1	pc
127	22190-120002	WASHER, SEAL 12	1	pc
129	129601-51250	RETAINER, PUMP	1	pc
130	26106-080162	BOLT, M8X 16 PLATED	1	pc
131	26106-080202	BOLT, M8X 20 PLATED	1	pc



GOVERNOR

YANMAR 4TNV88

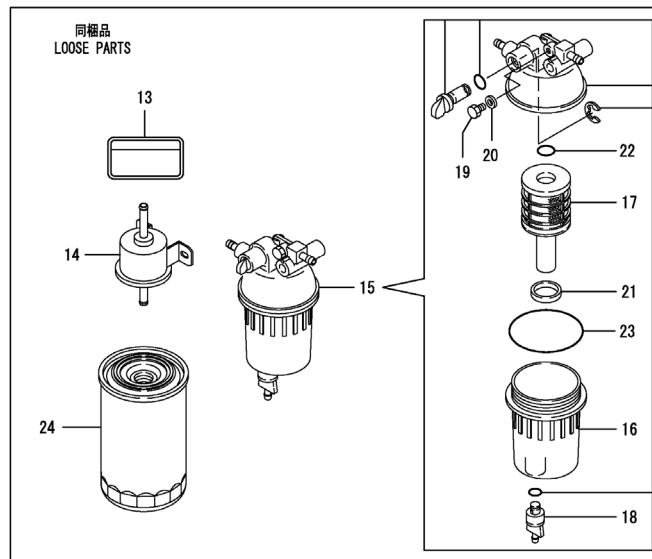
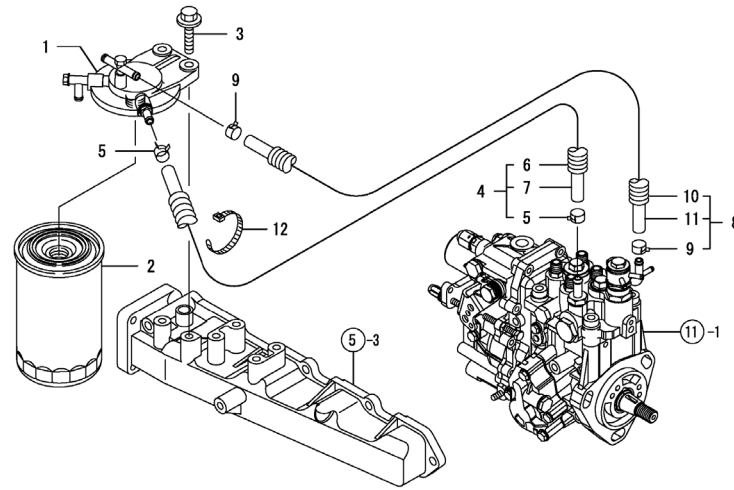
Item	Item no.	Description&Information	Pc.	Unit
3	158553-61050	GASKET	1	pc
4	158553-61070	GASKET	1	pc
6	129155-51280	O-RING, S6	1	pc
22	129255-61410	NUT, LOCK	1	pc
23	119807-61420	SPRING, RETURN	1	pc
24	158552-61441	LEVER, REGULATOR	1	pc
25	129155-61460	BOLT, IDLE	1	pc
60	119660-61901	RETAINER, SHAFT	1	pc
64	22190-120000	WASHER, SEAL 12	1	pc
66	23887-120002	PLUG, 12	1	pc
68	26106-060102	BOLT, M6X 10 PLATED	1	pc
69	26756-060002	NUT, LOCK M6	1	pc
78	158552-61900	O-RING	1	pc
84	26106-060142	BOLT, M6X 14 PLATED	2	pc
85	26106-060142	BOLT, M6X 14 PLATED	4	pc
86	26106-060202	BOLT, M6X 20 PLATED	10	pc
87	129642-61060	COVER, GOVERNOR CASE	1	pc
130	119653-77950	SOLENOID, STOP	1	pc



FUEL INJECTION VALVE

YANMAR 4TNV88

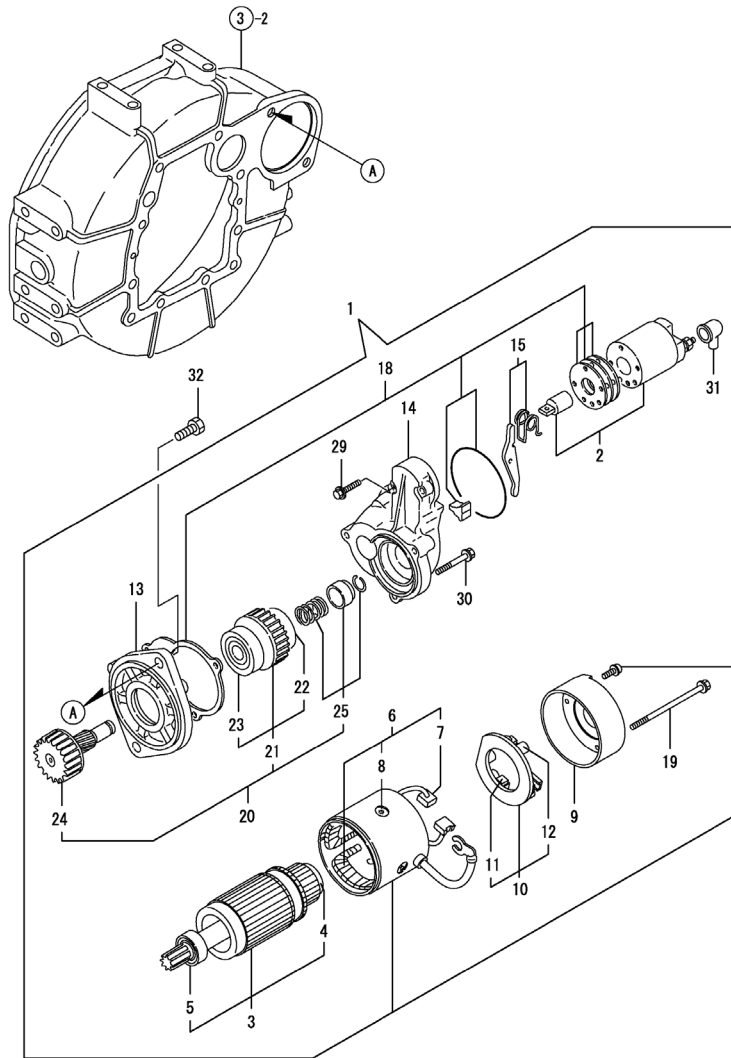
Item	Item no.	Description&Information	Pc.	Unit
1	729236-53100	VALVE ASSY,INJECTION	4	pc
2	129236-53000	VALVE ASSY,INJECTION	4	pc
5	114250-53080	NUT, NOZZLE D16.95	4	pc
10	114250-53120	SPRING, NOZZLE	4	pc
11	114250-53130	SEAT, SPRING	4	pc
12	114250-53140	PLATE	4	pc
13	114250-53210	PIN	8	pc
14	119803-53400	SHIM SET	4	pc
41	129150-59120	RETAINER, PIPE	1	pc
44	129150-59131	BOLT, M4X14	2	pc
45	129550-59120	RETAINER, PIPE	1	pc
48	129150-59131	BOLT, M4X14	2	pc
50	129601-59810	PIPE ASSY, INJECTION	1	pc
54	129601-59820	PIPE ASSY, INJECTION	1	pc
58	129601-59830	PIPE ASSY, INJECTION	1	pc
62	129601-59840	PIPE ASSY, INJECTION	1	pc
67	119802-59550	PIPE ASSY, RETURN	1	pc
68	124722-59050	CLIP, HOSE 9	2	pc
69	119802-59560	PIPE, FUEL RETURN	1	pc
70	12948659551	PIPE ASSY, RETURN	3	pc
71	124722-59050	CLIP, HOSE 9	6	pc
73	119593-59581	CAP	1	pc
74	124060-77680	CLIP, HOSE 10	1	pc



FUEL LINE

YANMAR 4TNV88

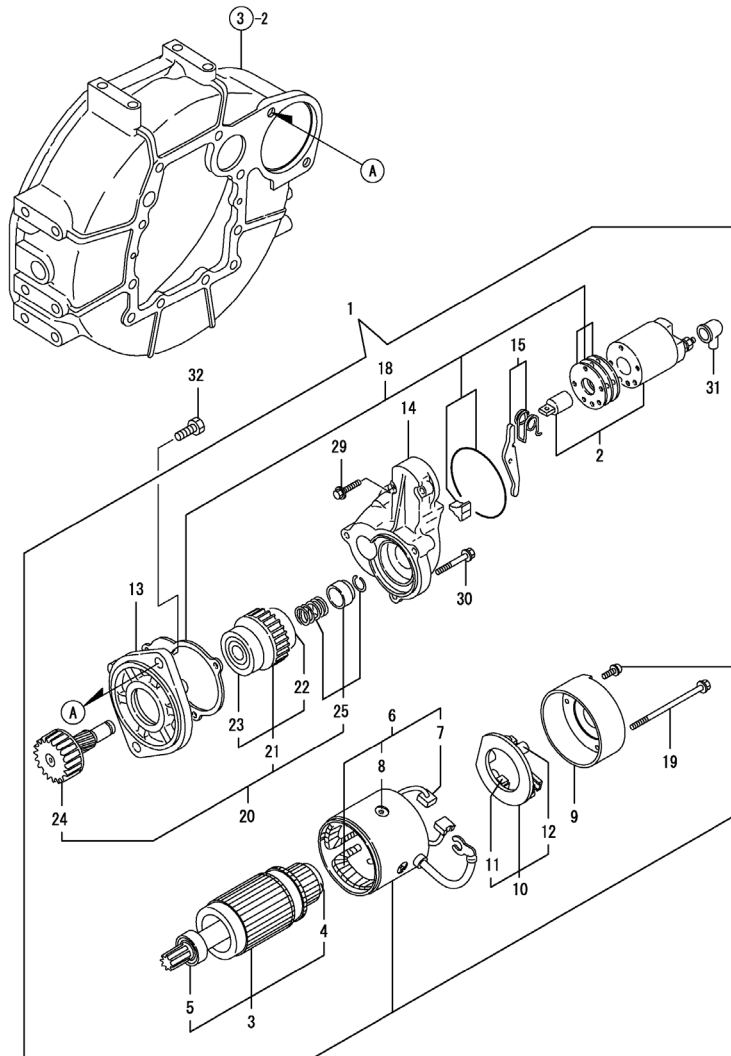
Item	Item no.	Description&Information	Pc.	Unit
1	129004-55612	BRACKET, FILTER	1	pc
2	129907-55810	FILTER, FUEL	1	pc
3	26106-080302	BOLT, M8X 30 PLATED	2	pc
4	129630-59010	PIPE ASSY, FUEL	1	pc
5	124766-59050	CLIP, HOSE 12	2	pc
6	129961-59110	TUBE, CORRUGATED	1	pc
7	105025-59560	PIPE, FUEL	1	pc
8	129956-59010	PIPE ASSY, FUEL	1	pc
9	124766-59050	CLIP, HOSE 12	2	pc
10	129957-59101	TUBE, CORRUGATED	1	pc
11	105225-59511	PIPE, FUEL	1	pc
12	121750-59890	BAND, 140	1	pc
13	114110-07760	LABEL, FUEL OIL NOTI	1	pc
14	119225-52102	PUMP ASSY, FUEL FEED	1	pc
15	129242-55700	SEPARATOR ASSY	1	pc
16	129242-55720	CUP	1	pc
17	129242-55730	ELEMENT	1	pc
18	129242-55740	PLUG, DRAIN	1	pc
19	129242-55750	VALVE, AIR VENT	1	pc
20	129242-55760	GASKET	1	pc
21	129242-55770	FLOAT	1	pc
22	24311-000160	O-RING, 1AP16.0	1	pc
23	24321-000750	O-RING, 1AG75.0	1	pc
24	129907-55810	FILTER, FUEL	1	pc



STARTING MOTOR

YANMAR 4TNV88

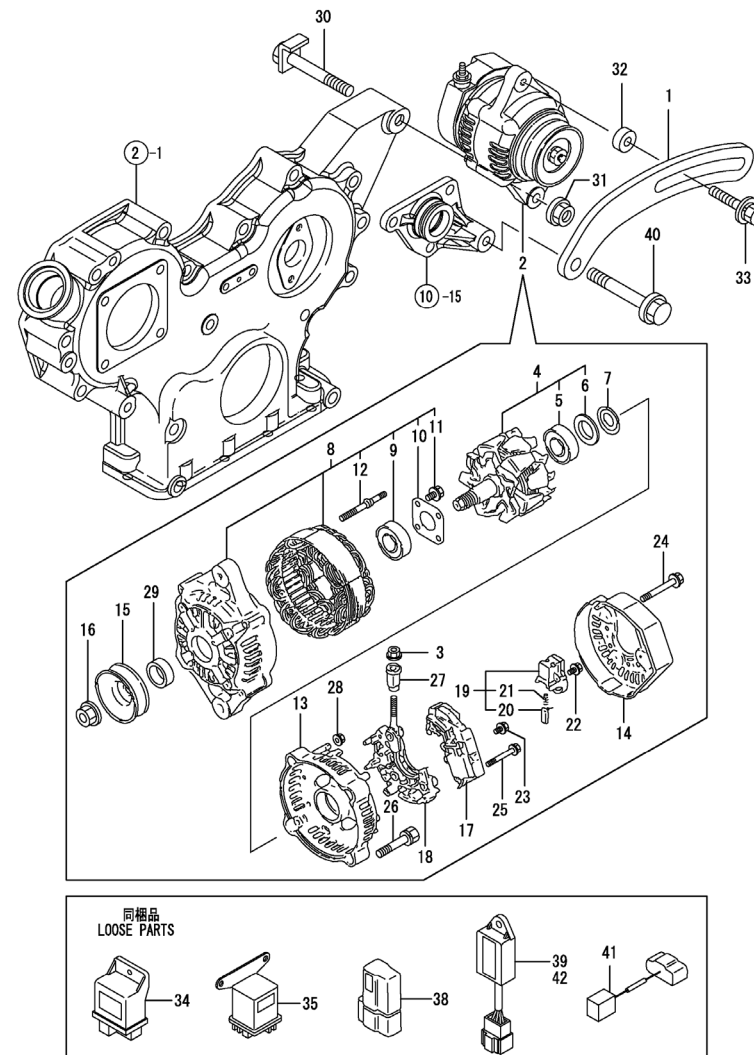
Item	Item no.	Description&Information	Pc.	Unit
1	129136-77011	STARTER	1	pc
2	129136-77310	SWITCH ASSY	1	pc
3	129900-77400	ARMATURE ASSY	1	pc
4	X2130350900	BALL BEARING	1	pc
5	X2114255110	BEARING, BALL	1	pc
6	129900-77440	BEARING, BALL	1	pc
7	129900-77450	BRUSH (+)	2	pc
8	171008-77450	SCREW	4	pc
9	129900-77460	COVER, REAR	1	pc
10	129900-77480	HOLDER ASSY, BRASH	1	pc
11	129900-77450	BRUSH (+)	2	pc
12	129400-77490	SPRING, BRUSH	4	pc
13	171008-77510	HOUSING ASSY, GEAR	1	pc
14	129136-77520	CENTER HOUSING	1	pc
15	171008-77540	LEVER SET, SHIFT	1	pc
18	129400-77571	DUST COVER,(NON-ASB.	1	pc
19	129900-77640	BOLT, THROUGHT	2	pc
20	171008-77650	PINION ASSY	1	pc
21	X2114555500	CLUTCH ASSY	1	pc
22	X2114955020	BALL BEARING	1	pc
23	X2240410100	BEARING, BALL	1	pc
24	171008-77660	SHAFT, PINION	1	pc



STARTING MOTOR

YANMAR 4TNV88

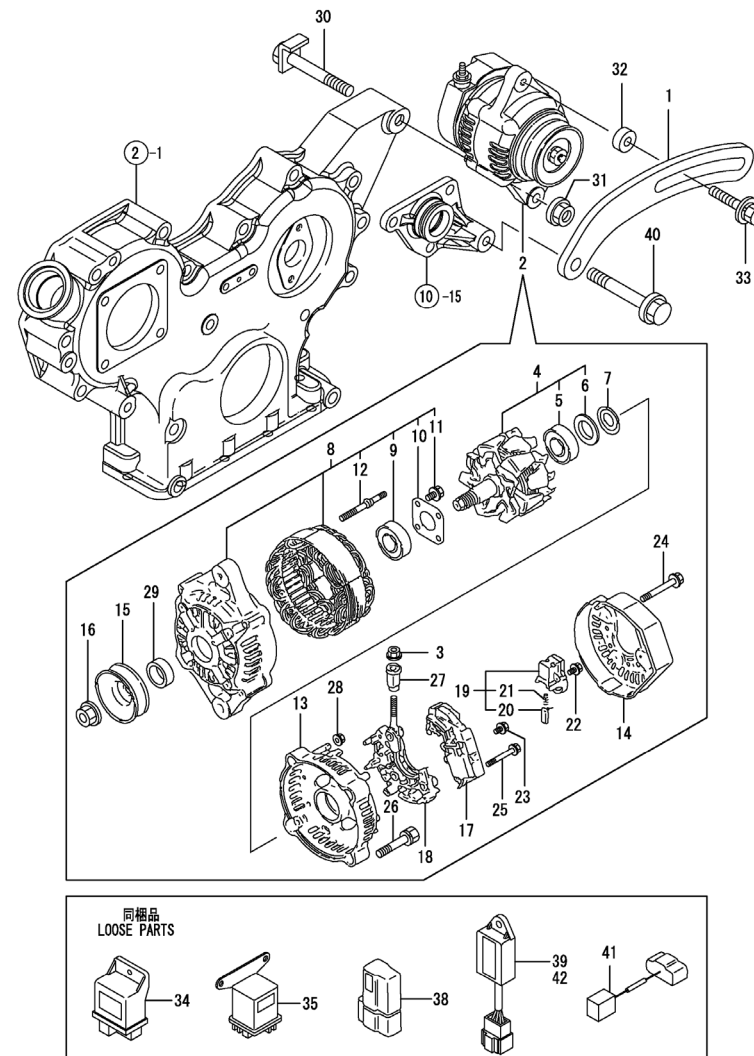
Item	Item no.	Description&Information	Pc.	Unit
25	171008-77670	STOPPER SET, PINION	1	pc
29	26106-060322	BOLT, M6X 32 PLATED	2	pc
30	26106-060402	BOLT, M6X 40 PLATED	3	pc
31	171008-77750	COVER, M TERMINAL	1	pc
32	26116-120252	BOLT, M12X 25 PLATED	2	pc



GENERATOR

YANMAR 4TNV88

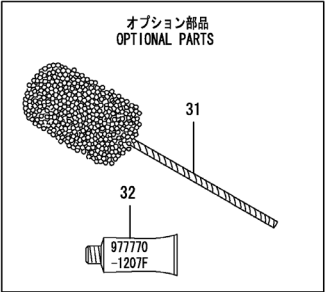
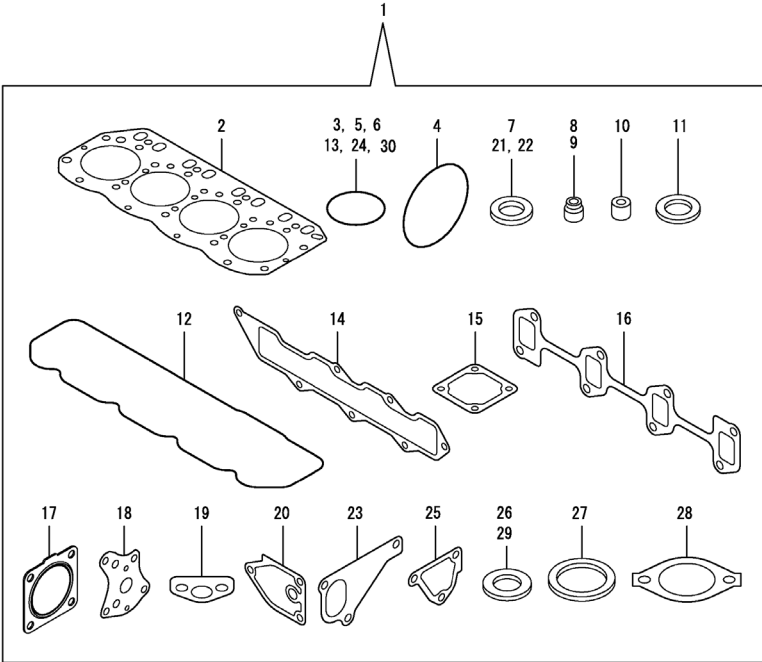
Item	Item no.	Description&Information	Pc.	Unit
1	119802-77330	ADJUSTER	1	pc
2	129423-77200	GENERATOR, 12V-40A	1	pc
3	X9490561001	NUT	1	pc
4	119620-77380	ROTOR ASSY	1	pc
5	119620-79240	BALL BEARING	1	pc
6	119620-79250	COVER, BEARING	1	pc
7	119620-79360	WASHER, THRUST	1	pc
8	119620-77421	FRAME ASSY, DRIVE	1	pc
9	119620-79200	BALL BEARING	1	pc
10	119620-79210	PLATE	1	pc
11	119620-79220	SCREW	4	pc
12	119620-79230	BOLT, STUD	2	pc
13	119620-77440	FLAME ASSY, REAR	1	pc
14	129240-79300	COVER	1	pc
15	119620-77461	PULLEY	1	pc
16	119620-77471	NUT	1	pc
17	129423-77710	REGULATOR ASSY	1	pc
18	119620-79260	HOLDER	1	pc
19	119620-79270	HOLDER, BRUSH	1	pc
20	119620-77480	BRUSH ASSY	2	pc
21	119620-79280	SPRING	2	pc
22	119620-79290	SCREW	1	pc



GENERATOR

YANMAR 4TNV88

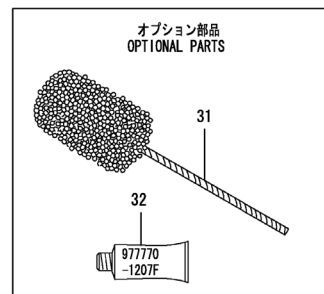
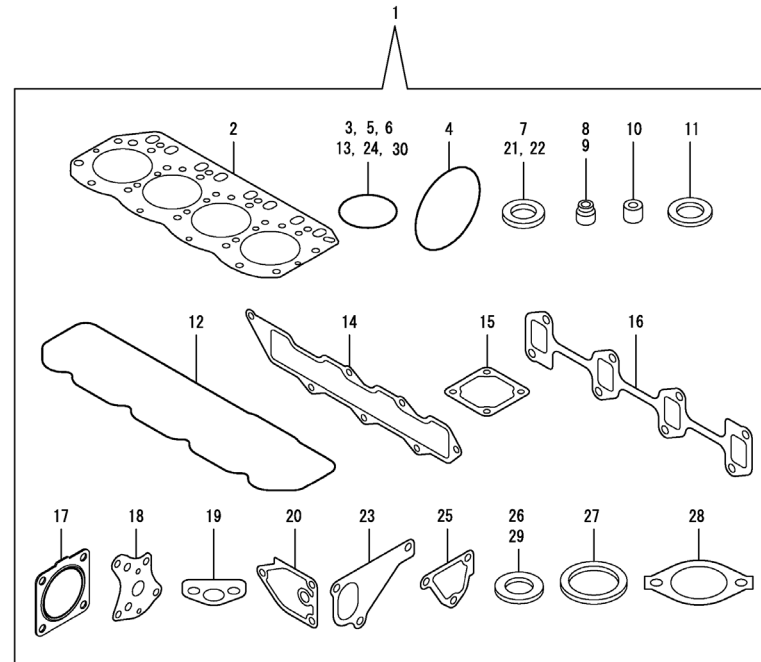
Item	Item no.	Description&Information	Pc.	Unit
23	119620-79300	SCREW	1	pc
24	119620-79310	BOLT	3	pc
25	119620-79320	SCREW W/WASHER	2	pc
26	119620-79330	BOLT	2	pc
27	119620-79340	INSULATION BUSH	1	pc
28	119620-79350	NUT	2	pc
29	119620-77490	COLLAR	1	pc
30	119740-77250	BOLT, M10X76	1	pc
31	26306-100002	NUT, M10	1	pc
32	119940-77270	SPACER, GENERATOR	1	pc
33	129972-77341	BOLT, ADJUSTER L=50	1	pc
34	119802-77200	RELAY, SAFETY	1	pc
35	119650-77910	RELAY ASSY, GLOW	2	pc
38	119643-66900	DIODE	1	pc
39	129211-77920	TIMER	1	pc
40	26106-080452	BOLT, M8X 45 PLATED	1	pc
41	129457-77511	CONNECTOR	1	pc
42	128300-77920	TIMER	1	pc



GASKET SET

YANMAR 4TNV88

Item	Item no.	Description&Information	Pc.	Unit
1	729602-92760	GASKET SET	1	pc
2	129407-01340	GASKET, HEAD	1	pc
3	119609-32040	O-RING, P16	2	pc
4	121850-51960	O-RING	1	pc
5	24311-000320	O-RING, 1AP32.0	2	pc
6	24341-000240	O-RING, 1AS24.0	1	pc
7	22190-220002	WASHER, SEAL 22	1	pc
8	121400-11340	SEAL, VALVE STEM	4	pc
9	124460-11340	SEAL, VALVE STEM	4	pc
10	119802-11870	PROTECTOR, NOZZLE	4	pc
11	119625-11880	SEAT, NOZZLE	4	pc
12	129601-11310	GASKET, BONNET	1	pc
13	24311-000120	O-RING, 1AP12.0	2	pc
14	129407-12110	GASKET, MANIFOLD	1	pc
15	129150-77511	GASKET	1	pc
16	129550-13110	GASKET	1	pc
17	129930-13201	GASKET, SILENCER	1	pc
18	129150-32020	GASKET, PUMP	1	pc
19	129150-35042	GASKET	1	pc
20	129150-35111	GASKET	1	pc
21	22190-080002	WASHER, SEAL 6	7	pc
22	22190-100002	WASHER, SEAL 10	2	pc

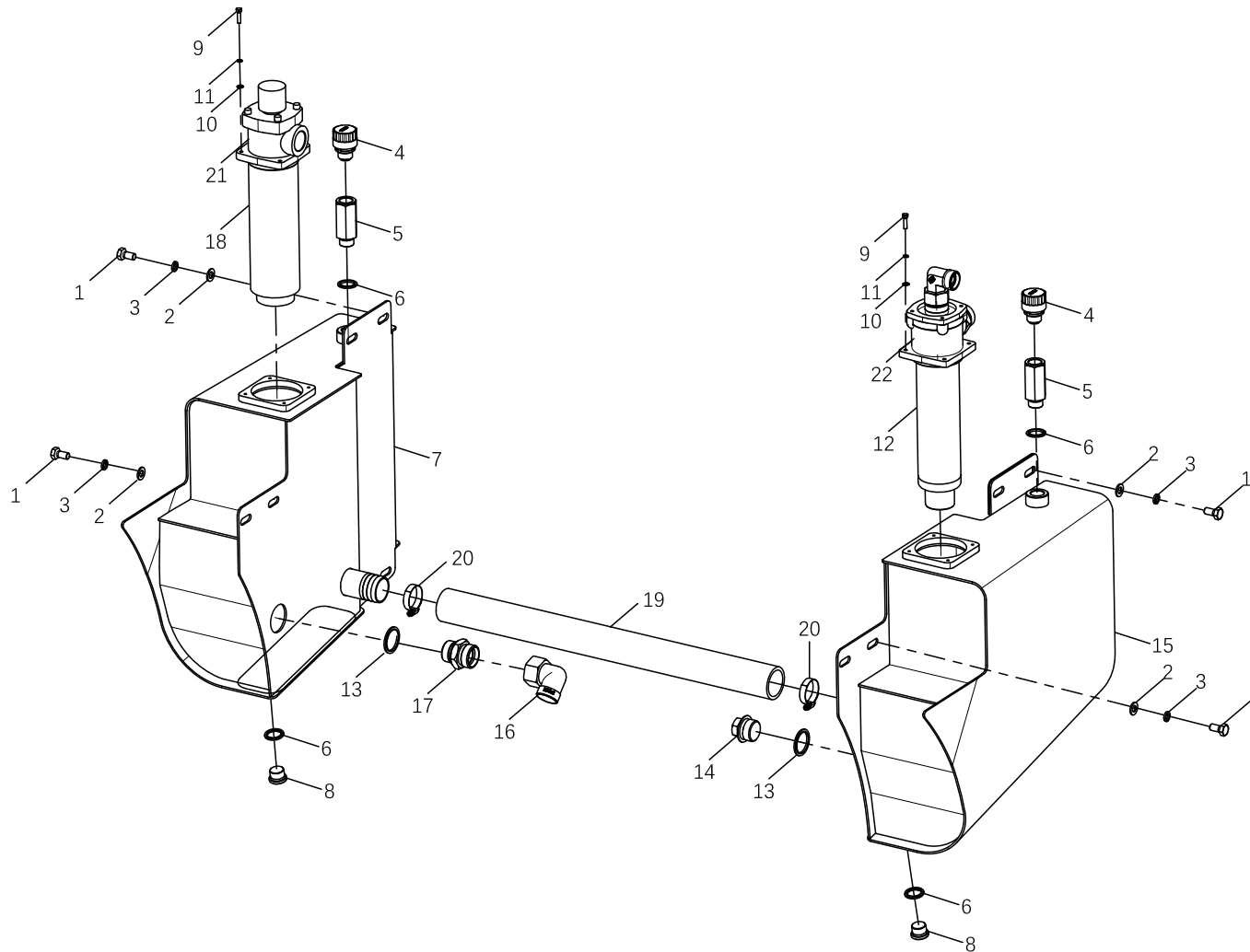


GASKET SET

YANMAR 4TNV88

Item	Item no.	Description&Information	Pc.	Unit
23	129486-42021	GASKET, WATER PUMP	1	pc
24	129486-42140	O-RING, G30	1	pc
25	124395-49840	GASKET	1	pc
26	23414-080000	GASKET, 8X1.0	1	pc
27	129150-49811	GASKET, THERMOSTAT	1	pc
28	129795-49551	GASKET	1	pc
29	124465-44950	GASKET, 16	2	pc
30	24311-240100	O-RING, 1AP10A	1	pc
31	129400-92430	HONE	1	pc
32	977770-1207F	GASKET.LIQUID	1	pc

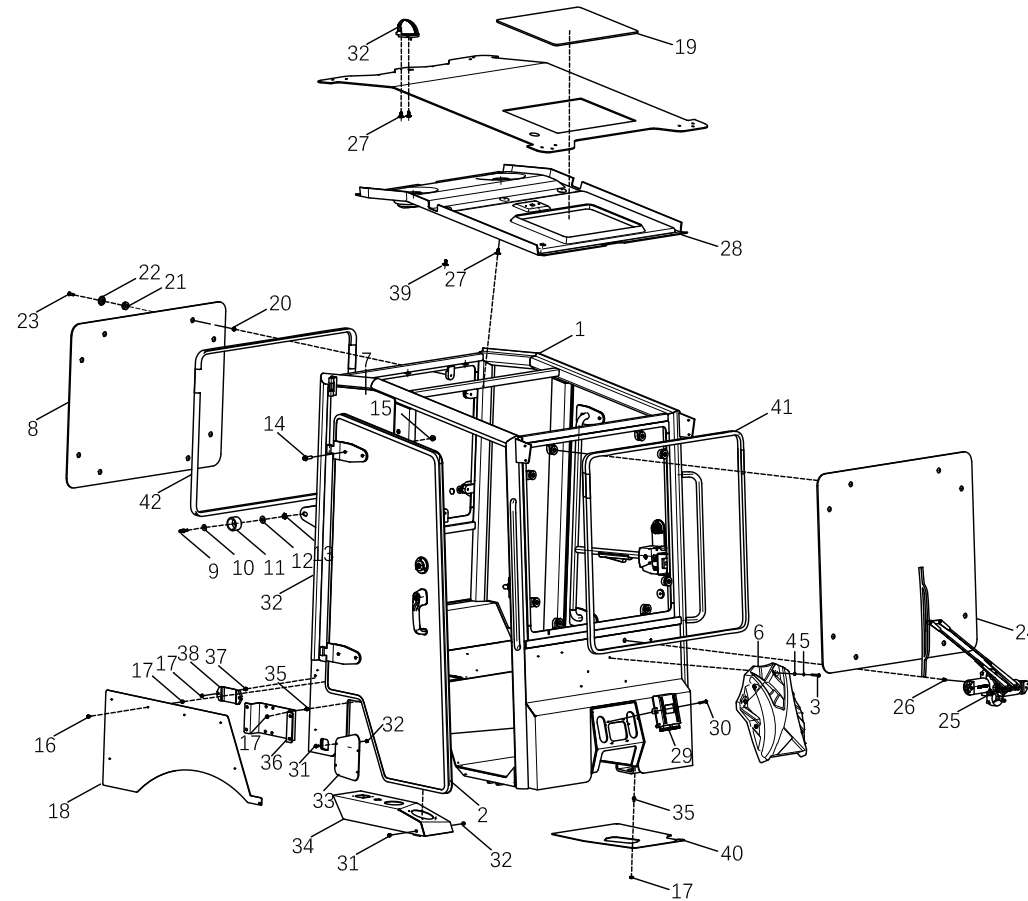
Hydraulic filtration system and fuel tank



Hydraulic filtration system and fuel tank

Item	Item no.	Description&Information	Pc.	Unit
1	GB/T 5781-2016	Hexagon head bolts fully threaded M10×20	12	pc
2	GB/T 95-2002	Flat Washers 10	12	pc
3	GB/T 93-1987	Standard elastic washer 10	12	pc
4		air filterL 1_0406-87	2	pc
5		Respirator transition connecting tube	2	pc
6	JB982-77	Combined sealing gasket M33	4	pc
7	HG260.58.012	Rear frame fuel tank welding right	1	pc
8	JB/ZQ 4444-1997	Hexagon socket plug M33×2	2	pc
9	GT/T 5781-2016	Hexagon head bolts fully threaded M5×20	8	pc
10	GT/T 95-2002	Flat Washers 5	8	pc
11	GB / T 93-1987	Standard elastic washer 5	8	pc
12	HG180.58.020	Return oil filter assembly	1	pc
13	JB982-77	Combined sealing gasket M33	2	pc
14	JB/T 1000-1977	External hexagonal screw plug 33×2	2	pc
15	HG260.58.011	Rear frame fuel tank welded left	1	pc
16		M36×2 Right angle transition joint	1	pc
17	GB / T3733.1-83	Card sleeve end straight pipe connector M33-M36 pair of wires	1	pc
18	RF.110*10L-Y	Return oil filter	1	pc
19		Inner diameter of hydraulic tank connecting hoseø42	1	pc
20		Double wire clampø42	2	pc
21		Hydraulic oil filter	1	pc
22		Hydraulic filter assembly	1	pc

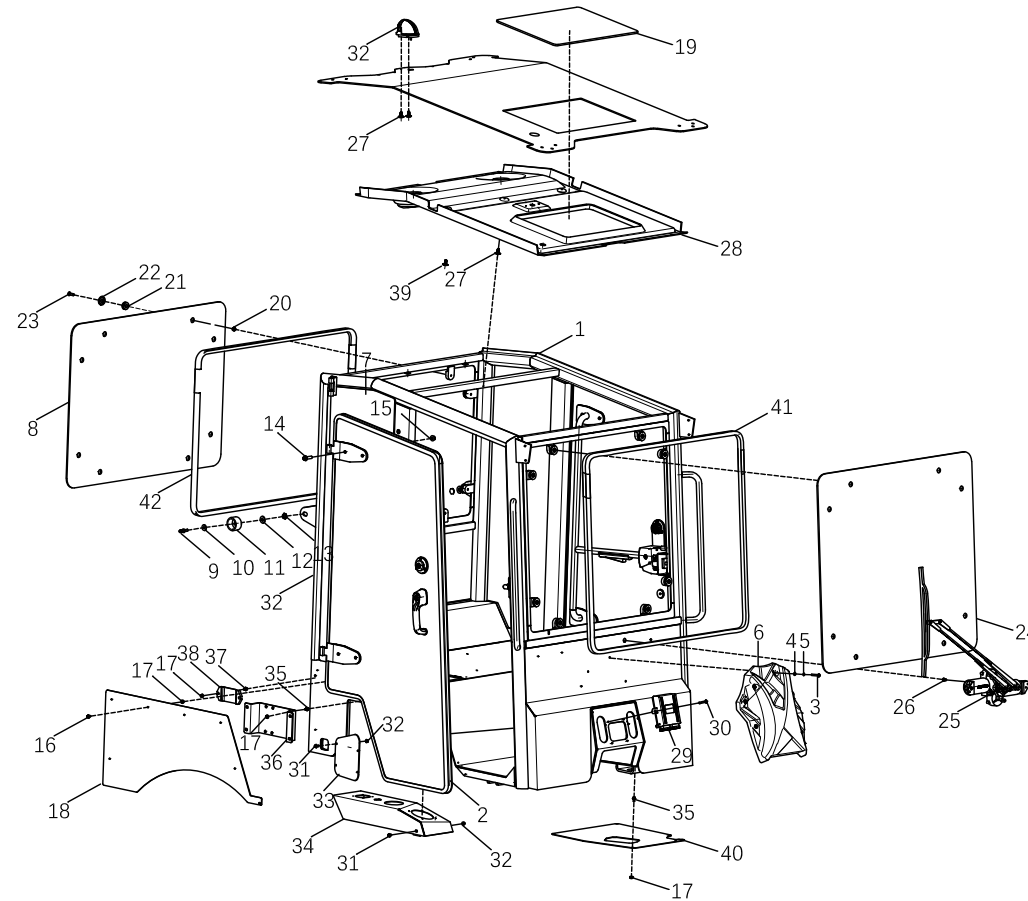
Cab assembly



Cab assembly

Item	Item no.	Description&Information	Pc.	Unit
1	HG260.45B.011	Cab frame welding	1	pc
2	HG260.45B.027/028	Cab door left (right)	2	pc
3	GB_T 818-2016	[Cross recessed pan head screw M6×20]	6	pc
4		Flat washer D12.7H1.5	6	pc
5		Spring washersD10	6	pc
6	HG260.45B.202	Controller exterior cover blister	1	pc
7	HG260.45B.181	HG260 Side glass	2	pc
8	HG260.45B.181	HG260Rear glass	1	pc
9		Lock tongue	2	pc
10		Flat pad at the end of the bolt	2	pc
11		Lock sleeve	2	pc
12		Lock sleeve tail rubber pad	2	pc
13		Lock bolt tailstock	2	pc
14	GB/T16674.2-2004	Hexagonal flange bolt M10×21	4	pc
15	GB/T 17880.5-1999	[Flat head hexagonal rivet nutM10×21]	4	pc
16	GB/T16674.2-2004	Hexagonal Flange BoltsM8×12	14	pc
17	GB 1337 - 1988	Self-locking nutsM8	32	pc
18	HG260.45B.171	Cab installation outer panel	2	pc
19	HG260.45.203	Ceiling acrylic glass	1	pc
20	GB / T 889.1-2015	[Type 1 Non-metallic Insert Hexagon Lock Nut M8]_M8_	16	pc
21		Cab fixed window glass rubber pad	16	pc
22		Fixed glass plastic cover	16	pc

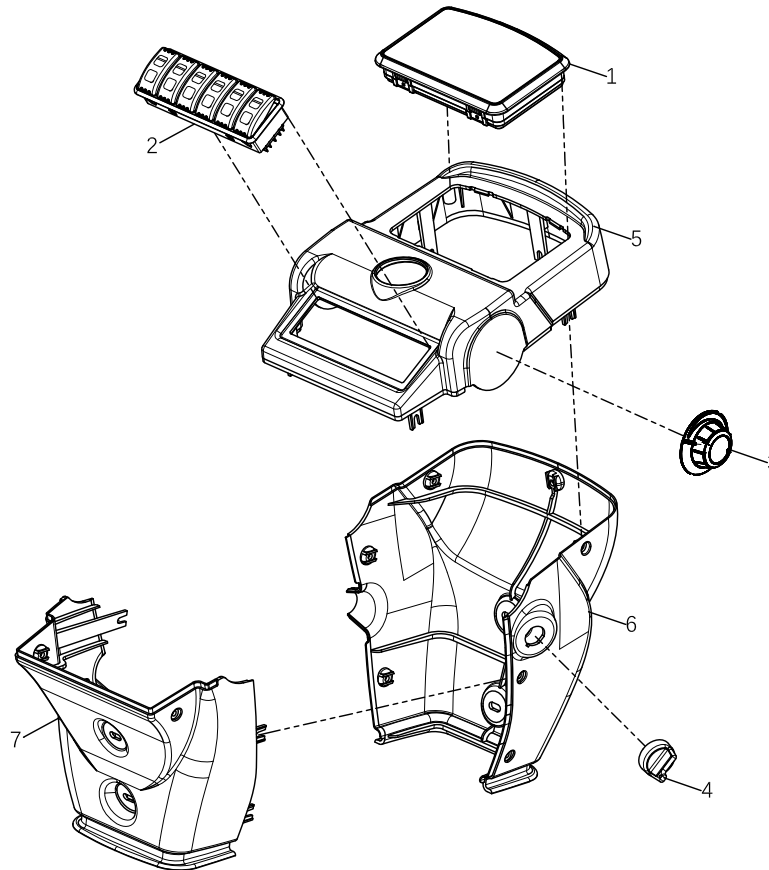
Cab assembly



Cab assembly

Item	Item no.	Description&Information	Pc.	Unit
23	GB / T 819.1-2016	[Cross recessed countersunk head screw 4.8 grade M8×25]	16	pc
24	HG260.45B.183	HG260Windshield	1	pc
25		Yueqing Yandangshan_ZD1431__wiper assembly	1	pc
26	GB / T 70.2-2015_	Hexagon socket head screw M8×12	1	pc
27		Ceiling plastic rivets	8	pc
28	HG260.45.201	Cab roof blister parts	1	pc
29		Control valve	1	pc
30	GB/T16674.2-2004	Hexagonal Flange Bolts M6×30	2	pc
31	GB/T16674.2-2004	Hexagonal Flange Bolts M6×12	2	pc
32	GB 1337 - 1988	Self-locking nuts M6	12	pc
33	HG180.47.151	Steering column mounting bracket guard plate	2	pc
34	HG260.45.024	Handrail box welding	1	pc
35	GB/T16674.2-2004	Hexagonal Flange BoltsM8×20	16	pc
36	HG260.45B.172	260 Multi-way valve fixing plate	1	pc
37	GB/T16674.2-2004	Hexagonal Flange Bolts M8×30	2	pc
38		Electromagnetic switch	1	pc
39		rivet	2	pc
40	HG260.45B.175	Non-slip foot pedal-1	2	pc
41		Front windshield sealing strip	1	pc
42		Rear windshield	1	pc
43		Rear windshield sealing strip	1	pc

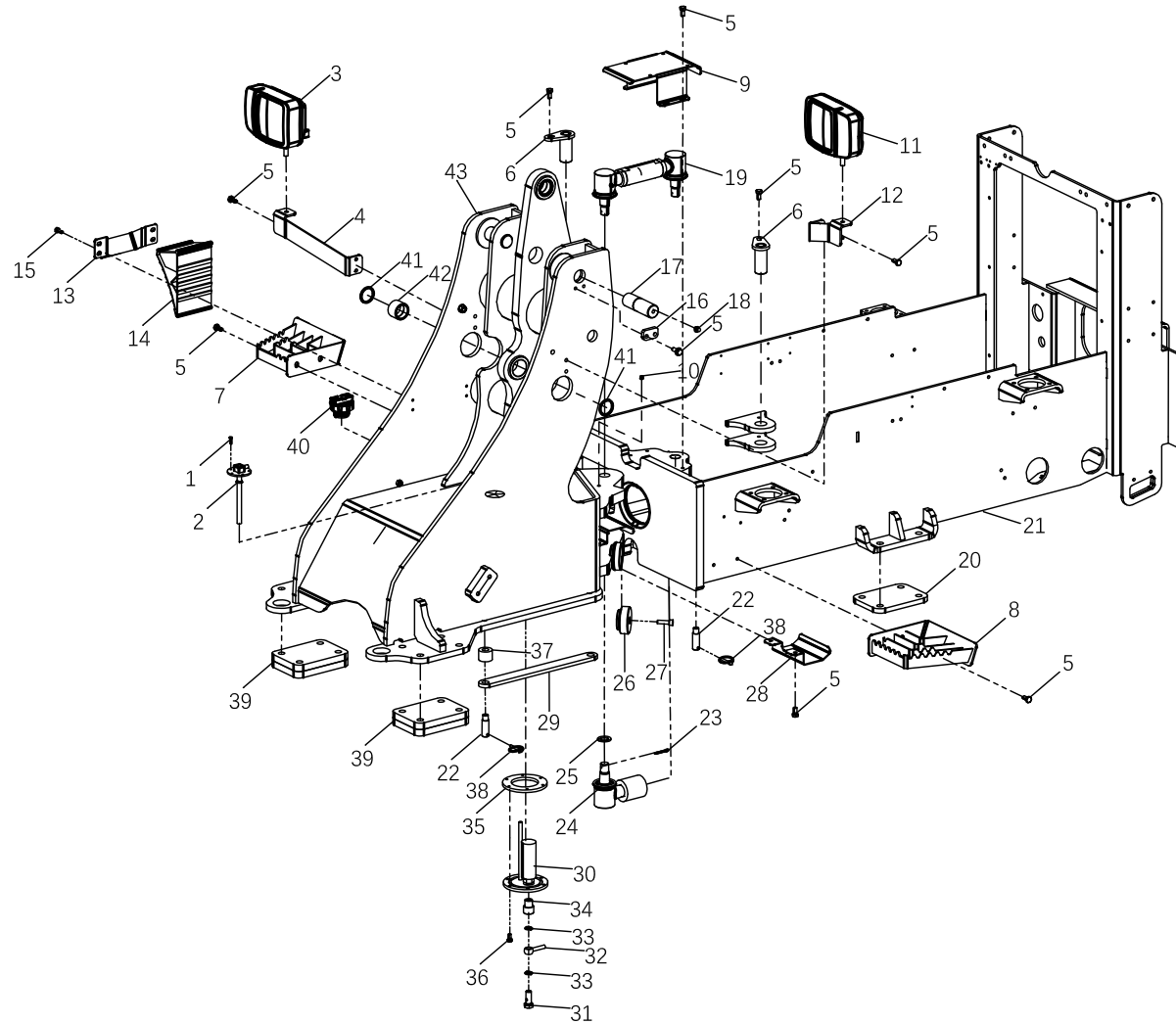
Steering column cover



Steering column cover

Item	Item no.	Description&Information	Pc.	Unit
1	HG190.96.171	Meter	1	pc
2	HG190.96.145	Combination Switch	1	pc
3	HG190.96.153	Knob hand throttle	1	pc
4	HG190.96.144	Ignition Switch	1	pc
5	HG180.47.125	On steering column cover	1	pc
6	HG180.47.123	Steering column cover front	1	pc
7	HG180.47.124	After steering column cover	1	pc

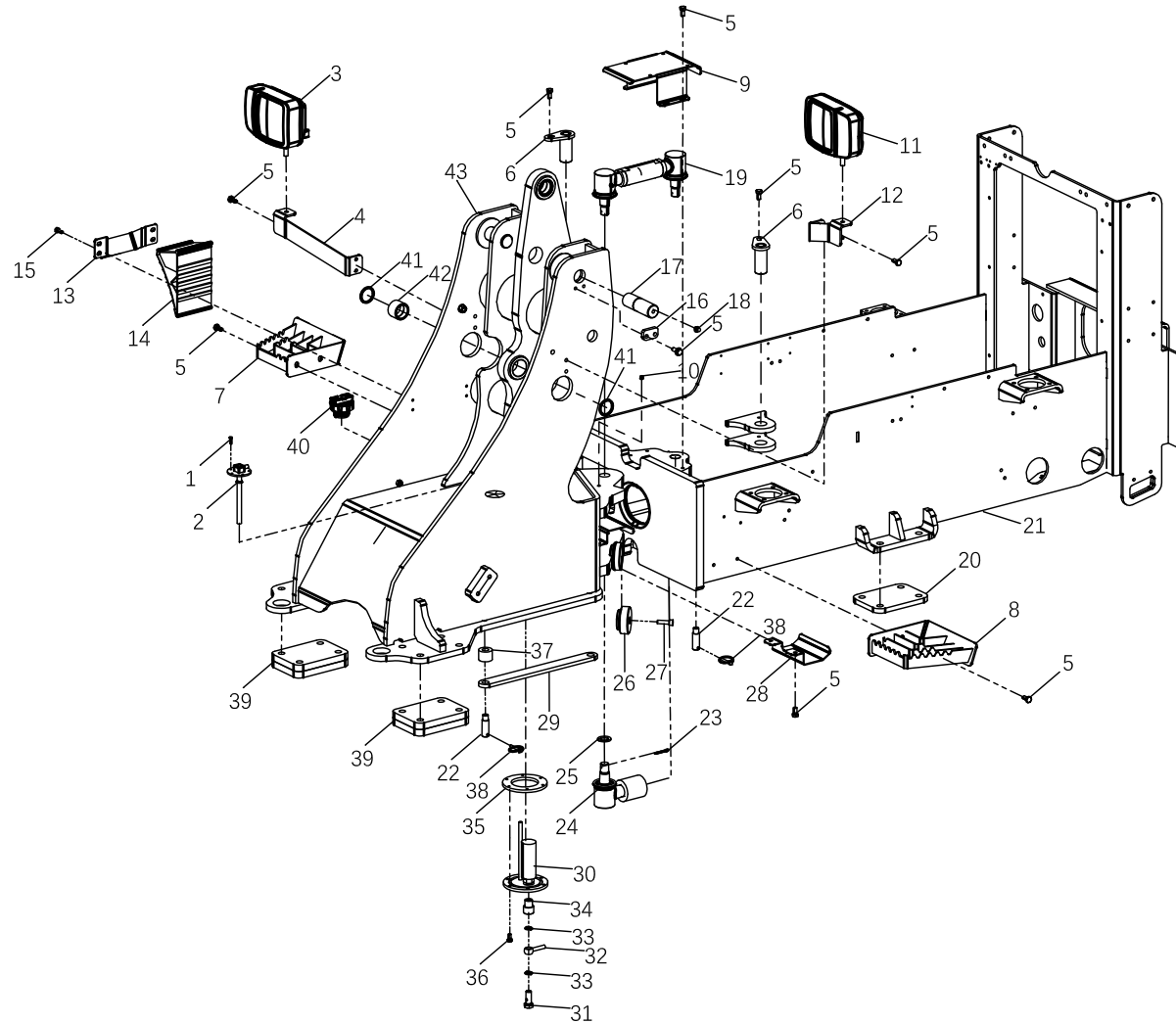
Frame



Frame

Item	Item no.	Description&Information	Pc.	Unit
1	QC /T 340 - 1999	Hexagonal flange face toothed bolts M5×16	5	pc
2	NT7901-L165-SL01	Simple oil level sensor	1	pc
3		Headlight (12V)-right	1	pc
4	HG220.47.017	Headlight bracket right	1	pc
5	QC /T 340 - 1999	Hexagonal flange face toothed bolts M10×20	22	pc
6	HG260.30.017	Steering cylinder connecting pin assembly	2	pc
7	HG260.30.014	Right ladder welding parts	1	pc
8	HG260.30.013	Left car ladder welding parts	1	pc
9	HG260.30.155	Hydraulic oil pipe bracket	1	pc
10	GB/T93-1987	plastic hole plug φ9	2	pc
11		Headlight (12V)-left	1	pc
12	HG220.47.016	Headlight bracket left	1	pc
13	HG180.30.224	Stop block bracket	1	pc
14	HG180.30.233	stop block	1	pc
15	QC /T 340 - 1999	Hexagonal flange face toothed bolts M8×20	4	pc
16	HG180.30.226	Pin lock plate	2	pc
17	HG180.30.225	Lift arm connecting pin	2	pc
18	JB/T7940.2-1995	Joint type pressure oil cup M10×1	1	pc
19	HG180.30.015	Connecting rod assembly	1	pc
20	HG260.30.152	Rear axle pad	2	pc
21	HG260.30.012	Rear frame welding	1	pc
22	HG180.30.196	locking column	3	pc

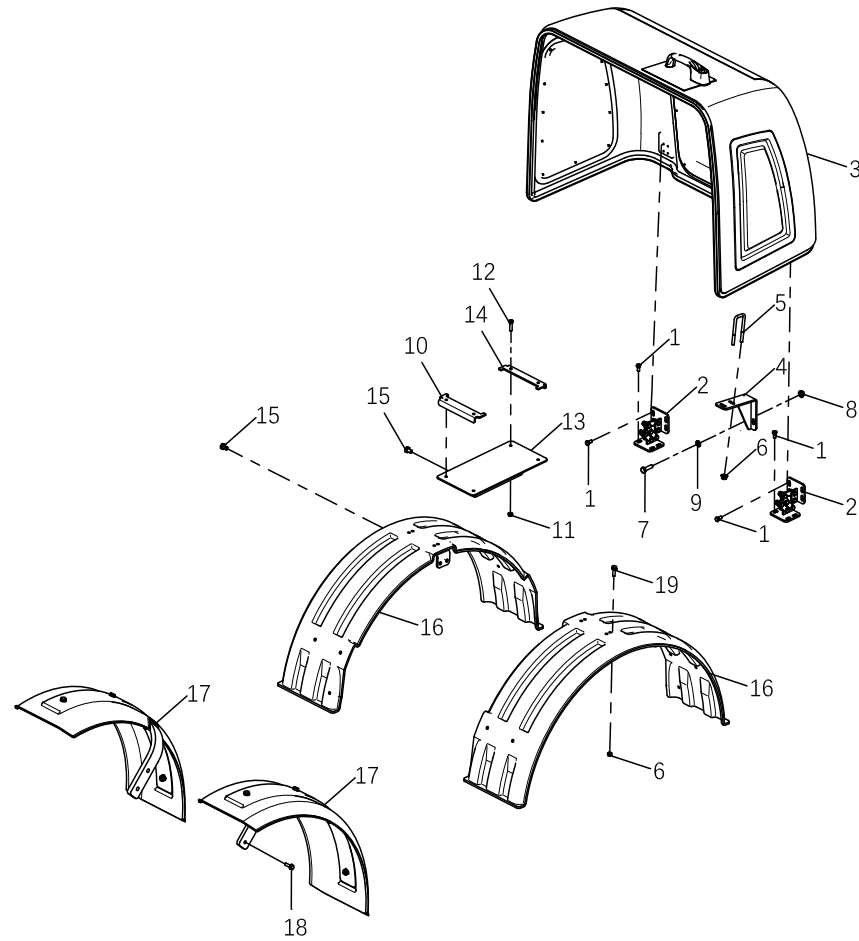
Frame



Frame

Item	Item no.	Description&Information	Pc.	Unit
23	GB/T 91-2000	[cotter pin10×36]	2	pc
24	HG180.30.016	Steering head assembly	1	pc
25	NL27SPSS	Self-locking washer	6	pc
26	HG280.30.152	Limit rubber block	2	pc
27	GB/T70.1-2008	Hexagon socket head bolts M10×30	2	pc
28	HG260.30.151	Attach the front frame pin guard	2	pc
29	HG260.30.119	Locking plate	1	pc
30	WU-40-M22X1.5	Diesel oil suction filter element	1	pc
31	GB370.3-83	Jacket type hydraulic hinged hexagon socket bolt M16×1.5	1	pc
32		10-rod 16-hole high-pressure ball joint	1	pc
33	JB982-77	Combined sealing gasket_16_	2	pc
34	HG220.30.012	Oil suction pipe welding	1	pc
35	GB/T3452.1-2005	O-type rubber seal 85×5.3	1	pc
36	QC /T 340 - 1999	Hexagonal flange face toothed bolts M8×16	6	pc
37	HG180.30.234	Locking shock absorbing block	3	pc
38	DIN11023	O type pull ring pin	3	pc
39	HG260.30.123	Front axle pad	4	pc
40	CP32-A50	Korean fuel tank cap with lock	1	pc
41	HG180.30.206	Skeleton oil seal 40*50*4	4	pc
42	HG180.30.207	Steel sleeve	2	pc
43	HG220.30.011	HG220 Front frame welding	1	pc

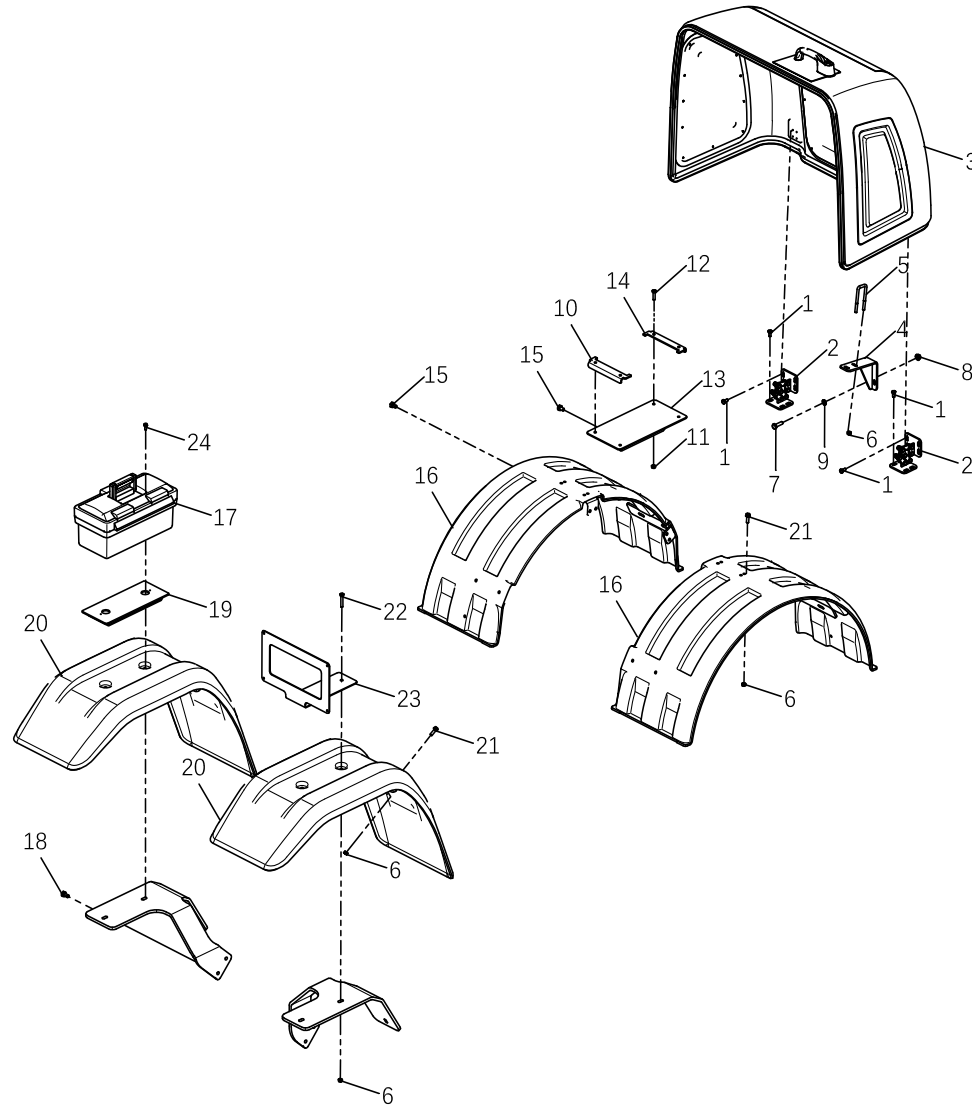
Hood and fenders (narrow)



Hood and fenders (narrow)

Item	Item no.	Description&Information	Pc.	Unit
1	QC/T340-1999	Hexagonal flange face toothed bolts M8×16	16	pc
2	HG260.47.011	Rear cover hinge assembly	2	pc
3	HG260.47.012	260 Rear hood assembly	1	pc
4	HG260.47.013	Rear hood locking column fixing plate	1	pc
5	DS510-14-2	Rear hood U-shaped bolt	1	pc
6	GB/T41-2000	Hexagonal flange face toothed bolts M8	16	pc
7	GB/T5781-2016	Hexagon head bolts M10*35	2	pc
8	QC/T864-2011	Hexagonal flange toothed nut M10	2	pc
9	GB/T 95-2002	Flat Washers 10	2	pc
10	HG260.47.119	Battery fixing bent plate1	1	pc
11	GB/T17880.5-1999	Flat head hexagonal rivet nut M8	4	pc
12	QC/T340-1999	Hexagonal flange face toothed bolts M8*30	4	pc
13	HG260.47.014	Battery installation support welding	1	pc
14	HG260.47.120	Battery fixing bent plate 2	1	pc
15	QC/T340-1999	Hexagonal flange face toothed bolts M10*16	14	pc
16	HG280.47.153	Rear frame fender	2	pc
17	HG280.47.015	Front frame fender assembly	2	pc
18	QC/T340-1999	Hexagonal flange face toothed bolts M10*20	4	pc
19	QC/T340-1999	Hexagonal flange face toothed bolts M8*25	12	pc

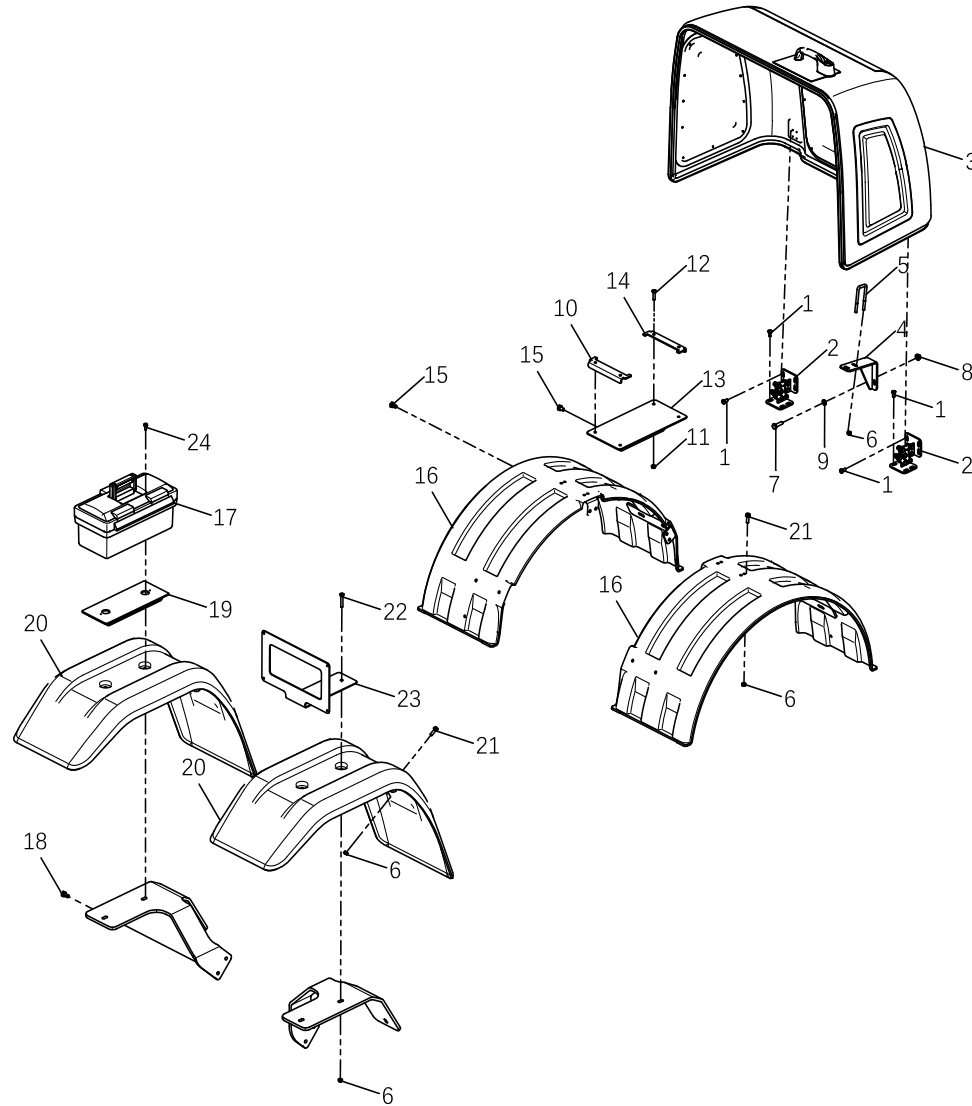
Hood and fender (width)



Hood and fender (width)

Item	Item no.	Description&Information	Pc.	Unit
1	QC/T340-1999	Hexagonal flange face toothed bolts M8×16	16	pc
2	HG260.47.011	Rear cover hinge assembly	2	pc
3	HG260.47.012	260 rear hood assembly	1	pc
4	HG260.47.013	Rear hood locking column fixing plate	1	pc
5	DS510-14-2	Rear hood U-shaped bolt	1	pc
6	GB/T41-2000	Hexagonal flange toothed nut M8	16	pc
7	GB/T5781-2016	Hexagon head bolts M10*35	2	pc
8	QC/T864-2011	Hexagonal flange toothed nut M10	2	pc
9	GB/T 95-2002	Flat Washers 10	2	pc
10	HG260.47.119	Battery fixing bent plate 1	1	pc
11	GB/T17880.5-1999	Flat head hexagonal rivet nut M8	4	pc
12	QC/T340-1999	Hexagonal flange face toothed bolts M8*30	4	pc
13	HG260.47.014	Battery installation support welding	1	pc
14	HG260.47.120	Battery fixing bent plate 2	1	pc
15	QC/T340-1999	Hexagonal flange face toothed bolts M10*16	14	pc
16	HG280.47.181	Rear frame mudguard (widened version)	2	pc
17		toolbox	1	pc
18	QC/T340-1999	Hexagonal flange face toothed bolts M10*20	4	pc
19	HG280.47.028	tool box holder	1	pc
20	HG280.47.182	Front frame fender (widened version)	2	pc
21	QC/T340-1999	Hexagonal flange face toothed bolts M8*25	16	pc
22	QC/T340-1999	Hexagonal flange face toothed bolts M8*45	4	pc

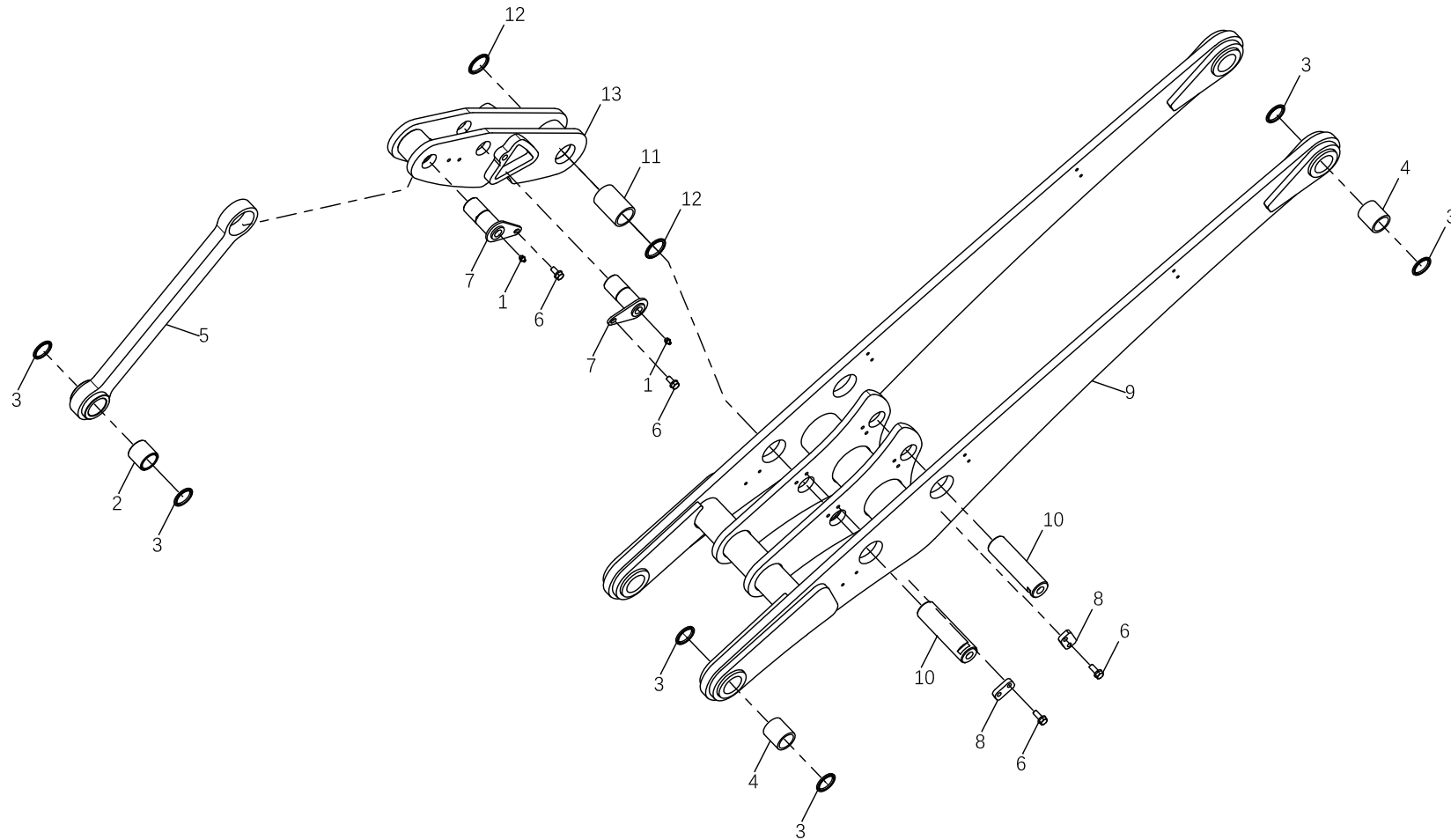
Hood and fender (width)



Hood and fender (width)

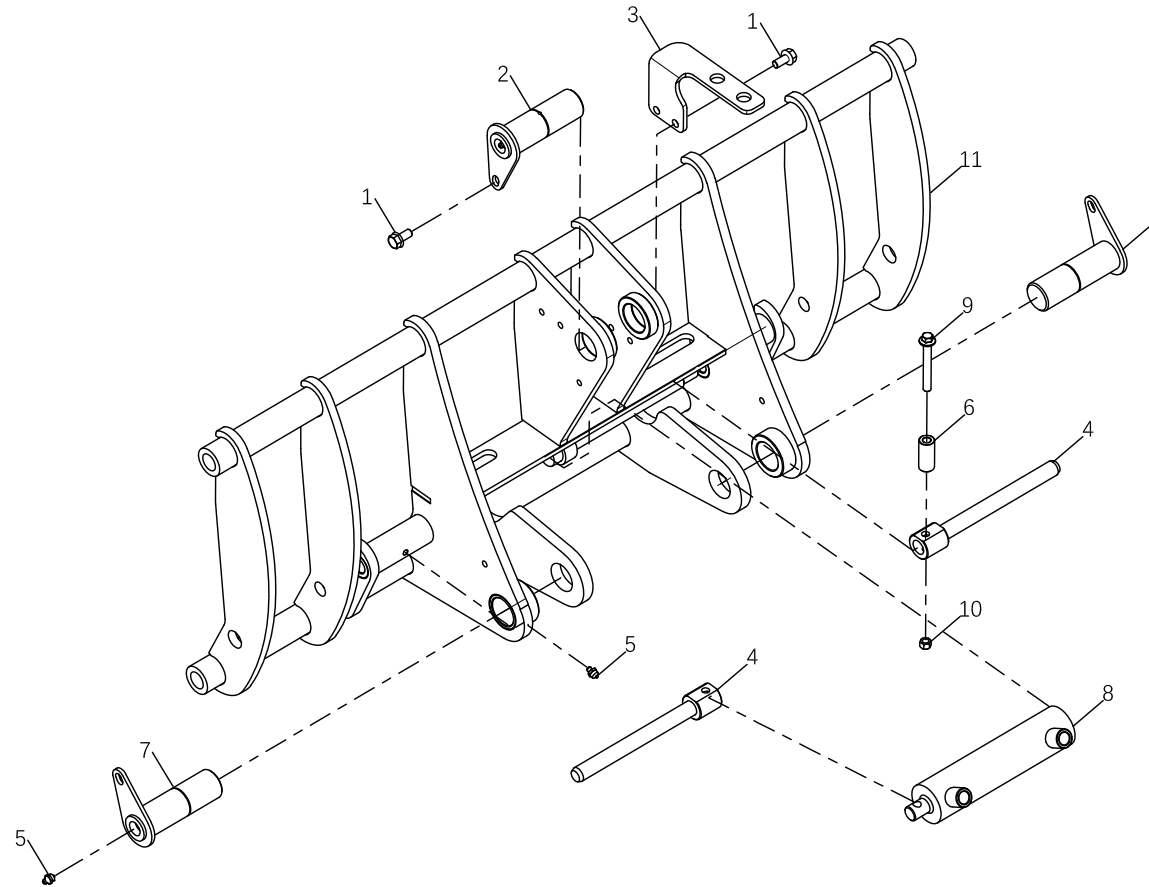
Item	Item no.	Description&Information	Pc.	Unit
23	HG280.47185	license plate bracket	1	pc
24	QC/T340-1999	Hexagonal flange face toothed bolts M6x16	2	pc

Loading system/armsystem



Loading system/armsystem

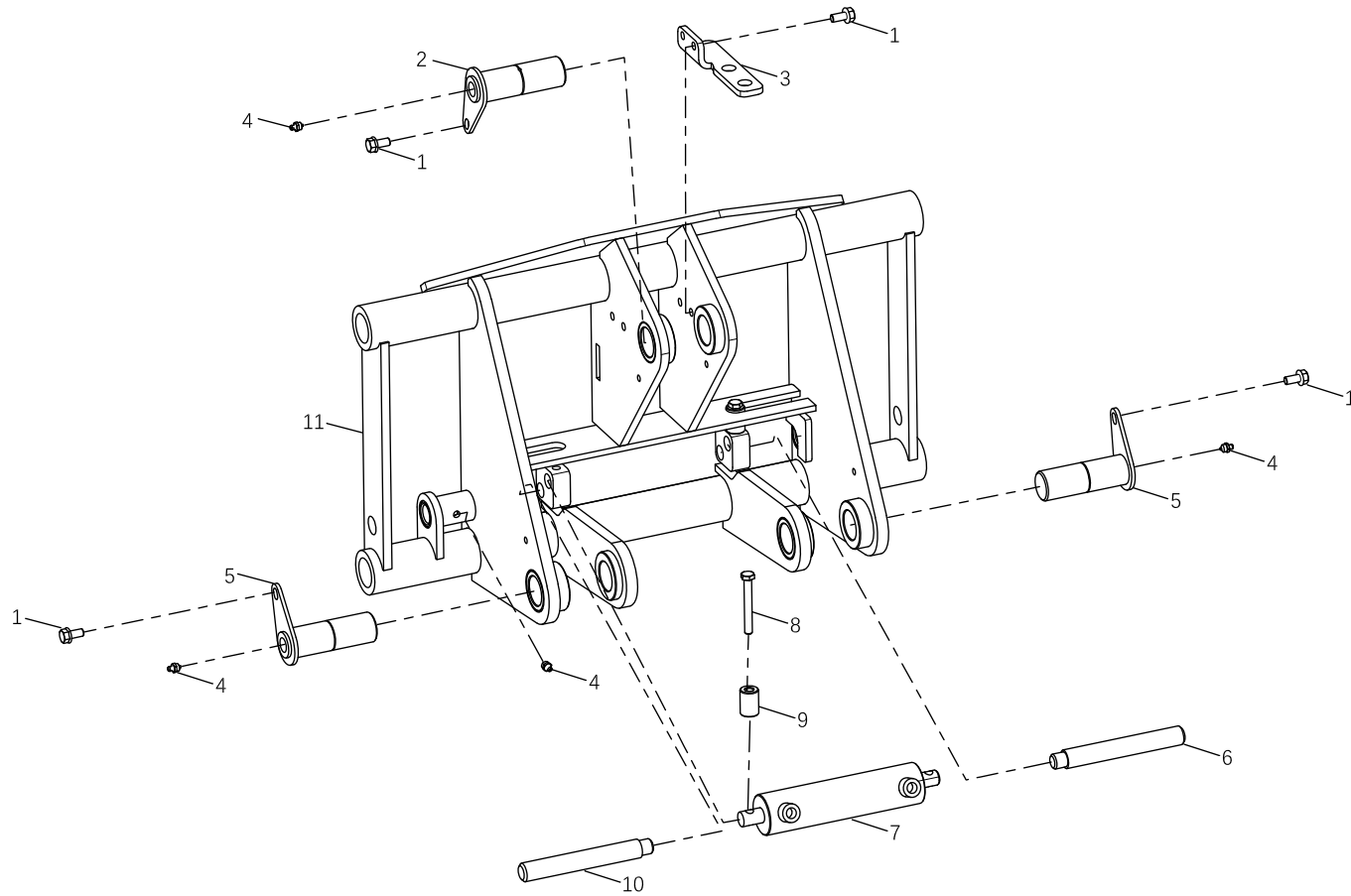
Item	Item no.	Description&Information	Pc.	Unit
1	JB/T7940.1-1995	Straight-through pressure oil cup M10*1	4	pc
2	HG180.56.118	Steel bushing $\phi 40*\phi 50*42$	2	pc
3	HG180.30.206	Skeleton oil seal 40*50*4	12	pc
4	HG180.56.115	Steel bushing $\phi 40*\phi 50*52$	4	pc
5	HG180.56.013	Rocker arm tie rod welding	1	pc
6	QC /T 340 - 1999	Hexagonal flange face toothed bolts M10x20	6	pc
7	HG180.56.014	Cylinder connecting pin	2	pc
8	HG180.56.116	Locking plate	2	pc
9	HG180.56.011	Boom welding	1	pc
10	HG180.56.117	Lock plate pin	2	pc
11	HG180.56.120	Steel bushing $\phi 45*\phi 55*87$	1	pc
12	HG180.56.119	Skeleton oil seal 45*55*4	2	pc
13	HG180.56.012	Rocker arm welding	1	pc



Quickhitch plate

European style quick change

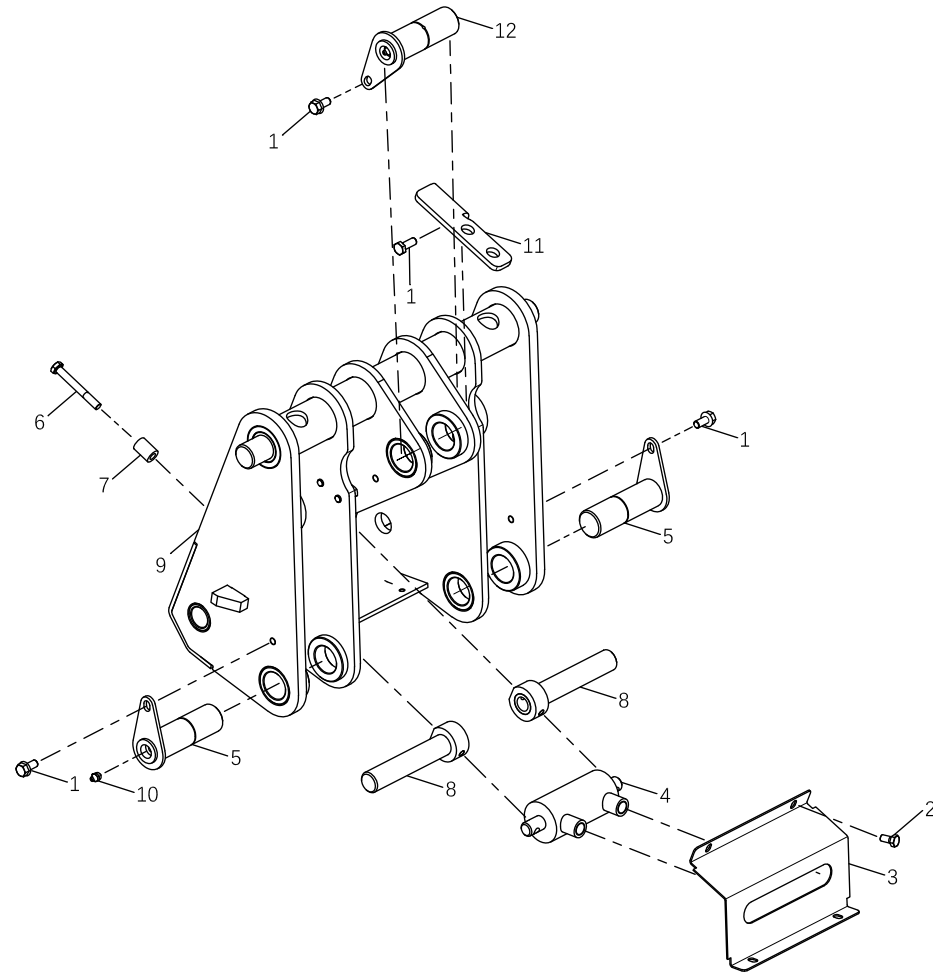
Item	Item no.	Description&Information	Pc.	Unit
1	QC /T 340 - 1999	Hexagonal flange face toothed bolts M10×20	5	pc
2	HG180.77.013	Quick change connecting rod pin assembly	1	pc
3	H180.95.131	Quick connector fixing bracket	1	pc
4	H180.95.223	Quick change latch	2	pc
5	JB/T7940.1-1995	Straight-through pressure oil cup M10*1	5	pc
6	H180.95.224	Quick change cylinder positioning pin	2	pc
7	HG180.77.012	Quick change boom pin assembly	2	pc
8	HG180.77.131	H180 European hydraulic quick change cylinder	1	pc
9	GB/T5783-2016	Hexagon head bolts M10×90	2	pc
10	GB / T6182-2016	Self-locking nuts M10	2	pc
11	H180.95.003	European hydraulic quick change	1	pc



Quickhitch plate

Swedish quick change

Item	Item no.	Description&Information	Pc.	Unit
1	QC /T 340 - 1999	Hexagonal flange face toothed bolts M10×20	5	pc
2	HG180.77.013	Quick change connecting rod pin assembly	1	pc
3	HG180.77A.125	Third way bracket	1	pc
4	JB/T7940.1-1995	Straight-through pressure oil cup M10*1	5	pc
5	HG180.77.012	Quick change boom pin assembly	2	pc
6	HG260.77D.013	Swedish quick change shift extension lever right	1	pc
7	HG260.77D.131	Swedish quick change cylinder	1	pc
8	GB/T5783-2016	Hexagon head bolts M10×80	2	pc
9	HG260.77D.134	Quick change limit sleeve	1	pc
10	HG260.77D.012	Swedish quick change shift extension lever left	1	pc
11	HG220.77D.011	220 Swedish quick change welding	1	pc

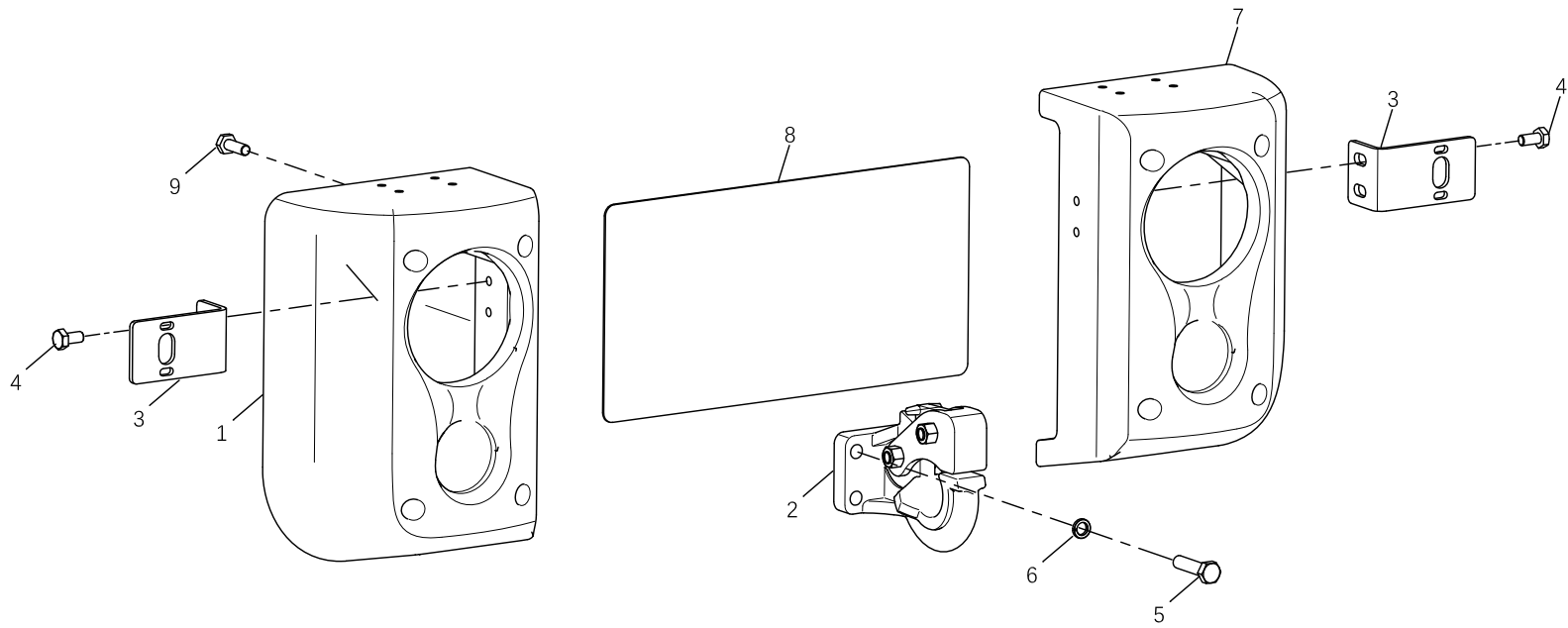


Quickhitch plate

Standard quick change

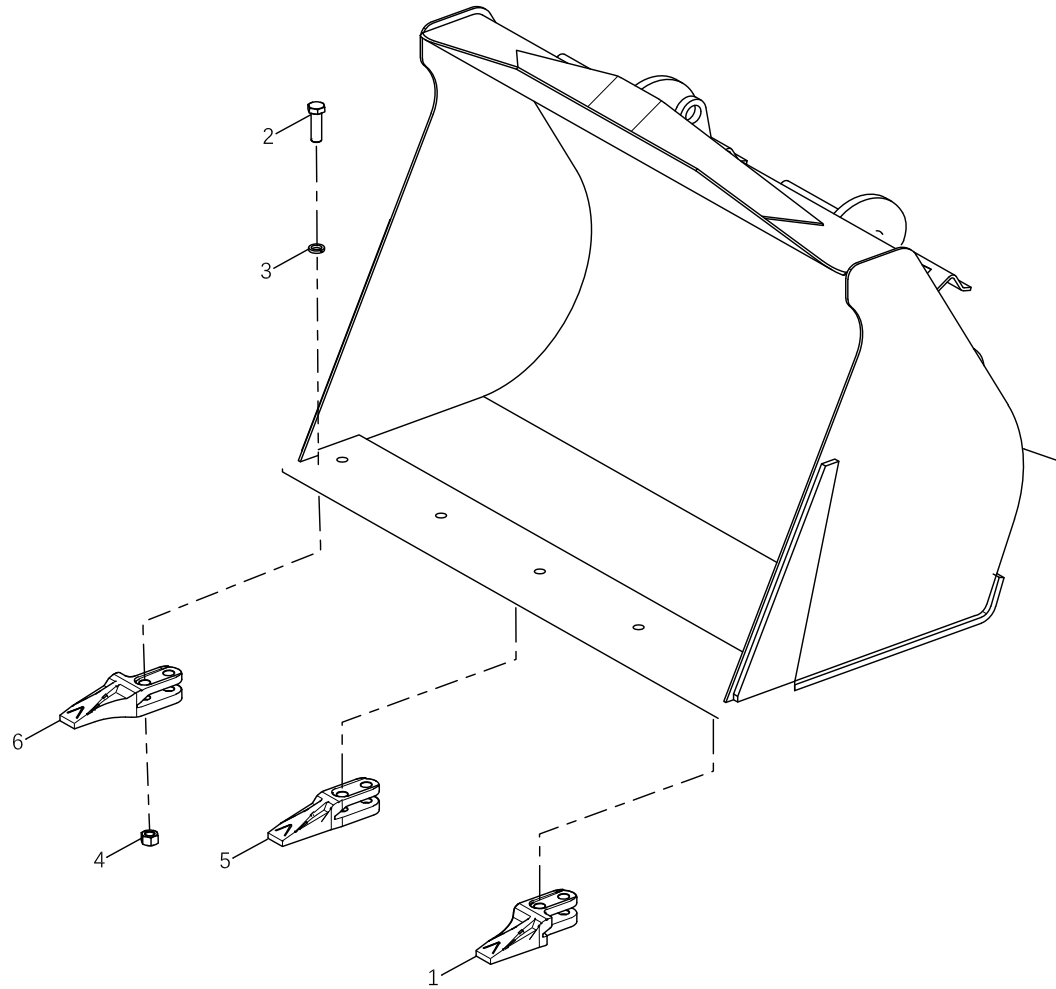
Item	Item no.	Description&Information	Pc.	Unit
1	QC /T 340 - 1999	Hexagonal flange face toothed bolts M10×20	5	pc
2	QC /T 340 - 1999	Hexagonal flange face toothed bolts M8×12	4	pc
3	HG180.77A.117	Quick change cover	1	pc
4	HG180.77A.117	Quick change locking cylinder-1	1	pc
5	HG180.77.012	Quick change boom pin assembly	2	pc
6	GB/T5783-2016	Hexagon head bolts M10×80	2	pc
7	HG180.77A.102	Quick change fixed short shaft	2	pc
8	HG180.77A.115	Quick change connecting shaft-1	1	pc
9	HG180.77A.011	Quick change welding	1	pc
10	JB/T7940.1-1995	Straight-through pressure oil cup M10*1	3	pc
11	HG180.77A.125	Third way bracket	1	pc
12	HG180.77.013	Quick change connecting rod pin assembly	1	pc

Counterweight and traction



Counterweight and traction

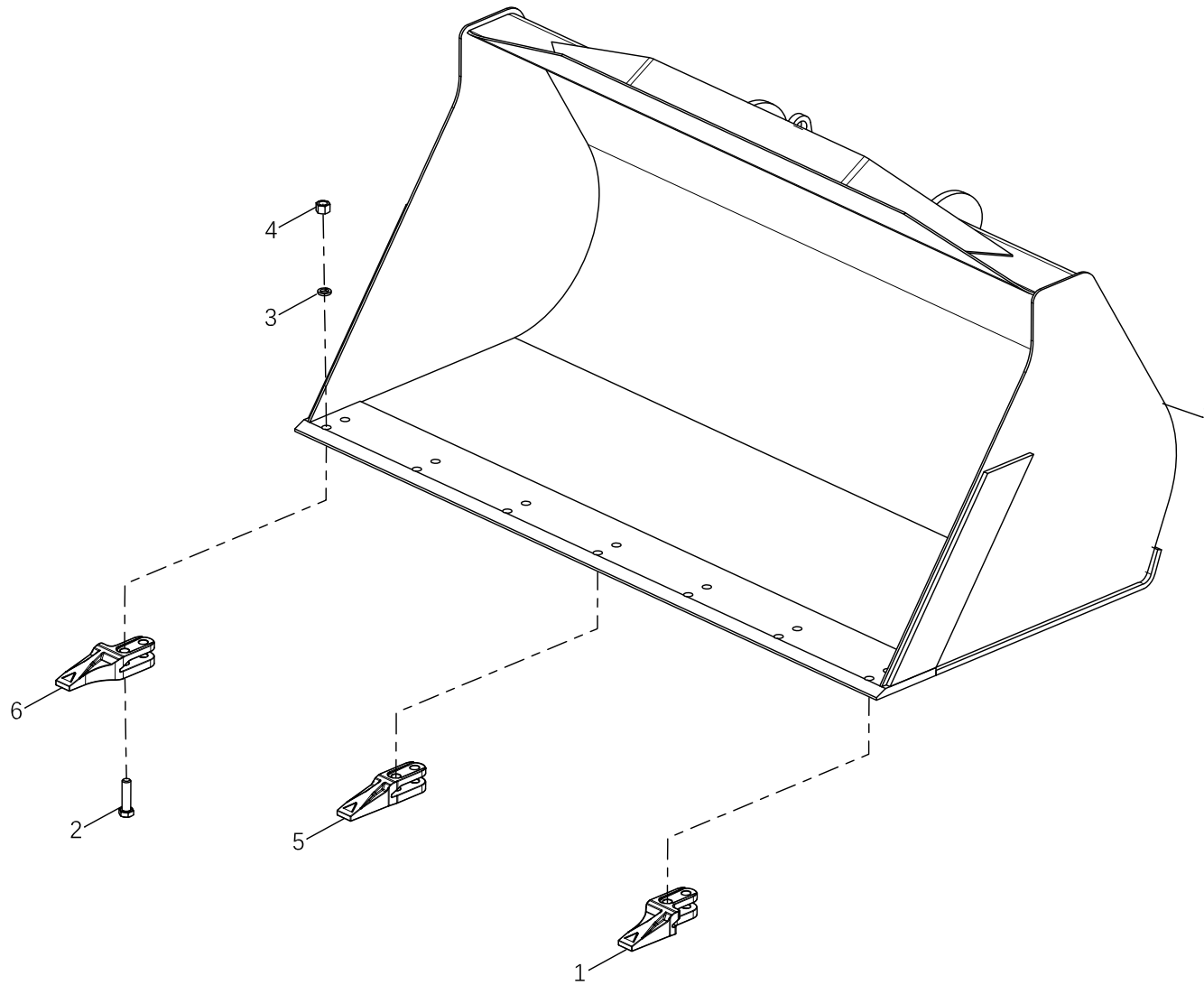
Item	Item no.	Description&Information	Pc.	Unit
1	HG220.30.70.101	HG220 rear counterweight left	1	pc
2	HG.180.74.104	Towing hook	1	pc
3	HG220.70.103	Rear light fixing plate	2	pc
4	QC /T 340 - 1999	Hexagonal flange face toothed bolts M10*20	4	pc
5	GB/T 5781-2016	Hexagon head bolts M12×1.25*50	4	pc
6	GB/T 93-1987	Standard elastic washer M12	4	pc
7	HG220.30.70.102	HG220 rear counterweight right	1	pc
8	HG220.30.70.105	Rear frame ventilation net	1	pc
9	QC /T 340 - 1999	Hexagonal flange face toothed bolts M10*30	8	pc



Bucket assembly

H220 standard bucket 1.2 meters 0.35 cubic meters

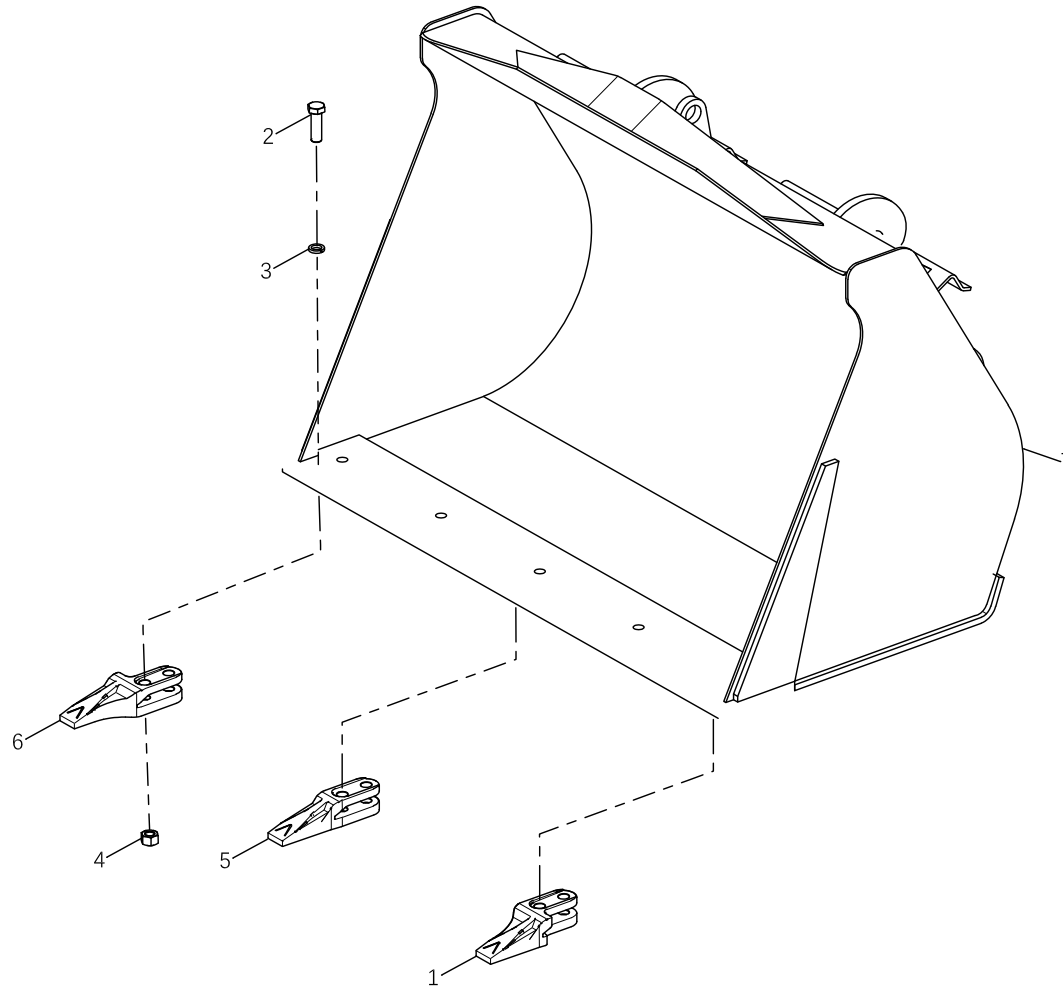
Item	Item no.	Description&Information	Pc.	Unit
1	HG180.91.114	Bucket left tooth	1	pc
2	GB/T5781-2016	Hexagon head bolts M16*60	10	pc
3	GB/T93-1987	Standard elastic washer 16	10	pc
4	GB/T6170-2015	Type 1 hexagonal nut M16	10	pc
5	HG180.91.115	bucket teeth	3	pc
6	HG180.91.116	Bucket right tooth	1	pc
7	HG220.91.011	HG220 Bucket welding	1	pc



Bucket assembly

H220 standard bucket 1.5 meters 0.43 square meters

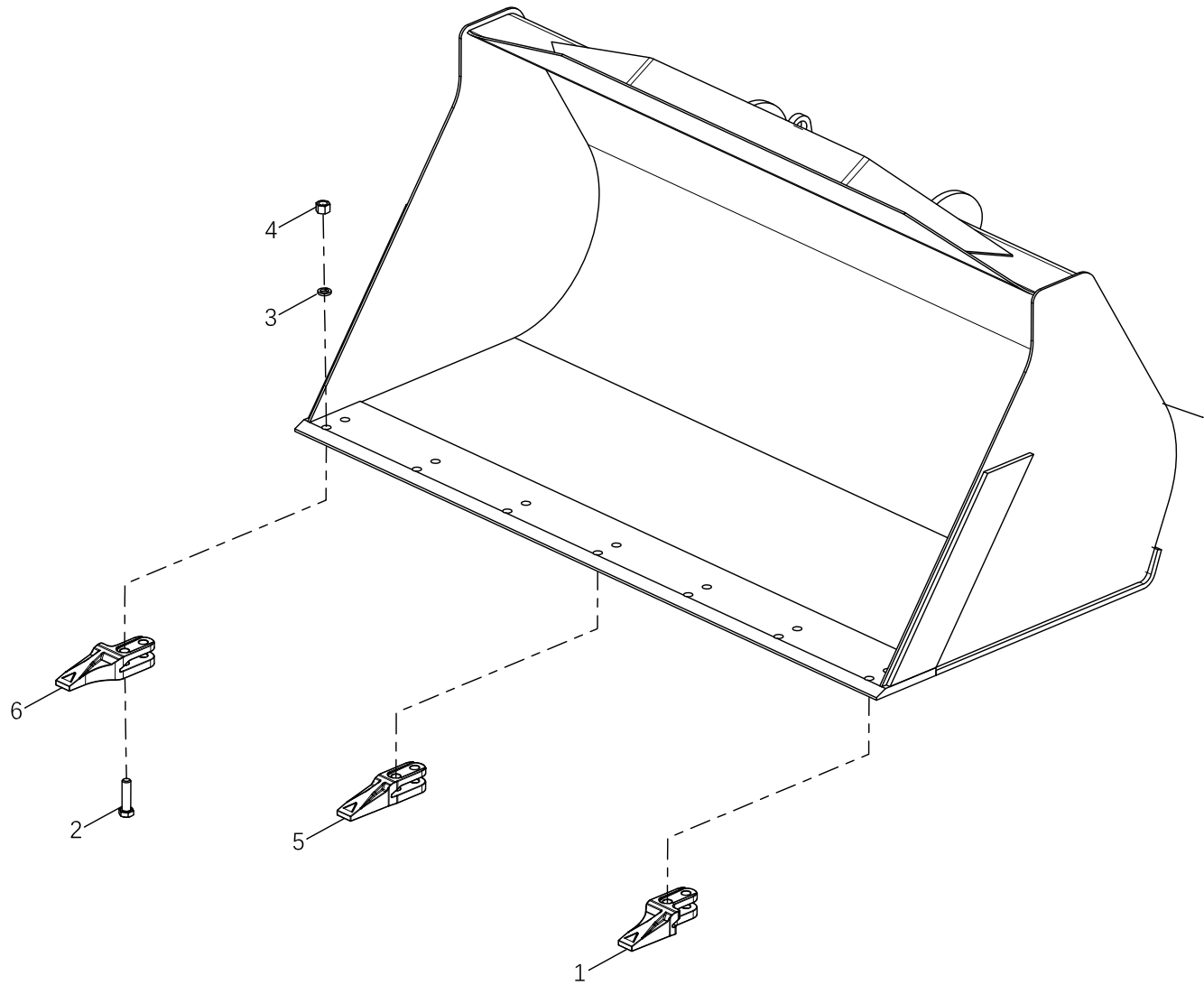
Item	Item no.	Description&Information	Pc.	Unit
1	HG180.91.114	Bucket left tooth	1	pc
2	GB/T5781-2016	Hexagon head bolts M16*60	14	pc
3	GB/T93-1987	Standard elastic washer 16	14	pc
4	GB/T6170-2015	Type 1 hexagonal nut M16	14	pc
5	HG180.91.115	bucket teeth	5	pc
6	HG180.91.116	Bucket right tooth	1	pc
7	HG220.91.011	HG220Bucket welding	1	pc



Bucket assembly

H220 Swedish bucket 1.2 meters 0.35 square meters

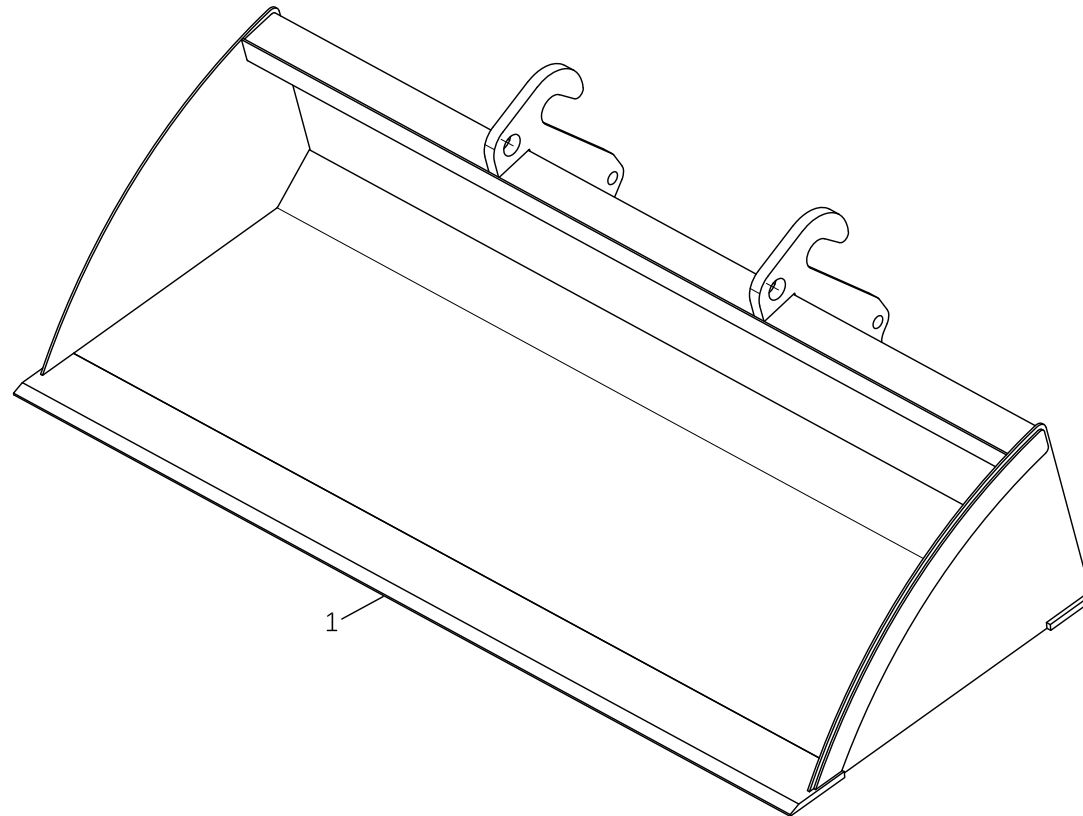
Item	Item no.	Description&Information	Pc.	Unit
1	HG180.91.114	Bucket left tooth	1	pc
2	GB/T5781-2016	Hexagon head bolt M16*60	10	pc
3	GB/T93-1987	Standard elastic washer16	10	pc
4	GB/T6170-2015	Type 1 hexagonal nut M16	10	pc
5	HG180.91.115	bucket teeth	3	pc
6	HG180.91.116	Bucket right tooth	1	pc
7	HG220.91.011	HG220Bucket welding	1	pc



Bucket assembly

H220 Swedish bucket 1.5 meters 0.43 square meters

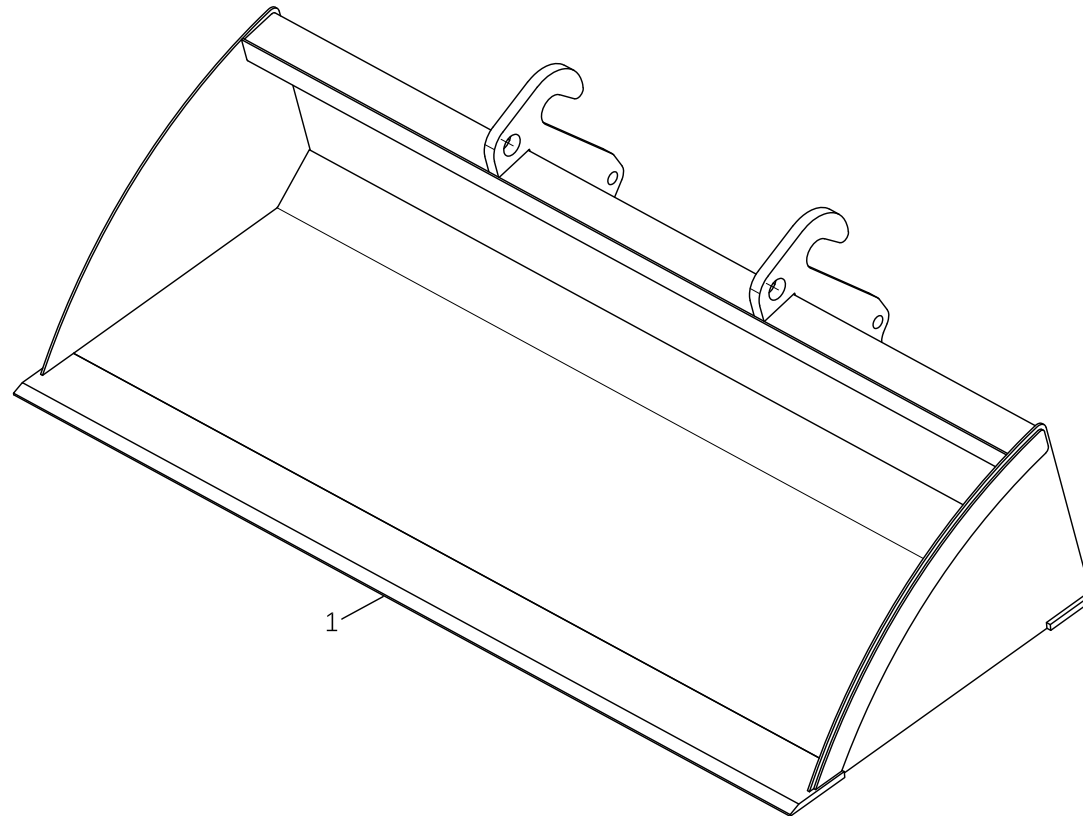
Item	Item no.	Description&Information	Pc.	Unit
1	HG180.91.114	Bucket left tooth	1	pc
2	GB/T5781-2016	Hexagon head bolts M16*60	14	pc
3	GB/T93-1987	Standard elastic washer 16	14	pc
4	GB/T6170-2015	Type 1 hexagonal nut M16	14	pc
5	HG180.91.115	bucket teeth	5	pc
6	HG180.91.116	Bucket right tooth	1	pc
7	HG220.91.011	HG220 Bucket welding	1	pc



Bucket assembly

H220 Swedish flat bucket 1.6 meters

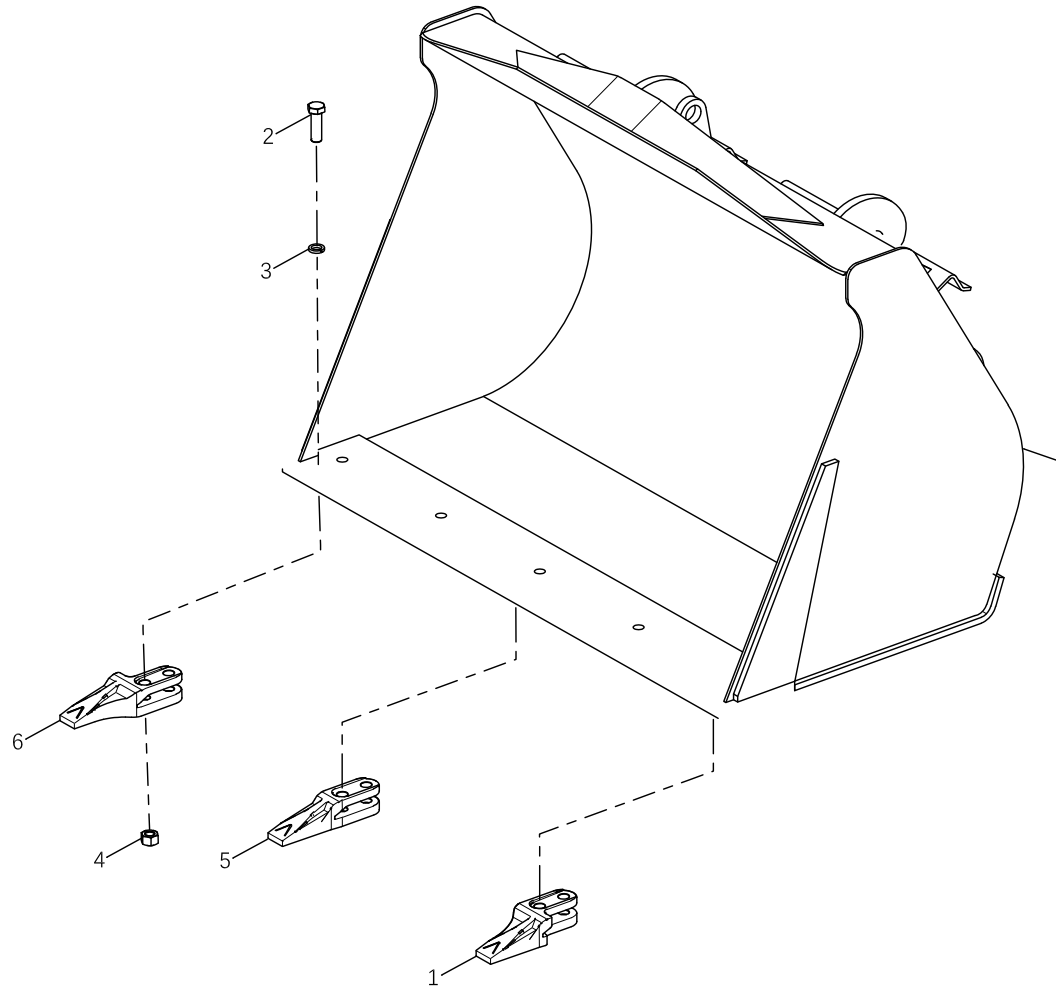
Item	Item no.	Description&Information	Pc.	Unit
1		1.6m flat bucket	1	pc



Bucket assembly

H220 Swedish flat bucket 2 meters

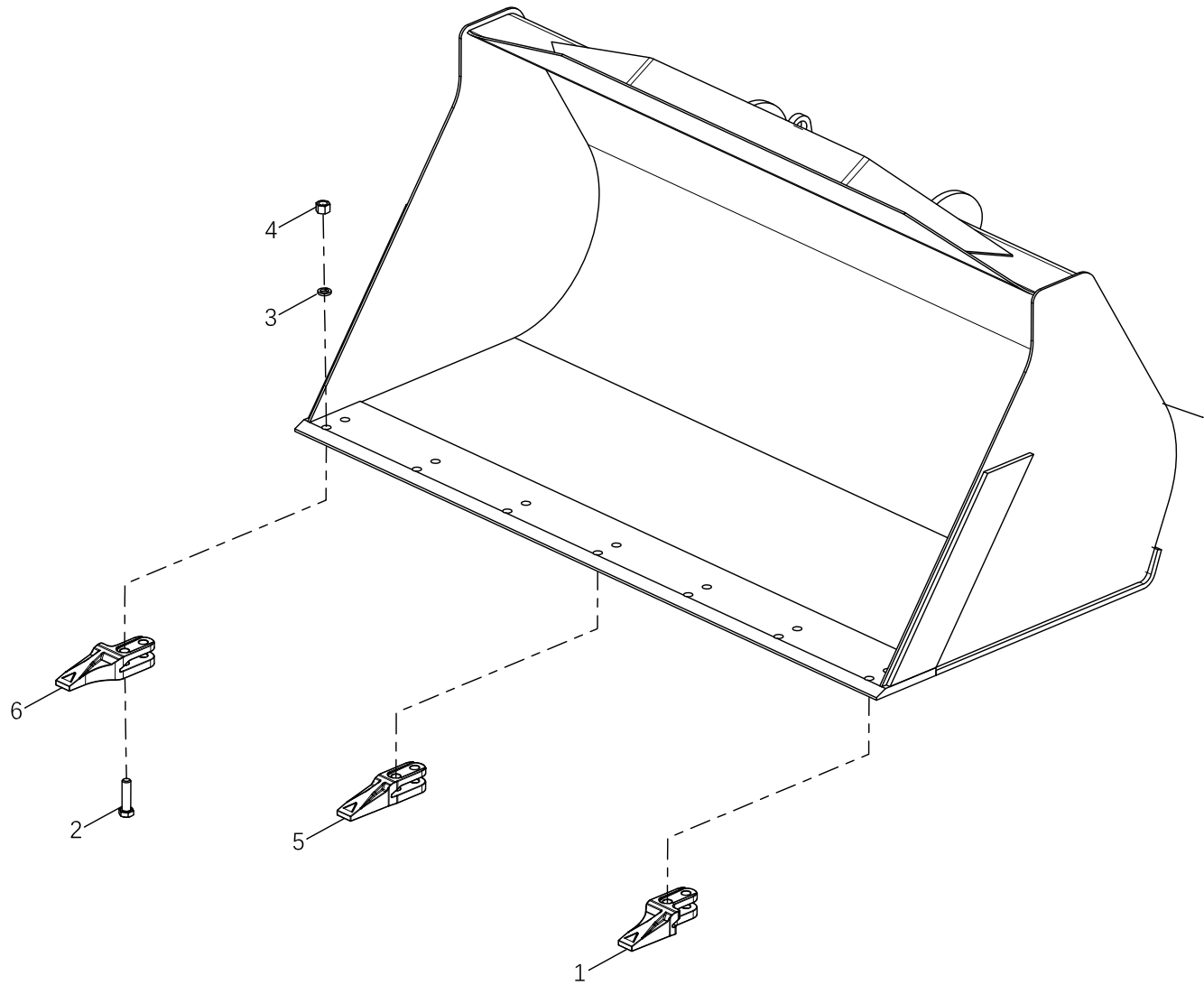
Item	Item no.	Description&Information	Pc.	Unit
1		2m flat bucket	1	pc



Bucket assembly

H220 European bucket 1.2 meters 0.35 cubic meters

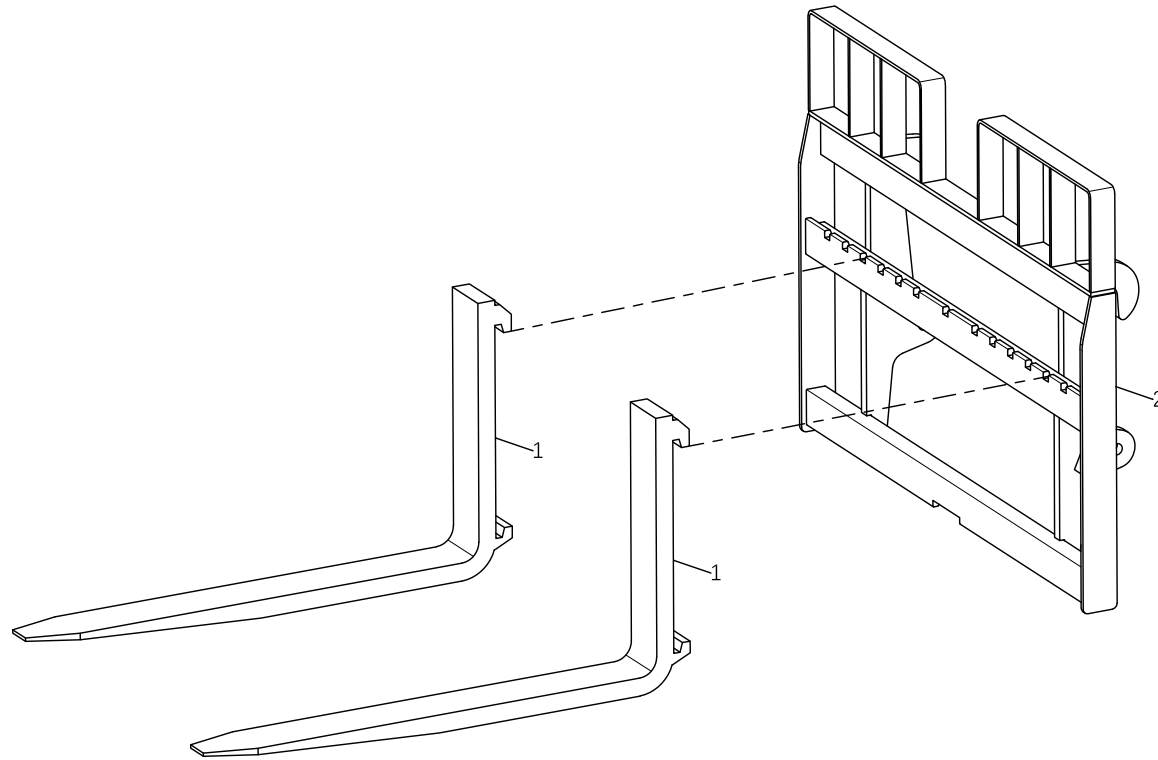
Item	Item no.	Description&Information	Pc.	Unit
1	HG180.91.114	Bucket left tooth	1	pc
2	GB/T5781-2016	Hexagon head bolts M16*60	10	pc
3	GB/T93-1987	Standard elastic washer 16	10	pc
4	GB/T6170-2015	Type 1 hexagonal nut M16	10	pc
5	HG180.91.115	bucket teeth	3	pc
6	HG180.91.116	Bucket right tooth	1	pc
7	HG220.91.011	HG220Bucket welding	1	pc



Bucket assembly

H220 European bucket 1.5 meters 0.43 square meters

Item	Item no.	Description&Information	Pc.	Unit
1	HG180.91.114	Bucket left tooth	1	pc
2	GB/T5781-2016	Hexagon head bolts M16*60	14	pc
3	GB/T93-1987	Standard elastic washer 16	14	pc
4	GB/T6170-2015	Type 1 hexagonal nut M16	14	pc
5	HG180.91.115	bucket teeth	5	pc
6	HG180.91.116	Bucket right tooth	1	pc
7	HG220.91.011	HG220 Bucket welding	1	pc



Assistive devices

Fork

Item	Item no.	Description&Information	Pc.	Unit
1		Fork	2	pc
2	GB/T5781-2016	Fork cylinder model	1	pc

