








H190

Technical data

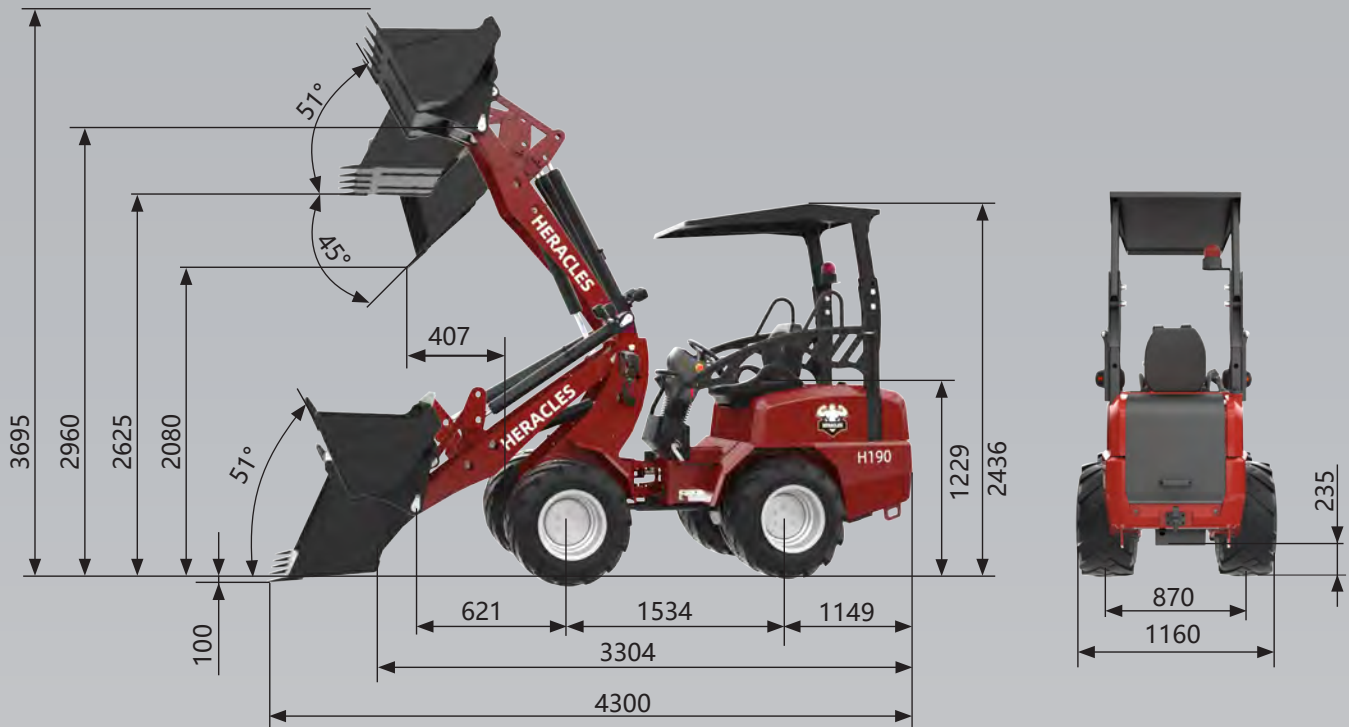


 Max Lifting Capacity	 Engine Power	 Travel Speed	 Hydraulic Flow	 Max Lifting Height
1000 kg	28.2 kw	20 km/h	40 l/min	2.6 m



Technical data	H190
Engine model	YANMAR 3TNV88-BWTY
Fuel type	Diesel
Cylinders	3
Displacement cc	1642
Emission standards	EU Stage V
Max engine output kW	18.4@2000rpm
Max engine torque Nm	107.1@1200rpm
Cooling system	Water
Operating voltage V	12
Battery Ah	70
Operating weight kg	2000
Tipping load ,max kg	1300
Lifting capacity,max kg	1000
Operator's cab	Canopy
Travel speed km/h	0~20
Steering angle °	45
Turn radius inside/outside mm	1282/2790
Standard tires	10.0/75-15.3
Fuel tank capacity l	30
Hydraulic oil tank capacity l	30
Working hydraulic flow l/min	40
Working hydraulic pressure bar	200
Transmission type	Hydrostatic

H190 Dimensions/mm



Tires size	Height	Width
10.0/75-15.3	2513	1160
400/60-15.5		1340

<p>S 1450 kg</p> <p>T 1250 kg</p> <p>U 950 kg</p> <p>V 745 kg</p> <p>W 2000 kg</p> <p>X 1270 kg</p> <p>Y 1000 kg</p>		
--	--	--

Products will continue to be optimized, so the technical data on this page may not be updated in real time.
 For more information at: www.heracles.eu
 Or contact us (contact information is on the back cover).