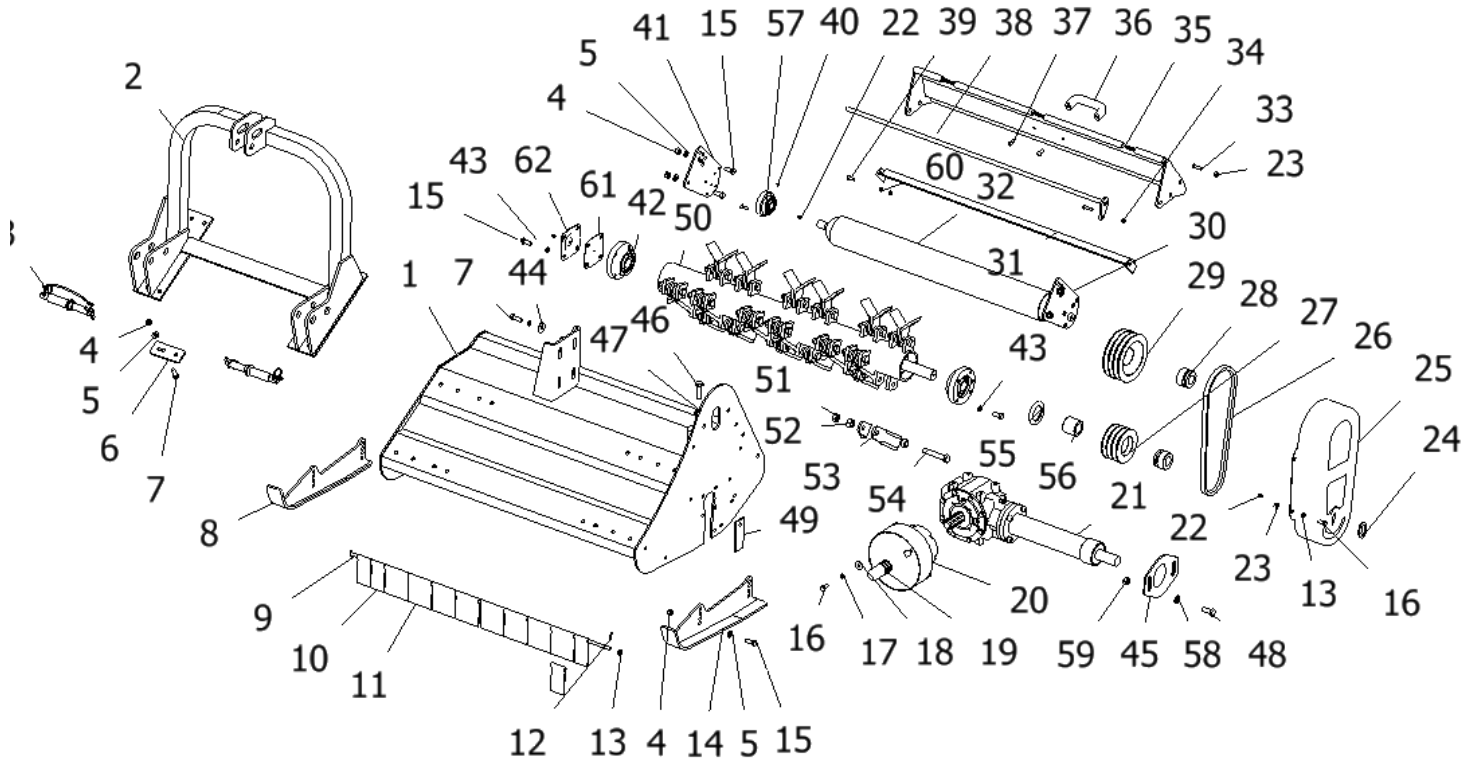


# EFGCMZ

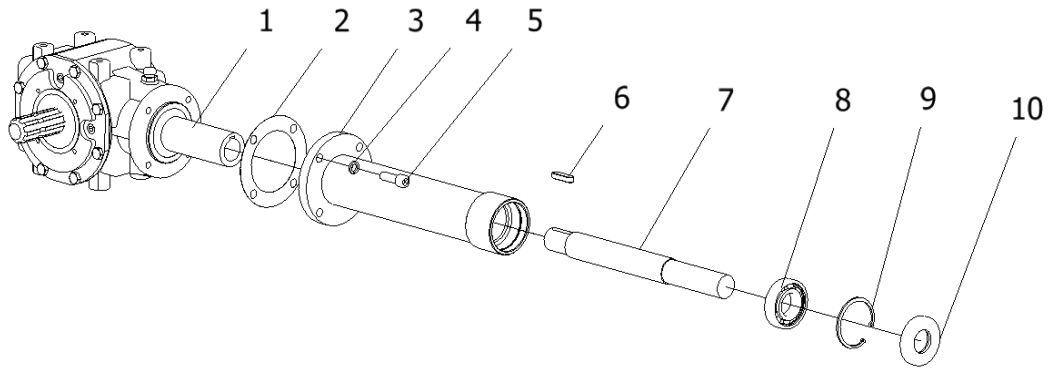


EFGCMZ(105-220)					
Item	Article no.	Part no.	Name	Qty	remark
1	802000001	EFGCHMZ100.011	hood (105)	1	EFGCMZ105
1(2)	802010001	EFGCHMZ110.011	hood (115)	1	EFGCMZ115
1(3)	802020001	EFGCHMZ120.011	hood (125)	1	EFGCMZ125
1(4)	802030001	EFGCHMZ130.011	hood (135)	1	EFGCMZ135
1(5)	802040001	EFGCHMZ140.011	hood (145)	1	EFGCMZ145
1(6)	802050001	EFGCHMZ150.011	hood (155)	1	EFGCMZ155
1(7)	802060001	EFGCHMZ160.011	hood (165)	1	EFGCMZ165
1(8)	802070001	EFGCHMZ170.011	hood (175)	1	EFGCMZ175
1(9)	810020001	EFGCHMZ200.011	hood (200)	1	EFGCMZ200
1(10)	810100001	EFGCHMZ220.011	hood (220)	1	EFGCMZ220
2	801680014	EFGCHM120.014B	suspension weldment	1	EFGCMZ105-175
2(1)	801740006	EFGCHM200.014	suspension weldment	1	EFGCMZ200-220
3	802480066	EFAG140.014	below suspension pin assembly(140-180)	2	EFGCMZ105-175
3(1)	702480065	EFAG140.114A	below pull rod connecting shaft(140-180)	2	EFGCMZ200-220
4	503010763	DIN985-M12	hexagonal locking thin nut	16	
5	506010057	GB97.1-12	plain washer	16	
6	701680001	EFGCHM120.101	spacer	4	
7	501011127	GB5783-M12x35	screw bolt	12	
8	801240019	EFGC120.013	left pedestal	1	
9	700940005	EF100.00.123	shield hanging rod(105)	1	EFGCMZ105
9(1)	700950005	EF110.00.123	shield hanging rod(115)	1	EFGCMZ115
9(2)	700960009	EF120.00.123	shield hanging rod(125)	1	EFGCMZ125
9(3)	700970005	EF130.00.123	shield hanging rod(135)	1	EFGCMZ135
9(4)	700980005	EF140.00.123	shield hanging rod(145)	1	EFGCMZ145
9(5)	700990019	EF150.00.123	shield hanging rod(155)	1	EFGCMZ155
9(6)	701000005	EF160.00.123	shield hanging rod(165)	1	EFGCMZ165
9(7)	701010005	EF170.00.123	shield hanging rod(175)	1	EFGCMZ175
9(8)	701010006	EF200.00.123	shield hanging rod(200)	1	EFGCMZ200
9(9)	701010007	EF220.00.123	shield hanging rod(220)		EFGCMZ220
10	700920107	EF100.00.121	shield	4	
11	700920108	EF100.00.122	wide shield	8	
12	508011473	GB879.1-4x25	heavy elastic cylindrical pin	2	
13	506010056	GB97.1-10	plain washer	18	
14	801240022	EFGC120.014	right pedestal weldment	1	
15	501011126	GB5783-M12x30	screw bolt	16	
16	501011112	GB5783-M10x25	screw bolt	8	
17	506030036	GB93-10	spring washer	4	
18	506010036	GB96.1-10	extra large plain washer	4	
19	702420030	EF100.00.177	gear box input shaft rust-roof cover	1	
20	703400008	FM120.00.199	transmission shaft cover	1	
21	801240026	EFGC100.015	transmission box	1	EFGCMZ105-115

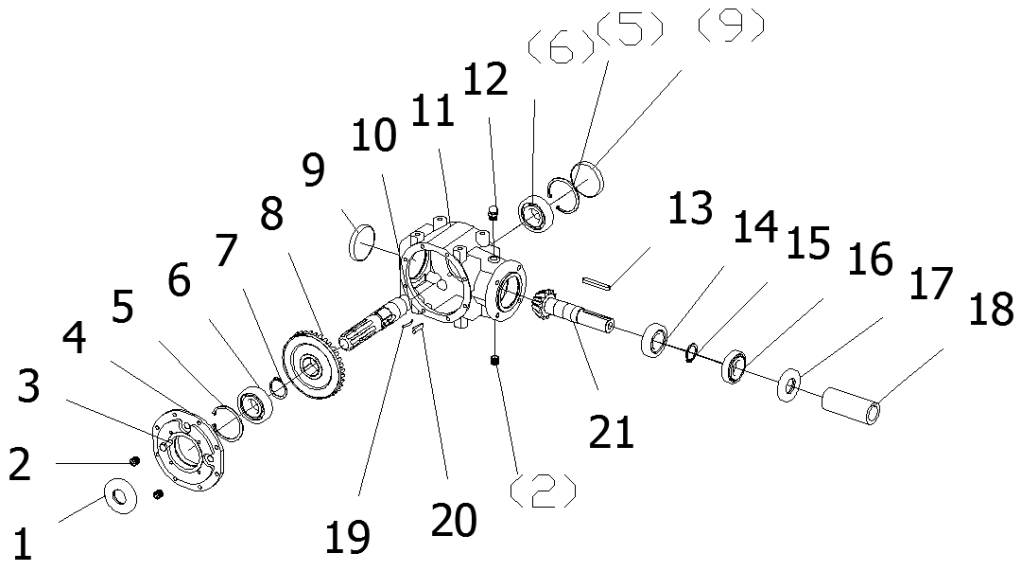
21(1)	801240027	EFGC130.015	transmission box	1	EFGCMZ125-175
21(2)	802520114	EFGCH200.021A-X	transmission box	1	EFGCMZ200-220
22	509010008	GB1152-M8X1	oil cup	4	
23	503010310	GB6184-M10	all metal locking nut	6	
24	701240046	EFGC120.138	U cover	1	
25	701250006	EFGC120.111	belt pulley shield cover	1	EFGCMZ105-175
25(1)	706160004	EFGC200.111	belt pulley shield cover	1	EFGCMZ200-220
26	514010001	17X991	cog belt	3	
27	701160006	EFG120.105A	small belt pulley (three cell)	1	
28	515010001	REACH04-35X60	power lock cover	2	EFGCMZ105-175
28(1)	515010007	REACH04-45X60	power lock cover	2	EFGCMZ200-220
29	701160007	EFG120.106A	Big belt pulley (three cell)	1	
30	801160004	EFG120.018	Left roller supporting plate	1	
31	801140008	EFG100.024	(L=1040) Scraper weldment(105)	1	EFGCMZ105
31 (1)	801150008	EFG110.024	(L=1140) Scraper weldment(115)	1	EFGCMZ115
31 (2)	801160030	EFG120.024	(L=1240) Scraper weldment(125)	1	EFGCMZ125
31 (3)	801170008	EFG130.024	(L=1340) Scraper weldment(135)	1	EFGCMZ135
31 (4)	801180008	EFG140.024	(L=1440) Scraper weldment(145)	1	EFGCMZ145
31 (5)	801190008	EFG150.024	(L=1540) Scraper weldment(155)	1	EFGCMZ155
31 (6)	801200008	EFG160.024	(L=1640) Scraper weldment(165)	1	EFGCMZ165
31 (7)	801210008	EFG170.024	(L=1740) Scraper weldment(175)	1	EFGCMZ175
31 (8)	801130012	EFG200.024	(L=1990) Scraper weldment(200)	1	EFGCMZ200
31 (9)	801130013	EFG220.024	(L=2190) Scraper weldment(220)	1	EFGCMZ220
32	801140017	EFG100.012	(L=1227) Roller weldment(105)	1	EFGCMZ105
32 (1)	801150004	EFG110.012	(L=1127) Roller weldment(115)	1	EFGCMZ115
32 (2)	801160017	EFG120.012	(L=1227) Roller weldment(125)	1	EFGCMZ125
32 (3)	801170004	EFG130.012	(L=1327) Roller weldment(135)	1	EFGCMZ135
32 (4)	801180004	EFG140.012	(L=1427) Roller weldment(145)	1	EFGCMZ145

32 (5)	801190004	EFG150.012	(L=1527) Roller weldment(155)	1	EFGCMZ155
32 (6)	801200004	EFG160.012	(L=1627) Roller weldment(165)	1	EFGCMZ165
32 (7)	801210004	EFG170.012	(L=1727) Roller weldment(175)	1	EFGCMZ175
32 (8)	801160036	EFG200.012	(L=1977) Roller weldment(200)	1	EFGCMZ200
32 (9)	801160041	EFG220.012	(L=2177) Roller weldment(220)	1	EFGCMZ220
33	501011101	GB5783-M8x30	screw bolt	3	
34	503010761	DIN985-M8	hexagonal locking thin nut	3	
35	802000005	EFGCHMZ100.017	back shield(105)	1	EFGCMZ105
35(1)	802010005	EFGCHMZ110.017	back shield(115)	1	EFGCMZ115
35(2)	802020005	EFGCHMZ120.017	back shield(125)	1	EFGCMZ125
35(3)	802030005	EFGCHMZ130.017	back shield(135)	1	EFGCMZ135
35(4)	802040005	EFGCHMZ140.017	back shield(145)	1	EFGCMZ145
35(5)	802050005	EFGCHMZ150.017	back shield(155)	1	EFGCMZ155
35(6)	802060005	EFGCHMZ160.017	back shield(165)	1	EFGCMZ165
35(7)	802070005	EFGCHMZ170.017	back shield(175)	1	EFGCMZ175
35(8)	810020005	EFGCHMZ200.017	back shield(200)	1	EFGCMZ200
35(9)	810100003	EFGCHMZ220.017	back shield(220)	1	EFGCMZ220
36	705290212	RKH120-BS	handle	1	
37	505011415	GB70.1-M8x20	hexagon socket cap screw	2	
38	802550026	AGZ-100.017	strand rod(100)	1	EFGCMZ105
38(1)	802550027	AGZ-110.017	strand rod(110)	1	EFGCMZ115
38(2)	802550028	AGZ-120.017	strand rod(120)	1	EFGCMZ125
38(3)	802550029	AGZ-130.017	strand rod(130)	1	EFGCMZ135
38(4)	802550024	AGZ-140.017	strand rod(140)	1	EFGCMZ145
38(5)	802550030	AGZ-150.017	strand rod(150)	1	EFGCMZ155
38(6)	802560024	AGZ-160.017	strand rod(160)	1	EFGCMZ165
38(7)	802570026	AGZ-170.017	(L=1732) strand rod(170)	1	EFGCMZ175
38(8)	802590034	AGZ-200.017	strand rod(200)	1	EFGCMZ200
38(9)	802600034	AGZ-220.017	strand rod(220)	1	EFGCMZ220
39	501030185	GB70.3-M8x25	Hexagon socket sunk screw	10	
40	509010007	GB1152-M6	oil cup	2	
41	801160001	EFG120.017	right roller support plate	1	
42	511040033	UC207-Z	mounted bearing	2	EFGCMZ105-175
42(1)	511040009	UC208	mounted bearing	2	EFGCMZ200-220
43	506030037	GB93-12	spring washer	12	
44	506010037	GB96.1-12	extra large plain washer	4	
45	701240007	EFGC120.102A	tensioning plate	1	EFGCMZ105-175

45(1)	706160003	EFGC200.102	tensioning plate	1	EFGCMZ200-220
46	501011905	GB5786-M16x1.5x50	fin thread screw bolt	1	
47	503010137	GB6173-M16x1.5	fin tread thin nut	1	
48	501011141	GB5783-M14x35	screw bolt	2	
49	701160033	EFG120.103	rabbet shield	1	
50	801140010	EFG100.013A	(L=1003) blade shaft (105)	1	EFGCMZ105
50 (1)	801150010	EFG110.013A	(L=1103) blade shaft (115)	1	EFGCMZ115
50 (2)	801160038	EFG120.013A	(L=1203) blade shaft (125)	1	EFGCMZ125
50 (3)	801170010	EFG130.013A	(L=1303) blade shaft (135)	1	EFGCMZ135
50 (4)	801180010	EFG140.013A	(L=1403) blade shaft (145)	1	EFGCMZ145
50 (5)	801190010	EFG150.013A	(L=1503) blade shaft (155)	1	EFGCMZ155
50 (6)	801200010	EFG160.013A	(L=1603) blade shaft (165)	1	EFGCMZ165
50 (7)	801210010	EFG170.013A	(L=1703) blade shaft (175)	1	EFGCMZ175
50 (8)	802080080	EFG200.013A-G2	blade shaft (200)	1	EFGCMZ200
50 (9)	802080085	EFG220.013A-G2	blade shaft (220)	1	EFGCMZ220
51	503010765	DIN985-M16	Hexagon locking thin nut	24	
52	701240008	EFGC120.103	blade apron spacer bush	48	
53	701240009	EFGC120.104	blade	48	
54	501011565	GB5785-M16x1.5x90	fin thread half thread bolt	24	
55	510020417	GB13871-FB-55x80x8	FB oil seal	1	EFGCMZ105-175
55 (1)	510020397	CFW-60X85X8	FB oil seal	1	EFGCMZ200-220
56	705380013	RK120.109	(L=33) oil seal cover	1	EFGCMZ105-175
56 (1)	702080005	G2-150.105	oil seal cover	1	EFGCMZ200-220
57	511040007	EF100.00.012	Flange seat bearing UC205	2	
58	506010058	GB97.1-14	plain washer	2	
59	503010764	DIN985-M14	hexagon locking thin nut	2	
60	506010055	GB97.1-8	plain washer	2	
61	701520010	EFG120.169	grease nipple cover paper washer	1	
62	701520006	EFG120.168	grease nipple cover	1	



Transmission box					
Item	Article no.	Part no.	Name	Qty	remark
1	801240040	XH50.300Z.02W	EFGC884) gear box assembly	1	EFGCMZ105-175
1 (2)	801380003	XH50.300Z.02-200	(EFGCM200) gear box assembly	1	EFGCMZ200-220
2	701240024	EFGC120.131	paper washer	1	
3	801220004	EFGC100.018A	(EFGC100-110) (L=358)shaft tube	1	EFGCMZ105-115
3(1)	801240004	EFGC120.018A	(EFGC120-170)(L=444) shaft tube	1	EFGCMZ125-175
3(2)	801600032	EFGCH200.026A	(EFGCHZ/M/H-200) (L=640) shaft tube	1	EFGCMZ200-220
4	506030037	GB93-12	spring washer	4	
5	505011445	GB70.1-M12x35	hexagon socket cap screw	4	
6	507010086	GB1096-A-10x8x40	A flat key	1	
7	701220003	EFGC100.133A	(EFGC105-115) (L=354) shaft	1	
8	511021528	GB276-6207-2RS	2RS deep groove ball bearing	1	EFGCMZ105-175
8(1)	511021667	GB276-6208-2RS	2RS deep groove ball bearing	1	EFGCMZ200-220
9	506060188	GB893.1-72	A checking ring	1	EFGCMZ105-175
9(1)	506060191	GB893.1-80	A checking ring	1	EFGCMZ200-220
10	510020640	GB13871-FB-35X72X12	FB oil seal	1	EFGCMZ105-175
10(1)	510020405	GB13871-FB-40X80X10	FB oil seal	1	EFGCMZ200-220



Item	Article no.	Part no.	Name	Qty	remark
1	510020638	GB13871-FB-35x80x10	FB oil seal	1	
2	516010003	ZBT32001.3-ZG3/8-19"	hexagon socket tapered plug	3	
3	501011112	GB5783-M10x25	Screw bolt	8	
4	702480003	AG14.01.C03	shell cap	1	
5	506060191	GB893.1-80	A check ring	2	
6	511022654	GB276-6307	Deep groove ball bearing	2	
7	506060322	GB894.1-42	A shaft check ring	1	
8	702480005	AG14.01.C05	driving gear	1	EFGCMZ105-175
8(1)	702080002	AG14.01.C05-G2	driving gear	1	EFGCMZ200-220
9	703340013	NFG-RCA-80X10	80X10 blanking cap	2	
10	701240041	GC175.01.C04A	input shaft	1	
11	702480003	AG14.01.C03	shell cap	1	
12	705290211	CBW-00-011B	air plug screw	1	
13	507010091	GB1096-A-10X8X70	A flat key	1	
14	511016440	GB297-32207	Tapered roller bearing	1	
15	506060515	JB4342-35	Check ring	1	
16	511016411	GB297-30207	Tapered roller bearing	1	
17	510020398	CFW-35X72X10	FB oil seal	1	
18	701240025	EFGC120.132	Connecting sleeve	1	
19	702480007	AG14.01.C07	leaf spring	1	
20	702480006	AG14.01.C06	键 key	3	
21	702480001	AG14.01.C01	output shaft gear	1	EFGCMZ105-175
21(1)	702080001	AG14.01.C01-G2	output shaft gear	1	EFGCMZ200-220