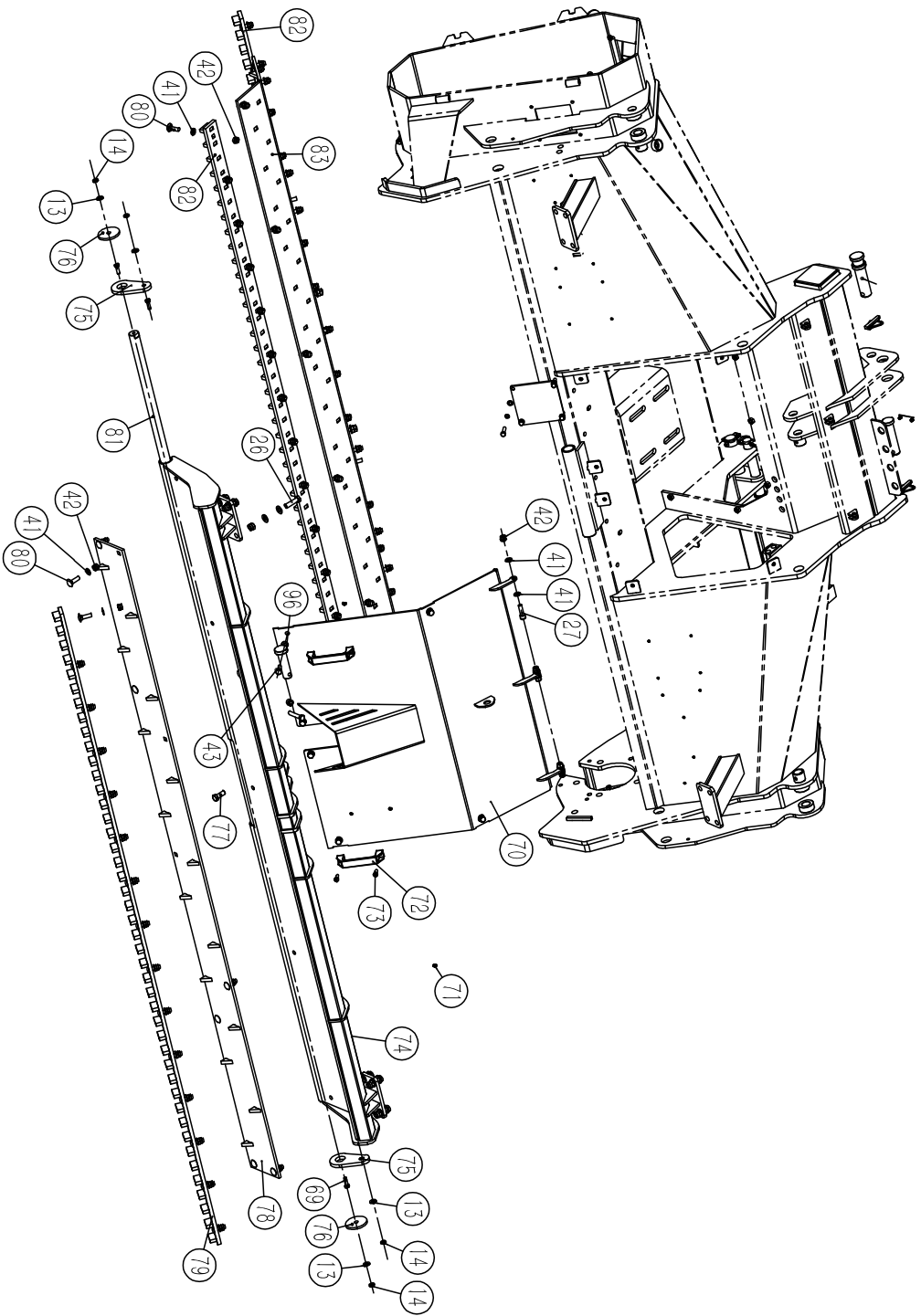
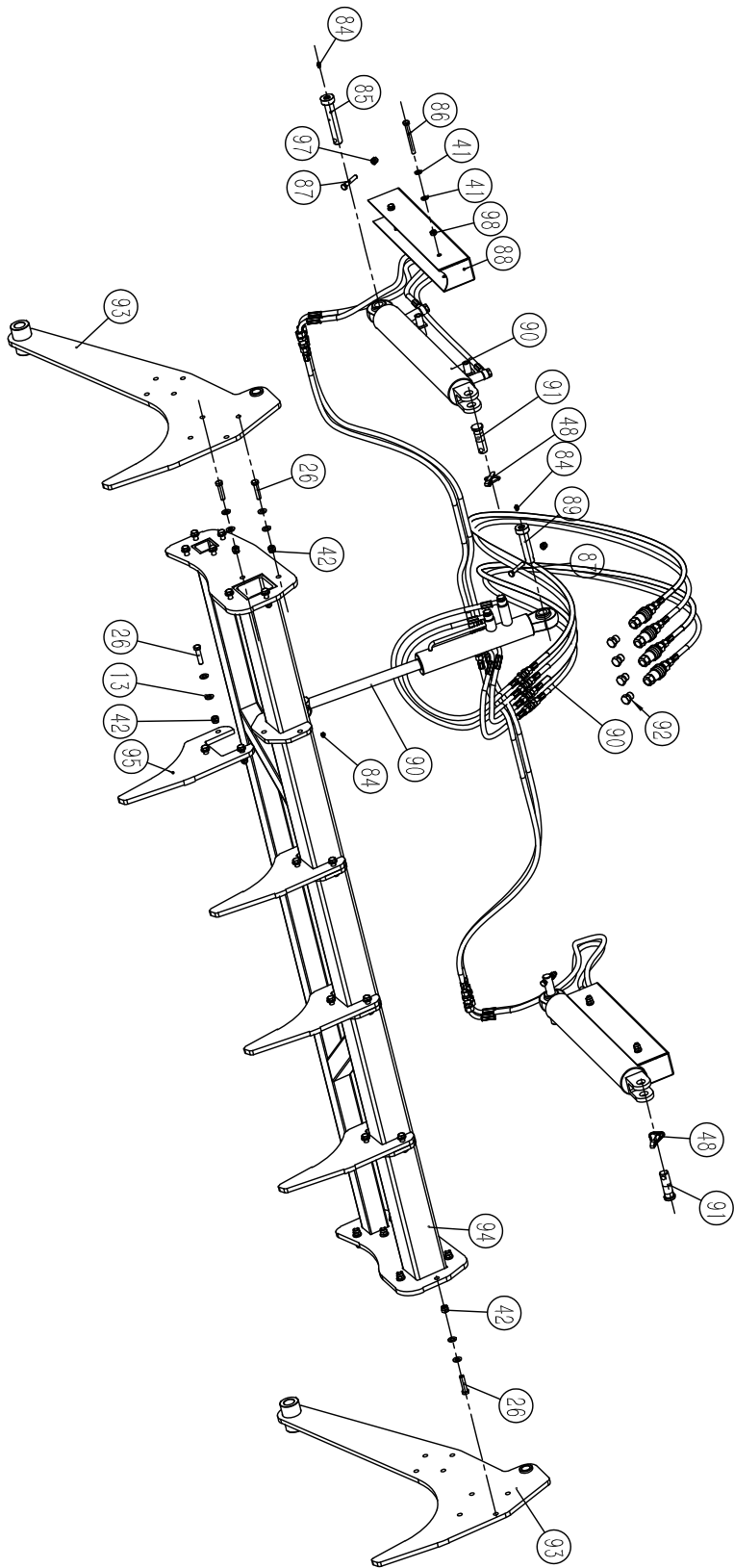


1、啃树机总成-4



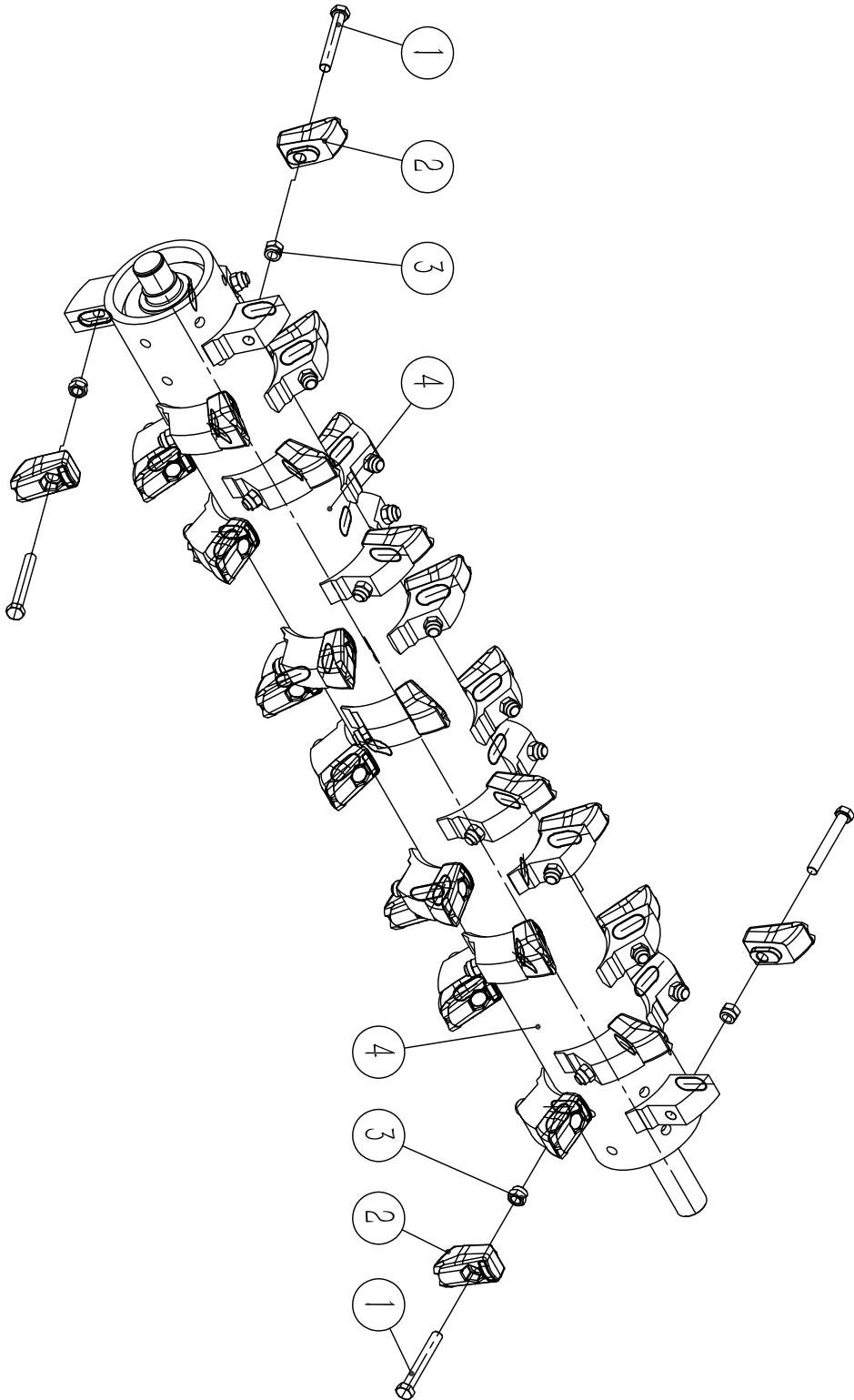


Main part part list

No.	Code	Description	Qty	R
1	GB/T 12730-2018	V belt XPB1540	7	
2	FRM225.10	Big Pulley	1	
3	JB/T 7934	Power lock 45*80	1	
4	JB/T 7940.1	Grease nipple M10*1	3	
5	M10X1-6X4	Connection	4	
6	FRM225.24	Grease tube 01	1	
7	M6X1-6X4	Connection	2	
8	FRM225.41	Grease tube 02	1	
9	FRM225.6	Tranmission assemble	1	
10	GB/T 5865	Bolt M16*1.5*65	6	
11	FRM225.35	Plate for oil pipe	1	
12	GB/T 93	Spring washer 16	2	
13	GB/T 97.1	Plain washer 12	127	
14	GB/T 93.1	Spring washer 16	33	
15	GB/T 96	Big washer 16	4	
16	FRM225.1	Rotor assemble	1	
17	GB/T893.1	Inner circlip 115	2	
18	GB/T 13871	Oil seal FB75*115*8	2	
19	GB/T 893.1	shield ring 130	2	
20	KDK300.21	Ring for grass	2	
21	PUM180.11	Rotor bearing seat 02	1	
22	GB/T 281	Bearing 2312	2	
23	GB/T 894.1	Shaft ring	1	
24	PUM18.16-01	Cover	1	
25	FRM225A.51	Grease tube by side	1	
26	GB/T 5783	Bolt M12*45	62	
27	GB/T 70.1	Bolt M10*35	11	
28	FRM225.12	Rotor bearing seat 01	1	
29	GB/T 13871	Oil seal FB60*130*10	1	
30	PUM180.10	Plate for bearing	1	
31	JB/T 7934	Power lock 60*90	1	
32	FRM225.11	Small pulley	1	
33	GB/T 6182	Locking nut	4	
34	FRM225.32	Bushing	140	
35	FRM225.31	Chain 8mm	138	
36	FRM225.16	Bar	2	
37	FRM225.48	Plate for Gearbox	1	
38	FRM225.36	Cover for Gearbox	1	
39	GB/T 5783	Bolt M6*12	5	
40	GB/T 93.1	Spring washer 6	24	
41	GB/T 70.1	Plain washer 10	130	

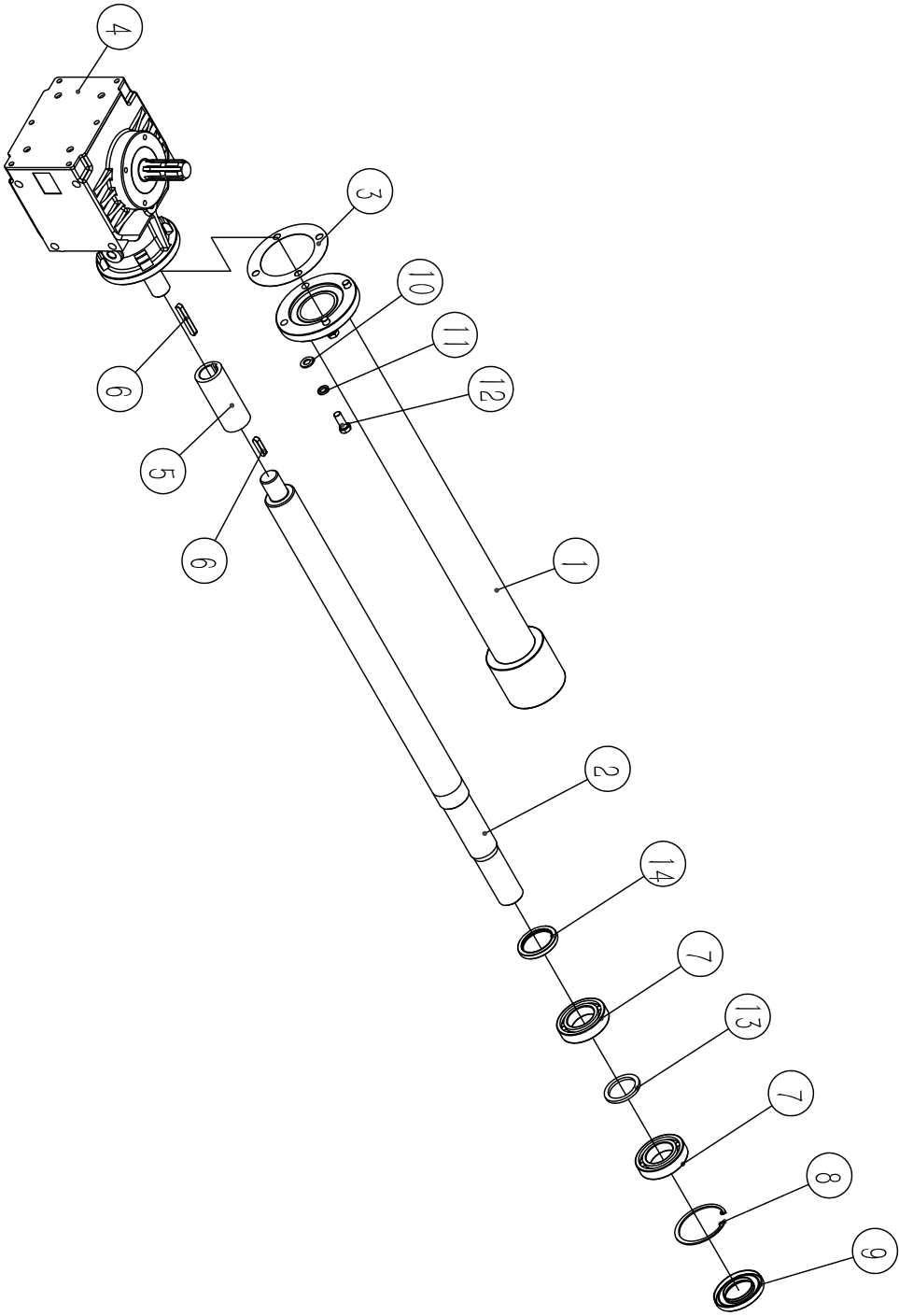
42	GB/T 6182	Locking nut M12	121	
43	GB/T 5783	Bolt M10*35	33	
44	FRM225.5	Front cover weldment 01	1	
45	FRM225.21	Belt cover plate 01	1	
46		32 rubber plug	2	
47	FRM225.47	Front cover logo bottom plate	2	
48	DIN 11023	Lock pin 11*40	9	
49	FRM225.49	Down pin	2	
50	FRM225A.54	Stand feet	2	
51	1G135.00.107	Pin for stand feet	2	
52	GB/T 6170	Nut M16	2	
53	FRM225.22	Tension plate weldment	1	
54	FRM225.17	Down pin	2	
55	VBM260DX.4	Top pin	1	
56	FRM225.28	Front cover weldment 02	1	
57	VBM140.109	Top pin	1	
58	FRM225A.2	Mower deck weldment	1	
59	FRM225A.15	Skid 01	1	
60	FRM225A.53	Hand weldment	2	
61	GB/T 62.1	Butterfly nut	2	
62	GB/T 5783	Bolt M12*70	2	
63	FRM225A.19	Belt cover weldment	1	
64	FRM225A.40	Plate	2	
65	FRM225.30	LOGO plate weldment	2	
66	FRM225.23	Belt cover plate 02	1	
67	FRM225A.42	Skid 02	1	
68	FRM225A.50	Cover assemble	1	
69	GB/T 5783	Bolt M8*40	10	
70	FRM225.26	Back cover weldment	1	
71	JB/T 7940.1	Grease nipple M6*1	2	
72	FRM225.27	Hand 120	2	
73	GB/T 65	Bolt M8*20	4	
74	FRM225A.7	Back cover weldment	1	
75	FRM225.18	Plate	2	
76	FRM225.14	Cover	2	
77	GB/T 5783	Bolt M12*30	1	
78	FRM225.39	Plate	1	
79	FRM225.8	Counter blade weldment	1	
80	GB/T 14	Bolt M10*35	71	
81	FRM225.9	Round tube	1	
82	FRM225.4	Plate for counter blade	2	
83	FRM225.3	Plate	1	
84	JB/T 7940.1	Grease nipple M8*1	4	
85	FRM225.20	Pin for stand feet	2	
86	GB/T 5783	Bolt M10*100	4	
87	GB/T 5783	Bolt M10*55	4	

88	FRM225A.52	Plate	2	
89	FRM225.44	Pin	1	
90	FRM225A.25	Hydraulic system	1	
91	FRM225.45	Pin	2	
92	FRM225.38	Connection	4	
93	FRM225.13	Plate	2	
94	FRM225.33	Bracket	1	
95	FRM225.34	Teeth plate	4	
96	WSG37.24	Pin 02	1	
97	GB/T 6182	Lockingh nut M10	8	
98	GB/T 6170	Nut M10	8	
99	EFGC125.110	R pin 3.2	2	



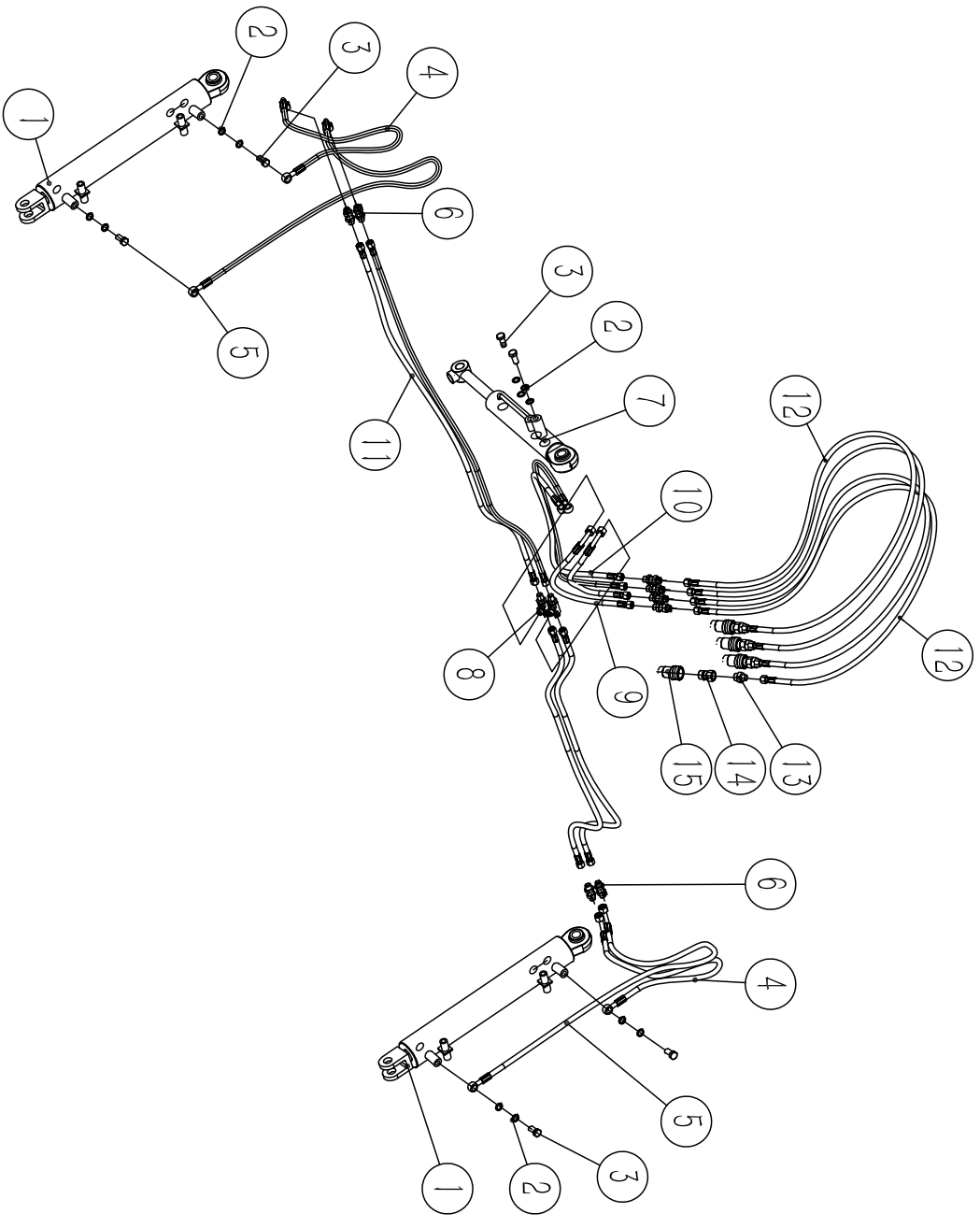
Rotor assemble part list

No.	Code	Description	Remark
1	GB/T 5865	Bolt M20*1.5*140	
2	FRM225.1-2	Teeth	
3	GB/T 889.2	Lock nut M20*1.5	
4	FRM225.1.1	Rotor weldment	



Transmission assemble part list

No.	Code	Description	Qty	Remark
1	FRM225.6.1	Shaft tube weldment	1	
2	FRM225.6-2	Shaft	1	
3	AG280.16-4	Gasket	1	
4	XH75.165Z.02WW	Gearbox 75HP	1	
5	EFGC125.167	Connection bushing	1	
6	GB/T1096	A key 10*40	2	
7	GB/T276-94	Bearing 6210	2	
8	GB/T13871	Circlip 90	1	
9	GB/T 13871	Oil seal FB50*90*8	1	
10	GB/T 97.1	Plain washer 12	4	
11	GB/T 93.1	Spring washer 12	4	
12	GB/T5783	Bolt M12*30	4	
13	KDK300.15.2	Bushing	1	
14	GB/T 13871.1	Oil seal FB55*72*8	1	



Hydraulic system Part list

No.	Code	Description	Qty	Reamrk
1	FRM225A.25.3	Cylinder	2	
2	JBT 982	Combine washer 16	12	
3	GB/T 3750.3	Bolt M16*1.5	6	
4	FRM225.25.9	Cylinder 02	1	
5	FRM225.25-4	Oil pipe	1	
6	FRM225.25-7	Oil pipe connection	8	
7	FRM225.25.1	Cylinder	1	
8	ZG72.7	Connection	2	
9	FRM225.25-8	Oil pipe 02	1	
10	FRM225.25-2	Oil pipe	1	
11	FRM225.25-6	Connection	1	
12	FRM225.25-5	Oil pipe	1	
13	GE10LR12EDOMD	Quick couple G1/2, M16*1.5	4	
14	GB/T 5862	Quick couple G1/2,	4	
15	LSQ-S1-04SF	Quick couple G1/2	4	
16	GE10LR12EDOMD	Connection G1/2 M16*1.5	4	